



Main

Range of product	Altivar
Product or component type	Line/Motor choke
Product compatibility	<p>ATV31CD11N4 - line choke - 1 per drive</p> <p>ATV61HU40M3 - line choke - 1 per drive</p> <p>ATV61HU55M3 - line choke - 1 per drive</p> <p>ATV31CD11N4 - motor choke - 1 per drive</p> <p>ATV31CD15N4 - line choke - 1 per drive</p> <p>ATV31CU75N4 - motor choke - 1 per drive</p> <p>ATV61HD11N4 - line choke - 1 per drive</p> <p>ATV61HD15N4 - line choke - 1 per drive</p> <p>ATV61HD18Y - line choke - 1 per drive</p> <p>ATV61HD22Y - line choke - 1 per drive</p> <p>ATV61WD11N4 - line choke - 1 per drive</p> <p>ATV61WD11N4C - line choke - 1 per drive</p> <p>ATV61WD15N4 - line choke - 1 per drive</p> <p>ATV61WD15N4C - line choke - 1 per drive</p> <p>ATV71HD11N4 - line choke - 1 per drive</p> <p>ATV71HD15N4 - line choke - 1 per drive</p> <p>ATV71HD18Y - line choke - 1 per drive</p> <p>ATV71HD22Y - line choke - 1 per drive</p> <p>ATV71HU40M3 - line choke - 1 per drive</p> <p>ATV71HU55M3 - line choke - 1 per drive</p> <p>ATV312HD11N4 - line choke - 1 per drive</p> <p>ATV312HD15N4 - line choke - 1 per drive</p> <p>ATV312HD15S6 - line choke - 1 per drive</p> <p>ATV312HU40M3 - line choke - 1 per drive</p> <p>ATV312HU55M3 - line choke - 1 per drive</p> <p>ATV312HU75M3 - line choke - 1 per drive</p> <p>LXM32.D30N4 - line choke - 1 per drive</p> <p>LXM32.D72N4 - line choke - 1 per drive</p> <p>ATV312HD11N4 - motor choke - 1 per drive</p> <p>ATV312HD15S6 - motor choke - 1 per drive</p> <p>ATV312HU40M3 - motor choke - 1 per drive</p> <p>ATV312HU55M3 - motor choke - 1 per drive</p> <p>ATV312HU75M3 - motor choke - 1 per drive</p> <p>ATV312HU75N4 - motor choke - 1 per drive</p> <p>ATV312HD11S6 - motor choke - 1 per drive</p> <p>ATV12HU40M3 - motor choke - 1 per drive</p> <p>ATV12PU40M3 - motor choke - 1 per drive</p>

LXM32.D18N4 - line choke - 1 per drive
 ATV32HD11N4 - line choke - 1 per drive
 ATV32HD11N4 - motor choke - 1 per drive
 ATV32HD15N4 - line choke - 1 per drive
 ATV32HU75N4 - motor choke - 1 per drive
 ATV71PD11N4Z - line choke - 1 per drive
 ATV71WD11N4 - line choke - 1 per drive
 ATV71WD15N4 - line choke - 1 per drive
 LXM32MD85N4 - line choke - 1 per drive
 LXM32MC10N4 - line choke - 1 per drive
 Variable speed drive ATV310 motor : 7.5 kW - line choke - 1 per drive
 Variable speed drive ATV310 motor : 11 kW - line choke - 1 per drive
 Variable speed drive ATV310 motor : 7.5 kW - motor choke - 1 per drive
 Variable speed drive ATV310 motor : 11 kW - motor choke - 1 per drive
 Variable speed drive ATV340 motor : 7.5 kW - 380...480 V - line choke - 1 per drive
 Variable speed drive ATV340 motor : 11 kW - 380...480 V - line choke - 1 per drive
 Variable speed drive ATV340 motor : 15 kW - 380...480 V - line choke - 1 per drive
 Variable speed drive ATV320 motor : 11 kW - 380...500 V - three phase - line choke - 1 per drive
 Variable speed drive ATV320 motor : 7.5 kW - 380...500 V - three phase - motor choke - 1 per drive
 Variable speed drive ATV320 motor : 4 kW - 200...240 V - three phase - line choke - 1 per drive
 Variable speed drive ATV320 motor : 7.5 kW - 200...240 V - three phase - motor choke - 1 per drive
 Variable speed drive ATV320 motor : 15 kW - 525...600 V - three phase - line choke - 1 per drive
 Variable speed drive ATV320 motor : 15 kW - 525...600 V - three phase - motor choke - 1 per drive
 Variable speed drive ATV320 motor : 5.5 kW - 200...240 V - three phase - line choke - 1 per drive
 Variable speed drive ATV320 motor : 7.5 kW - 200...240 V - three phase - line choke - 1 per drive
 Variable speed drive ATV320 motor : 4 kW - 200...240 V - three phase - motor choke - 1 per drive
 Variable speed drive ATV320 motor : 5.5 kW - 200...240 V - three phase - motor choke - 1 per drive
 Variable speed drive ATV320 motor : 15 kW - 380...500 V - three phase - line choke - 1 per drive
 Variable speed drive ATV320 motor : 11 kW - 380...500 V - three phase - motor choke - 1 per drive
 Variable speed drive ATV320 motor : 11 kW - 525...600 V - three phase - line choke - 1 per drive
 Variable speed drive ATV320 motor : 11 kW - 525...600 V - three phase - motor choke - 1 per drive

Network number of phases	Three phase
Range compatibility	Altivar Easy 310 Altivar 12 Altivar 312 Lexium 52 Altivar 31C Altivar 32 Lexium 32 Altivar Machine ATV340 Altivar 312 Solar Altivar 61 Altivar Machine ATV320 Lexium 62 Altivar 71
Device application	Reduction of current harmonics Reduction of overvoltages at motor terminals
Value of inductance	1 mH
[In] rated current	31 A
Thermal losses	90 W
Electrical connection	Terminal 16 mm ² / AWG 4, 1.2...1.4 N.m

Complementary

Supply frequency	50...60 Hz
Max current	1.65 x nominal current for 60 s
Voltage drop at rated load	3...5 %
Electrical insulation class	Class F
Clearance distance	5.5 mm conforming to IEC 60664
Leakage distance	11.5 mm conforming to IEC 60664
Product weight	6 kg
Width	155 mm
Height	170 mm
Depth	135 mm

Environment

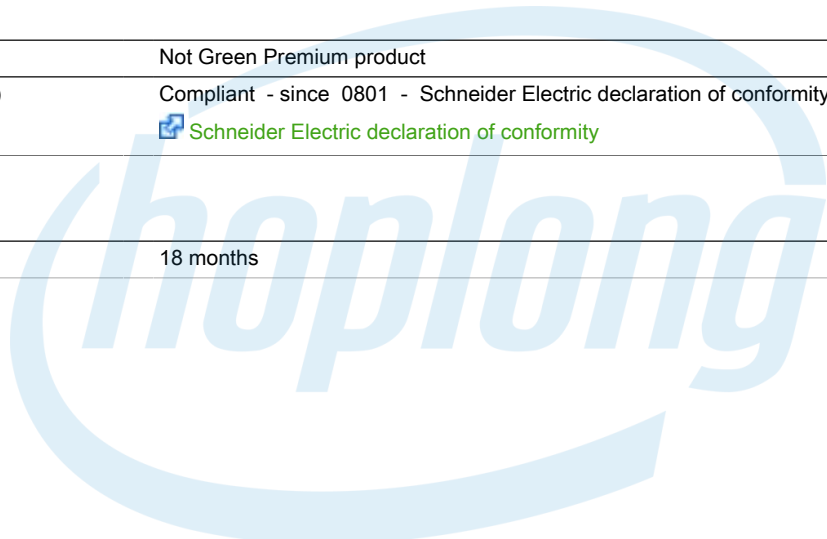
Standards	EN 50178 IEC 60076 (with HD398) VDE 0160 level 1
IP degree of protection	IP00 (choke) IP10 (terminals)
Environmental characteristic	3B1 conforming to IEC 721-3-3 3C2 conforming to IEC 721-3-3 3S1 conforming to IEC 721-3-3
Pollution degree	2 conforming to EN 50178
Vibration resistance	1.5 mm peak to peak (f = 3...13 Hz) conforming to IEC 60068-2-6 1 gn (f = 13...200 Hz) conforming to IEC 60068-2-6
Shock resistance	15 gn for 11 ms conforming to IEC 60068-2-27
Relative humidity	<= 95 %
Ambient air temperature for operation	> 45...< 55 °C with current derating of 2 % per °C 0...45 °C without current derating
Ambient air temperature for storage	-25...70 °C
Operating altitude	<= 1000 m without current derating 1000...3000 m with current derating 1 % per 100 m

Offer Sustainability

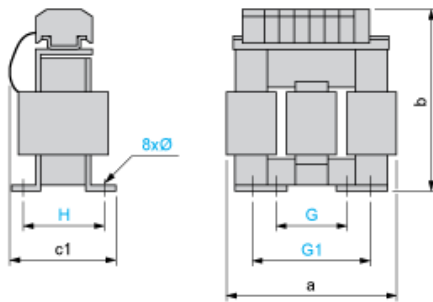
Sustainable offer status	Not Green Premium product
RoHS (date code: YYWW)	Compliant - since 0801 - Schneider Electric declaration of conformity Schneider Electric declaration of conformity

Contractual warranty

Warranty period	18 months
-----------------	-----------



Dimensions

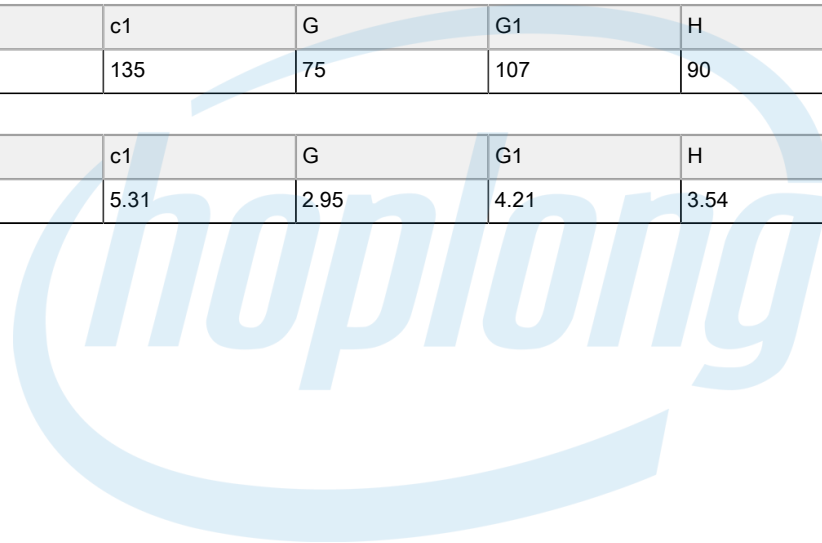


Dimensions in mm

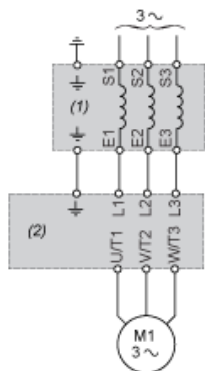
a	b	c1	G	G1	H	Ø
155	170	135	75	107	90	6 x 12

Dimensions in in.

a	b	c1	G	G1	H	Ø
6.10	6.69	5.31	2.95	4.21	3.54	0.24 x 0.47



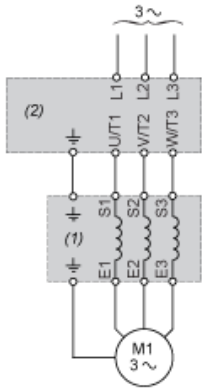
Recommended Schema - Line Choke



- (1) Line Choke
- (2) Drive



Recommended Schema - Motor Choke



- (1) Motor Choke
- (2) Drive

