

Main

Product or component type	LR filter cell
Range compatibility	Altivar 312 Altivar 31C Altivar 312 Solar Altivar Easy 310
Product specific application	Output filter
Product compatibility	ATV312H018M2 ATV312H037M2 ATV312H055M2 ATV312H075M2 ATV31C018M2 ATV31C037M2 ATV31C055M2 ATV31C075M2 ATV312H018M3 ATV312H037M3 ATV312H055M3 ATV312H075M3 ATV312HU11M2 ATV312HU15M2 ATV31CU11M2 ATV31CU15M2 ATV31C037N4 ATV31C055N4 ATV31C075N4 ATV31CU11N4 ATV31CU15N4 ATV31CU22N4 ATV31CU30N4 ATV31CU40N4 ATV31CD11N4 ATV31CD15N4 ATV312HU11M3 ATV312HU15M3 ATV312H037N4 ATV312H055N4 ATV312H075N4 ATV312HU11N4 ATV312HU15N4 ATV312HU22N4

Disclaimer: This documentation is not intended as a substitute for and is not to be used for determining suitability or reliability of these products for specific user applications

ATV312HU30N4  
ATV312HU40N4  
ATV312H075S6  
ATV312HU22S6  
ATV312HU40S6  
ATV312HU55S6  
Variable speed drive ATV310 motor : 0.37 kW  
Variable speed drive ATV310 motor : 0.75 kW  
Variable speed drive ATV310 motor : 1.5 kW

Motor cable length	100 m shielded cable cable 0.5...4 kHz
Thermal losses	150 W
[In] rated current	10 A

### Complementary

Product weight	7.4 kg
----------------	--------

### Environment

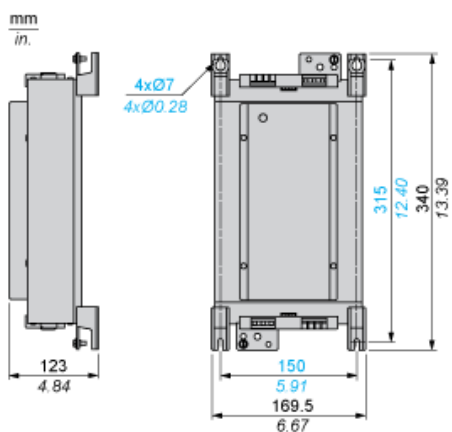
IP degree of protection	IP20
-------------------------	------

### Contractual warranty

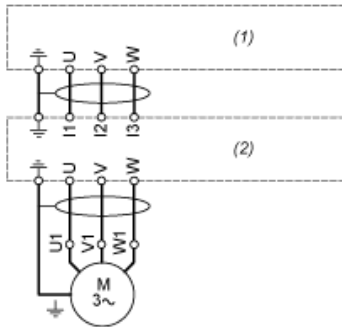
Warranty period	18 months
-----------------	-----------



Dimensions



Recommended Schema



- (1) Drive
- (2) Filter

