

FUJI Command Switches Integrated contact structure
AR16, AF16 series



CONTENTS

Overview.....	4
Safety precautions.....	6
Glossary	7
Selection guide.....	8
Features, specifications.....	13
Type number nomenclature	16
Type numbers and dimensions	
1. Standard type, AR16 and DR16 series	
Illuminated pushbutton switches.....	20
Pushbutton switches.....	22
Pilot lights	24
Selector switches (Knob type).....	26
Selector switches (Key type)	29
2. Thin type, AF16 and DF16 series	
Illuminated pushbutton switches.....	32
Pushbutton switches.....	34
Pilot lights	36
Selector switches (Knob type).....	38
Selector switches (Key type)	41
Panel cutting and mounting	44
Notes on use	46
Accessories	52
Mass.....	56

Product Index

AF16F0L	32	AR16E0L	20	DF16F0L.....	36
AF16F0M	32	AR16E0R.....	22	DF16F0M.....	36
AF16F0N.....	32	AR16E5L	20	DF16F0N.....	36
AF16F0R.....	34	AR16E5R.....	22	DR16D0L.....	24
AF16F0S.....	34	AR16F0M	20	DR16E0L.....	24
AF16F0T	34	AR16F0N.....	20	DR16F0M	24
AF16F5L	32	AR16F0S.....	22	DR16F0N.....	24
AF16F5M	32	AR16F0T	22	DR6C630.....	55
AF16F5N.....	32	AR16F5M	20	DR6L695	55
AF16F5R.....	34	AR16F5N.....	20		
AF16F5S	34	AR16F5S	22		
AF16F5T	34	AR16F5T	22		
AF16JR.....	41, 42	AR16G0N.....	20		
AF16JS	41, 42	AR16G0T.....	22		
AF16JT	41, 42	AR16G5N	20		
AF16PR	38, 39	AR16G5T.....	22		
AF16PS.....	38, 39	AR16JR	29, 30		
AF16PT.....	38, 39	AR16JS	29, 30		
AF6D826	52	AR16JT.....	29, 30		
AF6D827.....	52	AR16PR.....	26, 27		
AF6Y622.....	54	AR16PS.....	26, 27		
AF6Y644	54	AR16PT	26, 27		
AF6Y645.....	54	AR6C631	55		
AF6Y850.....	54	AR6C632.....	55		
AF6Y851	54	AR6C633.....	55		
AF6Y852.....	54	AR6C662.....	55		
AHX601.....	54	AR6P665	55		
AHX618	54	AR6P666	55		
AHX622.....	54	AR6P667	55		
AHX644.....	54	AR6S691	53		
AHX645.....	54	AR6S692	53		
AHX668.....	52	AR6Y261	52		
AHX669.....	52				
AHX671.....	52				
AHX672.....	54				
AHX822.....	52				
AHX826	52				
AHX850.....	54				



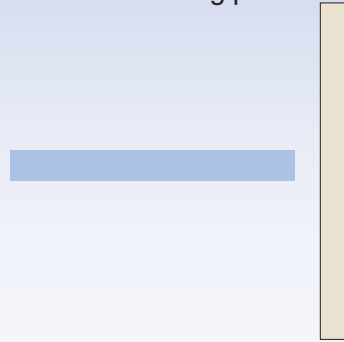
minico

Command Switches AR16•DR16, AF16•DF16

- An integrated structure with built-in contacts that can reduce control panel depth.
- A wide variety of sockets are available to simplify wiring.

Operator • Contacts

Mounting panel



Supporting smaller and thinner operator's panels

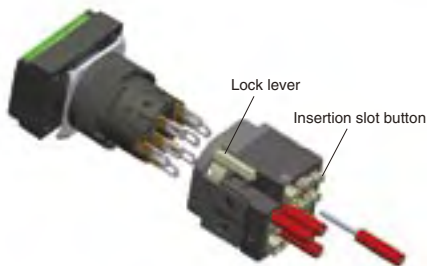
A structure that integrates operator and contacts to reduce panel-mounting depth. Terminals extending to the rear of the switch ensure easy wiring work.



A wide variety of sockets reduce wiring work

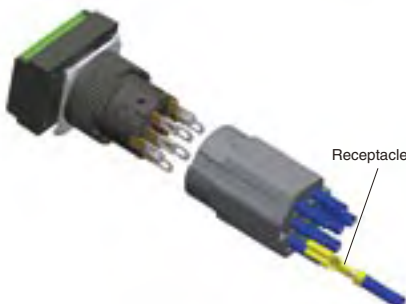
Switches combine with a variety of sockets to simplify wiring.

• Fast-connection socket



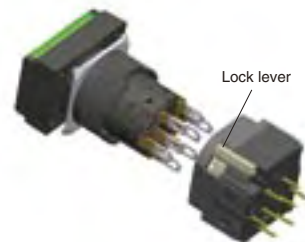
- Applicable as a fast-connection terminal switch by combining the socket with a switch.
- Easily wired by simply removing the wire sheath and inserting the wires while pressing the insertion slot button (no soldering required).
- Incorporates a branch terminal for easy branching.

• Connector socket



- Applicable as a connector by combining the socket with receptacles.
- The socket holds the receptacles, making it easy to connect the receptacle to the switch with a single operation.

• Socket for PC board



- Applicable as a switch for PC board by combining the socket with a switch.
- Pattern wiring reduces the number of wiring man-hour and helps prevent faulty wiring.

minico is a nickname for the AR16/AF16 series of integrated command switches with built-in contacts.

AR16 • DR16

AF16 • DF16

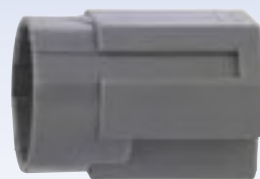
Washer



Tightening nut



Fast-Connection socket



Connector socket



Socket for PC board

Contributes to attractive panel designs

In addition to the standard type, a thin type with a panel protrusion of only 2 mm is available, allowing high-density mounting for attractive panel designs.

Integrated contact structure (Thin type)
AF16/DF16 series



- Keep in mind that the panel cutout size for the thin type depends on the operator shape. See page 44 for details.
- The panel depth is unified to 35.9mm.

Brighter illuminated surface

Less power consumption helps to save energy.
A longer service life helps to reduce maintenance costs.

Dedicated LED lamp



Degree of protection IP65

The operator has IP65 protection for smooth operation without adverse effects from oil, water, or dusts. Applicable to a wide variety of equipment, from machine tools to OA equipment.

Meets EU RoHS requirements

Standard models meet RoHS requirements (EU Directive 2002/95/C).

Highly reliable contact mechanism

Gold-plated contacts and a snap-action mechanism enables IC-level applications (with a switching current of 1 mA at 5 V).

Standard models meet international standards

Standard models meet UL/CSA requirements, China Compulsory Certification (CCC) standards, and TÜV EN standards, making them ideal for equipment for export.

Note: Command switches shipped as single articles to China must conform to the Product Quality Law. Check with your Fuji Electric representative.

The insertion/extraction life of the key is greatly extended



The key selector switch incorporates a pin tumbler type key (reversible type) to improve the insertion/extraction performance of the key.

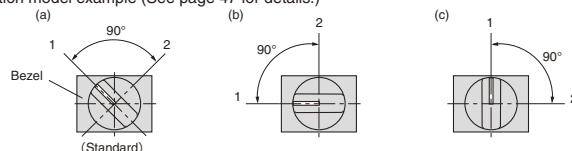
- Six key types are available.
- The pin tumbler construction improves security.

The operating angle position of the selector switch can be easily changed.

The bezel is separate from the knob (key), so the operating angle position can be easily changed in 45° increments (with the AR16 series rectangular or square type only).

The following figure shows a knob type example. Same applies to the key type.

•Two-position model example (See page 47 for details.)



Command Switches

AR16, DR16 and AF16, DF16

Safety precautions

- This catalog aims at offering reference information on selecting and purchasing Fuji Electric FA' s electrical devices and components.
- Prior to installation, wiring, operation, maintenance and inspection of the product, read through the Instruction Manuals and/or User's Manuals to ensure proper use of the product. Improper use may result in death or serious injury.
- If you have any question or require further detailed information on this catalog, consult with your local dealership or Fuji Electric FA.
- Observe the following precautions for safe operation of the products contained in the catalog.

WARNING

Power supply must be turned OFF before installation, de-installation, wiring, maintenance and inspection.
Never touch any live parts such as terminals while the power is turned ON.
Electrical shock or short-circuit may result in burn, death, or serious injury.

CAUTION

- Do not transport the products in the method other than those specified. Do not use the products if any damage or deformation is discovered when unpacked. Fire, malfunction or failure may result.
- Do not give the products a shock by falling or toppling during transportation or unpacking. Damage or failure may result.
- Installation, electrical work, electrical wiring, maintenance and inspection should be conducted by qualified personnel with professional knowledge.
- Operate (Store) in the environment specified in the Instruction Manuals and/or User's Manuals. Do not install the products in the abnormal environment such as high temperature, high humidity, dew condensation, dust, corrosive gases, organic solvents, special oil, excessive vibration or shock. Fire, malfunction, electrical shock, or failure may result.
- Use the products at the rated voltage and current specified in the Operating Instructions and/or User's Manuals. Using beyond the rated values may result in grounding, short-circuit, fire, explosion, failure, or malfunction.
- Install the products according to the directions described in the Operating Instructions and/or User' s Manuals. Improper mounting may cause falling, malfunction, or failure, and result in injury.
- Select wire sizes suitable for the applied voltage and thermal current. Tighten with the torque specified in the Operating Instructions. Improper wiring may result in fire.
- Special care should be taken to prevent entry of foreign objects such as dust, concrete chips, iron powder, wire chips, etc. Poor contacts, defective release action, fire, or malfunction may result.
- Periodically make sure the terminal screws and mounting screws are securely tightened. Operation at a loosened status might cause fire or malfunction.
- Attaching the live part protective covers is recommended. Otherwise, it may result in an electric shock to the operator.
- Be sure to install the electrical wiring correctly and securely, observing the operating instructions and manual. Wrong or loose wiring might cause fire, accidents, or failure. Never conduct any repair on-site. Please ask your Fuji Electric FA representative for repair. Fire, accidents, or failure may result.
- Before cleaning, first turn the power OFF, use towels twisted to be dry after soaked with warm water. Use of diluents or other organic solvents may dissolve or discolor the product surface.
- Do not remodel or disassemble the products. Failure may result.
- The products should be treated as industrial wastes when they are to be discarded.
- The products contained in this catalog have been designed and manufactured as general-purpose products for general industry. Customers, who intend to use the products for such equipment or systems that may affect human lives, are requested to prepare safety measures together with other safety devices.
- Customers, who intend to use the products described in this catalog, for special applications such as for nuclear energy control, aerospace, medical, or transportation, please consult your Fuji Electric FA agent.
- Customers, who intend to use the products for such applications or systems that may lead to loss of human lives or serious damage to facility in the event of the products' failure, are requested to provide safety measures by all means.
- The information contained in this catalog is subject to change without prior notice.

Glossary






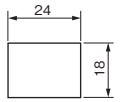
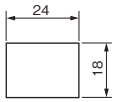
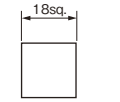
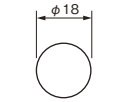
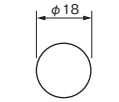
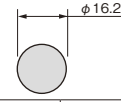



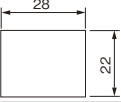
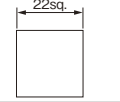
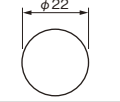
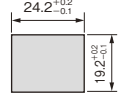
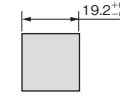
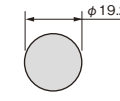
Classification	Term	Explanation
Rating	Rated insulation voltage (Ui)	A voltage value that serves as a reference when designing a device and satisfies the clearance and creepage distance and the withstand voltage (dielectric strength) of the device.
	Rated operational voltage (Ue)	A voltage value applied to a device under specified conditions. If the device is a control switch, the rated operational voltage (Ue) in combination with the rated operational current determines the equipment that it is to be applied to. Furthermore, the rated operational voltage (Ue) determines the relevant tests and operating load type of the control switch. If the control switch is an illuminated type, the term "lamp operational voltage" is applied in this catalog in order to distinguish it from the rated operational voltage of the switch.
	Rated impulse withstand voltage (Uimp)	This is the peak value of an impulse voltage that has a specified waveform and polarity and that is capable of being withstood by a device under specified test conditions, and serves as a reference for clearance.
	Conventional free air thermal current (Ith)	The maximum value for an electric current used to test the temperature rise of a control switch.
	Rated operational current (Ie)	An electric current applied under specified conditions.
Operating environment	Pollution degree	A factor used for determining the clearance and creepage distance of a device. There are four pollution degrees according to the pollutants in the operating environment, such as the dust in the air. Fuji's Command Switches are applicable to pollution degree 3. Pollution degree 3 refers to the occurrence of conductive pollution or the occurrence of conductivity as a result of condensation, but the occurrence of dry, nonconductive pollution in normal, dry conditions. It applies to environments typical of manufacturing plants.
Degree of protection	IP code	The IP code stipulates the degree of protection of a device provided by its enclosure against the ingress of solid matter and water according to IEC 60529. The IP code is expressed with the code letters IP (Ingress Protection) followed by two digits. The first characteristic digit indicates the degree of protection against the ingress of solid foreign objects. The second characteristic digit indicates the degree of protection against the ingress of water.
Types of pilot lights and illuminated switches	Pilot lights without transformer Illuminated switch without transformer	<p>A pilot light or illuminated switch designed so that the voltage of the electric circuit can be applied directly to the light source.</p> <p>Ex. Pilot light Illuminated switch</p> <p>Note: The terms of a, b, COM, NC and NO indicate the terminal numbers</p>
Operational functions	Momentary	The contacts operate when the pushbutton is pressed and automatically reset when the pushbutton is released.
	Alternate	The contacts operate when the pushbutton is pressed and the actuated state is held (locked) when the pushbutton is released. The contacts are reset when the pushbutton is pressed again.
	Maintained	The knob (key) of selector switch is operated and reset by hand. The contacts are interlocked according to each knob (key) operation.
	Spring return	The knob (key) of the selector switch and the contacts are automatically reset to the normal position if the knob (key) is released while the knob (key) is being actuated.
	Spring/manual return	Manual and automatic knob (key) resetting methods combined and applied to three-notch selector switches.
Others	High-brightness LED lamp	An LED lamp incorporates a four-element LED chip with high luminous efficiency or a high-performance gallium nitride LED chip, providing clear coloring and greatly increased brightness.

Command Switches

AR16, DR16 and AF16, DF16

Selection guide

■ Illuminated pushbutton switches

Operator		Flush rectangular		Flush rectangular with guard		Flush square		Extended round		Flush round		
Operator action		Momentary	Alternate	Momentary	Alternate	Momentary	Alternate	Momentary	Alternate	Momentary	Alternate	
Standard type	Type	AR16F0N	AR16F5N	AR16G0N	AR16G5N	AR16F0M	AR16F5M	AR16E0L	AR16E5L	-	-	
	Appearance	 cULus US Δ CE CCC	 cULus US Δ CE CCC			 cULus US Δ CE CCC	 cULus US Δ CE CCC	 cULus US Δ CE CCC				
	Bezel (mm)											
Panel cutting (mm)												
Thin type	Type	AF16F0N	AF16F5N	-	-	AF16F0M	AF16F5M	-	-	AF16F0L	AF16F5L	
Appearance	 cULus US Δ CE CCC					 cULus US Δ CE CCC				 cULus US Δ CE CCC		
Bezel (mm)												
Panel cutting (mm)												
Legend plate (mm)	19.6x13.6		19.6x13.6		13.6sq.		φ13.6		φ13.6			
Bezel color	Black											
Button color (transparent)	Green, Red, White ¹ , Yellow, Orange, Blue											
LED lamp	Color	Green, Red, Orange, Yellow, Amber, Blue										
	Lamp voltage	6V AC/DC, 12V AC/DC, 24V AC/DC										
Contact arrangement	SPDT, 2PDT											
Contact rating	120V AC 1A (AC-13), 24V DC 0.7A (DC-13, T _{0.95} = 21ms) 240V AC 0.7A (AC-13), 125V DC 0.15A (DC-13, T _{0.95} = 21ms)											
Mechanical durability	Momentary action: 1 million operations Alternate action: 250,000 operations											
Electrical durability	100,000 operations (220V AC 0.7A)											
Degree of protection (Operator)	IP65											
Type of terminal	Tab (#110) / solder dual-use terminal											
Accessories	Protective cover ²	<input type="radio"/> ³				<input type="radio"/> ³		<input type="radio"/>				
	Dust-proof cover	<input type="radio"/> ⁴				<input type="radio"/> ⁴		<input type="radio"/>				
	Terminal cover	<input type="radio"/>		<input type="radio"/>		<input type="radio"/>		<input type="radio"/>		<input type="radio"/>		
	Socket	Quick connection	<input type="radio"/>		<input type="radio"/>		<input type="radio"/>		<input type="radio"/>		<input type="radio"/>	
		Connector use	<input type="radio"/>		<input type="radio"/>		<input type="radio"/>		<input type="radio"/>		<input type="radio"/>	
		PC board use	<input type="radio"/>		<input type="radio"/>		<input type="radio"/>		<input type="radio"/>		<input type="radio"/>	
Panel plug	<input type="radio"/>		<input type="radio"/>		<input type="radio"/>		<input type="radio"/>		<input type="radio"/>			

Notes: ¹ A combination of the translucent button and the white legend plate comes to white.





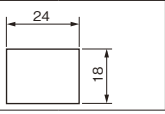
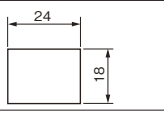
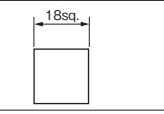
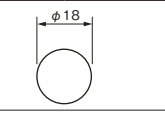
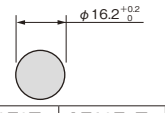



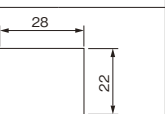
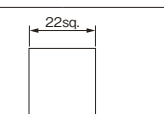
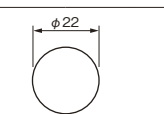
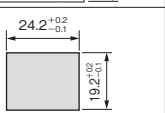
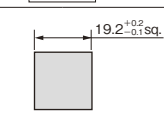
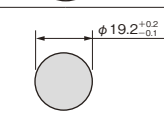
² The protective cover and button of the thin type are made of an integral structure.

³ The protective cover of the thin type is available for momentary action only.

⁴ Available for standard type only.

Command Switches AR16, DR16 and AF16, DF16 Selection guide

■ Pushbutton switches

Operator		Flush rectangular		Flush rectangular with guard		Flush square		Extended round		Flush round		
Operator action		Momentary	Alternate	Momentary	Alternate	Momentary	Alternate	Momentary	Alternate	Momentary	Alternate	
Standard type	Type	AR16F0T	AR16F5T	AR16G0T	AR16G5T	AR16F0S	AR16F5S	AR16E0R	AR16E5R	-	-	
	Appearance									-		
	Bezel (mm)									-		
Panel cutting (mm)												
Thin type	Type	AF16F0T	AF16F5T	-	-	AF16F0S	AF16F5S	-	-	AF16F0R	AF16F5R	
	Appearance			-				-				
	Bezel (mm)			-				-				
Panel cutting (mm)			-				-					
Legend plate (mm)		19.6x13.6		19.6x13.6		13.6sq		φ13.6		φ13.6		
Button color (transparent)		Black										
Button color		Green, Red, Black ¹ , White ² , Yellow, Orange, Blue										
Contact arrangement		SPDT, 2PDT										
Contact rating		120V AC 1A (AC-13), 24V DC 0.7A (DC-13, T _{0.95} = 21ms) 240V AC 0.7A (AC-13), 125V DC 0.15A (DC-13, T _{0.95} = 21ms)										
Mechanical durability		Momentary action: 1 million operations Alternate action: 250,000 operations										
Electrical durability		100,000 operations (220V AC 0.7A)										
Degree of protection (Operator)		IP65										
Type of terminal		Tab (#110) / solder dual-use terminal										
Accessories	Protective cover ³	<input type="radio"/> ⁴		-		<input type="radio"/> ⁴		<input type="radio"/>		-		
	Dust-proof cover	<input type="radio"/> ⁵		-		<input type="radio"/> ⁵		<input type="radio"/>		-		
	Terminal cover	<input type="radio"/>		<input type="radio"/>		<input type="radio"/>		<input type="radio"/>		<input type="radio"/>		
	Socket	Quick connection	<input type="radio"/>		<input type="radio"/>		<input type="radio"/>		<input type="radio"/>		<input type="radio"/>	
		Connector use	<input type="radio"/>		<input type="radio"/>		<input type="radio"/>		<input type="radio"/>		<input type="radio"/>	
		PC board use	<input type="radio"/>		<input type="radio"/>		<input type="radio"/>		<input type="radio"/>		<input type="radio"/>	
Panel plug	<input type="radio"/>		<input type="radio"/>		<input type="radio"/>		<input type="radio"/>		<input type="radio"/>			

Notes: ¹ A combination of the translucent button and the black legend plate comes to black button.

² A combination of the translucent button and the white legend plate comes to white button.

³ The protective cover and button of the thin type are made of an integral structure.

⁴ The protective cover of the thin type is available for momentary action only.





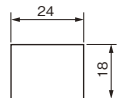
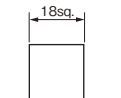
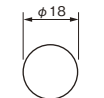
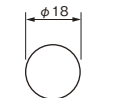
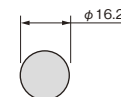



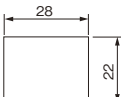
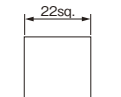
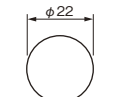
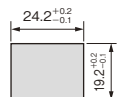
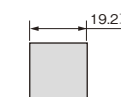
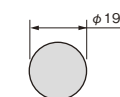
⁵ Available for standard type only.

Command Switches

AR16, DR16 and AF16, DF16




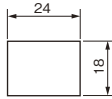
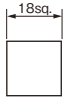

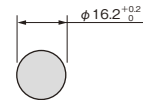



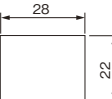


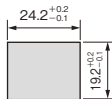
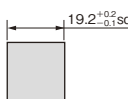
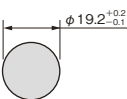
Selection guide

■ Pilot lights

Lens shape		Flush rectangular	Flush square	Extended round	Flush round	Dome
Standard type	Type	DR16F0N	DR16F0M	DR16E0L	–	DR16D0L
	Appearance				–	
	Bezel (mm)				–	
Panel cutting (mm)						
Thin type	Type	DF16F0N	DF16F0M	–	DF16F0L	–
	Appearance			–		–
	Bezel (mm)			–		–
Panel cutting (mm)				–		–
Legend plate (mm)		19.6x13.6	13.6sq	phi 13.6	phi 13.6	–
Bezel color		Black				
Button color (transparent)		Green, Red, White ^{**} , Yellow, Orange, Blue				
LED lamp	Color	Green, Red, Orange, Yellow, Amber, Blue				
	Lamp voltage	6V AC/DC, 12V AC/DC, 24V AC/DC				
Degree of protection (Lens)		IP65				
Type of terminal		Tab (#110) / solder dual-use terminal				
Accessories	Terminal cover	<input type="radio"/>	<input type="radio"/>	<input type="radio"/>	<input type="radio"/>	<input type="radio"/>
	Socket	Quick connection	<input type="radio"/>	<input type="radio"/>	<input type="radio"/>	<input type="radio"/>
		Connector use	<input type="radio"/>	<input type="radio"/>	<input type="radio"/>	<input type="radio"/>
		PC board use	<input type="radio"/>	<input type="radio"/>	<input type="radio"/>	<input type="radio"/>
	Panel plug	<input type="radio"/>	<input type="radio"/>	<input type="radio"/>	<input type="radio"/>	<input type="radio"/>

Note: ** A combination of the translucent lens and the white legend plate comes to white lens (except for dome type).

■ **Selector switches (Knob type)**




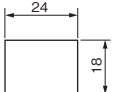
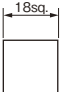

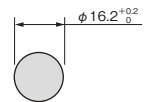



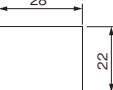



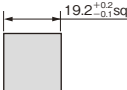
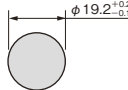
Operator		Knob with rectangular bezel	Knob with square bezel	Knob with round bezel	
No. of position		2-position, 3-position	2-position, 3-position	2-position, 3-position	
Operator action		Maintained, Spring/manual return, Spring return	Maintained, Spring/manual return, Spring return	Maintained, Spring/manual return, Spring return	
Standard type	Type	AR16PT	AR16PS	AR16PR	
	Appearance				
	Bezel (mm)				
Panel cutting (mm)					
Thin type	Type	AF16PT	AF16PS	AF16PR	
	Appearance				
	Bezel (mm)				
Panel cutting (mm)					
Bezel color		Black			
Color of knob		Black			
Contact arrangement		SPDT, 2PDT			
Contact rating		120V AC 1A (AC-13), 24V DC 0.7A (DC-13, T _{0.95} = 21ms) 240V AC 0.7A (AC-13), 125V DC 0.15A (DC-13, T _{0.95} = 21ms)			
Mechanical durability		250,000 operations			
Electrical durability		100,000 operations (220V AC 0.7A)			
Degree of protection (Operator)		IP65			
Type of terminal		Tab (#110) / solder dual-use terminal			
Accessories	Terminal cover	<input type="radio"/>	<input type="radio"/>	<input type="radio"/>	
	Socket	Quick connection	<input type="radio"/>	<input type="radio"/>	<input type="radio"/>
		Connector use	<input type="radio"/>	<input type="radio"/>	<input type="radio"/>
		PC board use	<input type="radio"/>	<input type="radio"/>	<input type="radio"/>
	Panel plug	<input type="radio"/>	<input type="radio"/>	<input type="radio"/>	

Command Switches

AR16, DR16 and AF16, DF16

Selection guide

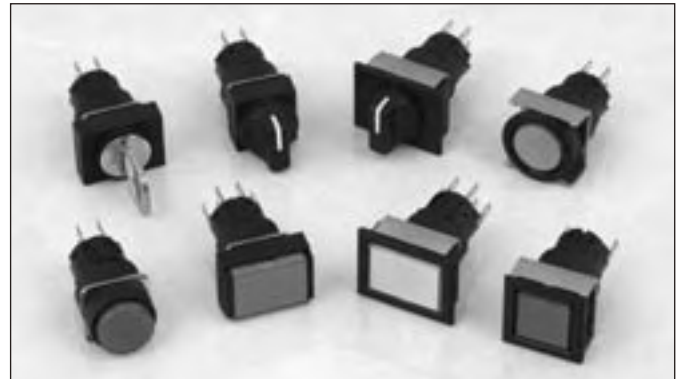
■ Selector switches (Key type)

Operator		Key with rectangular bezel	Key with square bezel	Key with round bezel	
No. of position		2-position, 3-position	2-position, 3-position	2-position, 3-position	
Operator action		Maintained, Spring/manual return, Spring return	Maintained, Spring/manual return, Spring return	Maintained, Spring/manual return, Spring return	
Standard type	Type	AR16JT	AR16JS	AR16JR	
	Appearance				
	Bezel (mm)				
Panel cutting (mm)					
Thin type	Type	AF16JT	AF16JS	AF16JR	
	Appearance				
	Bezel (mm)				
Panel cutting (mm)					
Bezel color		Black			
Key removable position		Left (A), Left/Right (B), Left/Center/Right (C), Right (D), Center (E), Center/Right (F), Left/Center (G)			
No. of key types		6 (A, B, C, D, E, F)			
Contact arrangement		SPDT, 2PDT			
Contact rating		120V AC 1A (AC-13), 24V DC 0.7A (DC-13, T _{0.95} = 21ms) 240V AC 0.7A (AC-13), 125V DC 0.15A (DC-13, T _{0.95} = 21ms)			
Mechanical durability		250,000 operations			
Electrical durability		100,000 operations (220V AC 0.7A)			
Degree of protection (Operator)		IP65			
Type of terminal		Tab (#110) / solder dual-use terminal			
Accessories	Terminal cover	<input type="radio"/>	<input type="radio"/>	<input type="radio"/>	
	Socket	Quick connection	<input type="radio"/>	<input type="radio"/>	<input type="radio"/>
		Connector use	<input type="radio"/>	<input type="radio"/>	<input type="radio"/>
		PC board use	<input type="radio"/>	<input type="radio"/>	<input type="radio"/>
	Panel plug	<input type="radio"/>	<input type="radio"/>	<input type="radio"/>	

Command Switches AR16 and DR16, AR16 and DR16 Features, Contact ratings

■ Features

- An integrated operator component and contact mechanism that reduces control panels' depth. A unified depth of 28.4mm for the Standard type and 35.9mm for the Thin type.
- Thin type and Standard types available for your control panel design. Select an optimum one to match your control panel design.
- A wide variety of sockets help to reduce wiring.
- Incorporating a gold-flashed SPDT or 2PDT contact mechanism with a snap-action structure that makes and breaks 1mA at 5V.
- A key selector switch with a pin tumbler key and reversible-type mechanism provides improved key insertion and removal (extraction) performance.
- Complies with RoHS (EU Directive 2002/95/EC).
- The standard AR16 and DR16, AF16 and DF16 series of the ϕ 16 Command Switches are approved by UL/CSA, CCC and TÜV (EN standard).
- Bearing CE markings.



■ Contact ratings

• UL/CSA

- AC ($\text{COS } \phi = 0.35$)

Contact rating code	120V		240V	
	Making current	Breaking current	Making current	Breaking current
D300	3.6A	0.6A	1.8A	0.3A

• TÜV (EN60947-5-1), CCC (GB14048-5), JIS C 8201-5-1

Type of switches	Conventional free air thermal current I _{th}	Rated operational current I _e				
		Rated operational voltage U _e	AC		DC	
			AC-13 (Inductive load)	AC-12 (Resistive load)	DC-13 (Inductive load)	DC-12 (Resistive load)
Illuminated pushbutton switch Pushbutton switch Selector switch	5A	24V	–	–	0.7A ¹⁾	1A
		120V	1A	1.5A	–	–
		125V	–	–	0.15A ¹⁾	0.2A
		240V	0.7A	1A	–	–

Note: ¹⁾ T_{0.95}=21ms

Command Switches AR16 and DR16, AR16 and DR16 Specifications


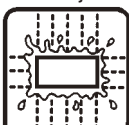

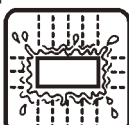
■ Specifications (indoor use)

Item		• Illuminated pushbutton switch, pushbutton switch	• Selector switch	• Pilot lights
Rated insulation voltage	Ui	250V AC/DC		
Durability	Mechanical	Momentary action: 1 million operations Alternate action: 250,000 operations	Maintained: 250,000 operations Spring/manual return: 250,000 operations Spring return: 250,000 operations	–
	Electrical	100,000 operations (at 220V AC 0.7A)		–
Operating frequency		1200 operations/hour (On-load factor: 40%)		–
Withstand voltage	Between live section and grounding	2000V AC, 1 minute		
	Between opposite polarity live sections	2000V AC, 1 minute		–
Insulation resistance		100MΩ or more (500V DC megger)		
Rated impulse withstand voltage	Uimp	2.5kV		
Conditional short-circuit current		1000A		
Short-circuit protective device		gG 2A (IEC60269 Fuse)		
Pollution degree		3		
Vibration		Resonance: frequency 10 to 55Hz, double amplitude 0.1mm Constant: frequency 16.7Hz, double amplitude 3mm		
Shock		Malfunction durability; 100m/s ² Mechanical durability; 500m/s ²		
Operational ambient temperature		–10 to +55°C (no icing or no condensation)		
Storage temperature		–40 to +70°C		
Relative humidity (inside control panel)		45 to 85%RH (–5 to + 40°C) (no icing or no condensation)		
Degree of protection of operating (displaying) section		IP65 (dust-proof, water jet proof): IEC 60529		

■ Degree of protection

- The table below shows the degree of protection stipulated by IEC (International Electrotechnical Commission) standard (IEC 60529).

IP- 6 5

Class	Degree of protection against human contact or penetration by a foreign object	Degree of protection against ingress of water
5	 <ul style="list-style-type: none"> Normal operation secured even if the dust that can pass through screen of 75μm mesh invades. 	Protection against water jets  <ul style="list-style-type: none"> Protected against water jet from all directions. Water projected by nozzle (6.3mm-inner dia.) from all directions at 29.4kPa for 3min at a distance of 3m.
6	 <ul style="list-style-type: none"> The dust which can pass through screen of 75μm mesh shall not invade. 	Protection against powerful water  <ul style="list-style-type: none"> Protected against powerful water jet from all directions. Water projected by nozzle (12.5mm-inner dia.) from all directions at 98kPa for 3min at a distance of 3m.

■ Contact reliability

FUJI has confirmed that the product can be used in 1mA circuit conditions at 5V AC or DC. The operable range, however, may vary depending on the operational ambient conditions and type of load.

■ **Lamp ratings and current consumption**

• **Illuminated pushbutton switch, Pilot lights**

Applied method	Lamp operational voltage	High-brightness LED lamp		
		Type	Lamp rated voltage	Current consumption
without transformer	6V AC/DC	DR6L695-A□	6V AC/DC	Green, Red, Amber, Blue: 7.5mA AC, 7.5mA DC Orange: 8.5mA AC, 8.5mA DC Yellow: 17mA AC, 17mA DC
	12V AC/DC	DR6L695-B□	12V AC/DC	Green, Red, Amber, Blue: 7.5mA AC, 7.5mA DC Orange, Yellow: 8.5mA AC, 8.5mA DC
	24V AC/DC	DR6L695-E□	24V AC/DC	Green, Red, Amber, Blue: 7.5mA AC, 7.5mA DC Orange, Yellow: 8.5mA AC, 8.5mA DC

Note: A box □ indicates the luminous color. For details, see the “Combination of Illuminated pushbutton / pilot light color and LED lamp luminous color”.

■ **Combination of Illuminated pushbutton / pilot light color and LED lamp luminous color**

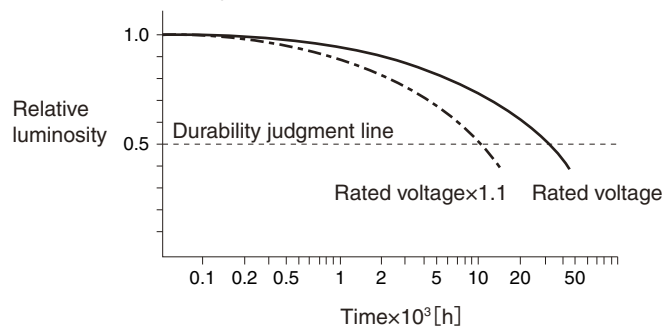
Illuminated pushbutton / pilot light color (lens color)		Luminous color of high-brightness LED lamp	
Type		Type	
Green	G	Green	DR6L695-■G
Red	R	Red	DR6L695-■R
White	W	Orange	DR6L695-■W
Yellow	Y	Yellow	DR6L695-■Y
Orange	A	Amber	DR6L695-■A
Blue	S	Blue	DR6L695-■S

Note: 1 A box ■ indicates the lamp operational voltage. For details, see the “Lamp ratings and current consumption”.

■ **LED durability**

Type of lamp	Durability	Judgment criterion
LED lamp	Approx. 30000h	When the brightness is less than 50% of initial value.

• **Estimated durability for LED lamps**



Note 1. Durability at Ta=25°C

Note 2. Durability is affected by temperature, humidity, and voltage fluctuation.

■ **Standard models approved by international standards**

The standard models of AR16 and DR16, AF16 and DF16 series of the φ16 Command Switches meet UL / CSA requirements, China Compulsory Certification (CCC) standards, and TÜV EN standards, thus ensuring easier direct or indirect export to North America and European countries with no safety standard concerns.

Command Switches

AR16 and DR16, AR16 and DR16

Type number nomenclature

• Illuminated pushbutton switches

AR16 F0N – C2 E3 G

Product category

Category	Code
Standard type	AR16
Thin type	AF16

Operator shape and action

Operator shape	Code			
	Standard type		Thin type	
	Momentary	Alternate	Momentary	Alternate
Flush rectangular	F0N	F5N	F0N	F5N
Flush rectangular with guard	G0N	G5N	–	–
Flush square	F0M	F5M	F0M	F5M
Extended round	E0L	E5L	–	–
Flush round	–	–	F0L	F5L

Contact arrangement and terminal

Contact arrangement	Code	Type of terminal
SPDT	C1	Tab (#110) and solder dual-use terminal
2PDT	C2	

Color of button

Color	LED color	Code
Green	Green	G
Red	Red	R
White ^{*1}	Orange	W
Yellow	Yellow	Y
Orange	Amber	A
Blue	Blue	S

Note: · The button is transparent in color.
^{*1}: A combination of the transparent lens and the white legend plate comes to white.

Lamp operational voltage and light source

Applied method	Voltage	Code
		LED
Without transformer	6V AC/DC	A3
	12V AC/DC	B3
	24V AC/DC	E3

• Pushbutton switches

AR16 F0T – C2 R

Product category

Category	Code
Standard type	AR16
Thin type	AF16

Operator shape and action

Operator shape	Code			
	Standard type		Thin type	
	Momentary	Alternate	Momentary	Alternate
Flush rectangular	F0T	F5T	F0T	F5T
Flush rectangular with guard	G0T	G5T	–	–
Flush square	F0S	F5S	F0S	F5S
Extended round	E0R	E5R	–	–
Flush round	–	–	F0R	F5R

Contact arrangement and terminal

Contact arrangement	Code	Type of terminal
SPDT	C1	Tab (#110) and solder dual-use terminal
2PDT	C2	

Color of button

Color	Code
Green	G
Red	R
Black ^{*1}	B
White ^{*2}	W
Yellow	Y
Orange	A
Blue	S

Notes: · The button is transparent in color.
^{*1}: A combination of the transparent button and the black legend plate comes to black.
^{*2}: A combination of the transparent button and the white legend plate comes to white.

Note: The manufacturing range varies depending on the model. For details, see "Types and dimensions" of this catalog.

Command Switches AR16 and DR16, AR16 and DR16 Type number nomenclature

• Pilot lights

DR16 D0L – E3 W

Product category

Category	Code
Standard type	DR16
Thin type	DF16

Lens shape

Lens shape	Code	
	Standard type	Thin type
Flush rectangular	F0N	F0N
Flush square	F0M	F0M
Extended round	E0L	–
Flush round	–	F0L
Dome	D0L	–

Color of lens

Color	LED color	Code
Green	Green	G
Red	Red	R
White ^{*1}	Orange	W
Yellow	Yellow	Y
Orange	Amber	A
Blue	Blue	S

Note: · The lens is transparent in color.
^{*1} : A combination of the transparent lens and the white legend plate comes to white (except for dome type).

Lamp operational voltage and light source

Applied method	Voltage	Code
		LED
Without transformer	6V AC/DC	A3
	12V AC/DC	B3
	24V AC/DC	E3

Note: The terminal used is a tab (#110) and solder dual-use terminal.

Command Switches

AR16 and DR16, AR16 and DR16

Type number nomenclature

• Selector switches (Knob type)

AR16 PT-2 C1 B

Product category

Category	Code
Standard type	AR16
Thin type	AF16

Operator shape

Operator shape	Code
Knob with rectangular bezel	PT
Knob with square bezel	PS
Knob with round bezel	PR

Color of knob

Color	Code
Black	B

Contact arrangement and terminal

Contact arrangement	Code	Type of terminal
SPDT ^{*1}	C1	Tab (#110) and solder dual-use terminal
2PDT	C2	

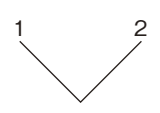
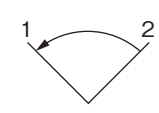
Note: ^{*1} 2-position model only available

No. of positions and operator action

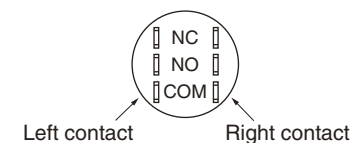
No. of positions	Operator action	Code
2-position (90°)	Maintained	2
	Spring return (Right to left) ⌚	0
	3-position (45°)	Maintained
3-position (45°)	Spring/manual return (Left to center) ⌚	6
	Spring/manual return (Right to center) ⌚	7
	Spring return (Left or right to center) ⌚	1

• Key position and contact operation

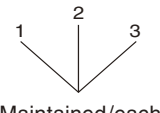
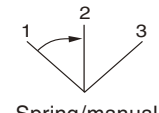
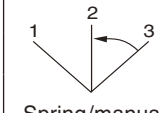
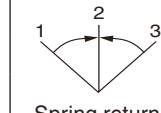
2-position

Operator action (View form the front)		Contact arrangement	Contact unit		Operator position ^{*2}		
2	0		Left	COM	1	2	
 Maintained/90°	 Spring return/90°	SPDT	Left	COM	NC	●	
					NO		●
		2PDT	Left	COM	NC	●	●
					NO		●
			Right	COM	NC	●	
					NO		●

Terminal arrangement
View from the terminal side (the back)



3-position

Operator action (View form the front)				Contact arrangement	Contact unit		Operator position ^{*2}		
3	6	7	1		Left	COM	1	2	3
 Maintained/each 45°	 Spring/manual return/each 45°	 Spring/manual return/each 45°	 Spring return/each 45°	2PDT	Left	COM	NC	●	
							NO		●
					Right	COM	NC	●	
							NO	●	

Note: ^{*2} ●, ■: means the contact closed (ON).

Note: The manufacturing range varies depending on the model. For details, see "Types and dimensions" of this catalog.

Command Switches AR16 and DR16, AR16 and DR16 Type number nomenclature

• Selector switches (Key type)

Product category

Category	Code
Standard type	AR16
Thin type	AF16

Operator shape

Operator shape	Code
Key with rectangular bezel	JT
Key with square bezel	JS
Key with round bezel	JR

No. of positions and operator action

No. of positions	Operator action	Code
2-position (90°)	Maintained	2
	Spring return (Right to left) ↻	0
3-position (45°)	Maintained	3
	Spring/manual return (Left to center) ⌚	6
	Spring/manual return (Right to center) ⌚	7
	Spring return (Left or right to center) ⌚	1

AR16 JT-3 E C2 A

Types of key

Type ^{*1}	A	B	C	D	E	F
Code	A	B	C	D	E	F

Note: *1 "A" is standard.

Contact arrangement and terminal

Contact arrangement	Code	Type of terminal
SPDT ^{*2}	C1	Tab (#110) and
2PDT	C2	solder dual-use terminal


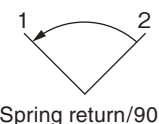
Note: *2 2-position model only

Key removable position

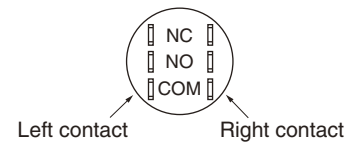
Key removable position	Applicable operator action						Code
	2	0	3	6	7	1	
Left ⌚	○	○	○	—	○	—	A
Left and right ⊗	○	—	○	—	—	—	B
Left, center and right ⊗	—	—	○	—	—	—	C
Right ⌚	○	—	○	○	—	—	D
Center ⌚	—	—	○	○	○	○	E
Center and right ⌚	—	—	○	○	—	—	F
Left and center ⌚	—	—	○	—	○	—	G

• Key position and contact operation

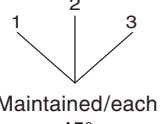
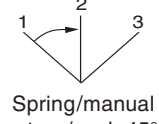
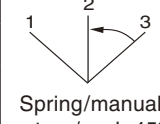
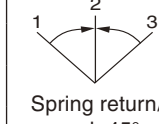
2-position

Operator action (View from the front)		Contact arrangement	Contact unit		Operator position ^{*3}	
2	0		Left	COM	1	2
 Maintained/90°	 Spring return/90°	SPDT	Left	COM	NC	●
		2PDT	Left	COM	NC	●
			Right	COM	NC	●
					NO	●

Terminal arrangement
View from the terminal side (the back)



3-position

Operator action (View from the front)				Contact arrangement	Contact unit		Operator position ^{*3}			
3	6	7	1		Left	COM	1	2	3	
 Maintained/each 45°	 Spring/manual return/each 45°	 Spring/manual return/each 45°	 Spring return/each 45°	2PDT	Left	COM	NC	●		
					Right	COM	NC	●	●	
							NO	●	●	●

Note: ^{*3} ●, ■: means the contact closed (ON).

Note: The manufacturing range varies depending on the model. For details, see "Types and dimensions" of this catalog.

Command Switches

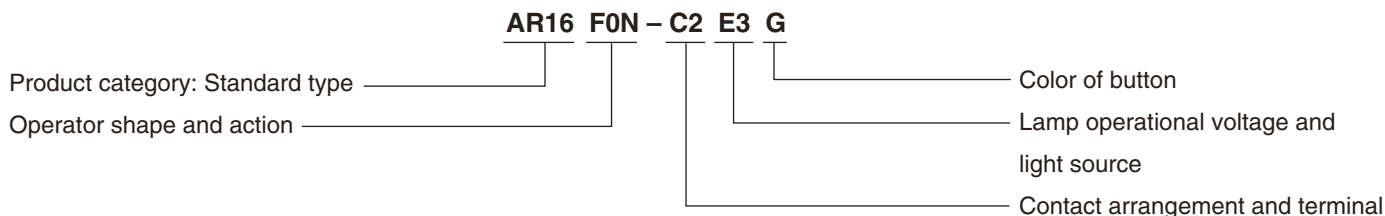
AR16 and DR16

Type numbers and dimensions





1. Standard type, AR16 and DR16

■ Illuminated pushbutton switches (LED illuminated)

• Type number system



• Type

Operator	Appearance (Standard type)	Lamp operational voltage	Contact arrangement	Momentary action Type	Alternate action Type
Flush rectangular		6V AC/DC	SPDT	AR16F0N-C1A3□	AR16F5N-C1A3□
			2PDT	AR16F0N-C2A3□	AR16F5N-C2A3□
		12V AC/DC	SPDT	AR16F0N-C1B3□	AR16F5N-C1B3□
			2PDT	AR16F0N-C2B3□	AR16F5N-C2B3□
		24V AC/DC	SPDT	AR16F0N-C1E3□	AR16F5N-C1E3□
			2PDT	AR16F0N-C2E3□	AR16F5N-C2E3□
Flush rectangular with guard		6V AC/DC	SPDT	AR16G0N-C1A3□	AR16G5N-C1A3□
			2PDT	AR16G0N-C2A3□	AR16G5N-C2A3□
		12V AC/DC	SPDT	AR16G0N-C1B3□	AR16G5N-C1B3□
			2PDT	AR16G0N-C2B3□	AR16G5N-C2B3□
		24V AC/DC	SPDT	AR16G0N-C1E3□	AR16G5N-C1E3□
			2PDT	AR16G0N-C2E3□	AR16G5N-C2E3□
Flush square		6V AC/DC	SPDT	AR16F0M-C1A3□	AR16F5M-C1A3□
			2PDT	AR16F0M-C2A3□	AR16F5M-C2A3□
		12V AC/DC	SPDT	AR16F0M-C1B3□	AR16F5M-C1B3□
			2PDT	AR16F0M-C2B3□	AR16F5M-C2B3□
		24V AC/DC	SPDT	AR16F0M-C1E3□	AR16F5M-C1E3□
			2PDT	AR16F0M-C2E3□	AR16F5M-C2E3□
Extended round		6V AC/DC	SPDT	AR16E0L-C1A3□	AR16E5L-C1A3□
			2PDT	AR16E0L-C2A3□	AR16E5L-C2A3□
		12V AC/DC	SPDT	AR16E0L-C1B3□	AR16E5L-C1B3□
			2PDT	AR16E0L-C2B3□	AR16E5L-C2B3□
		24V AC/DC	SPDT	AR16E0L-C1E3□	AR16E5L-C1E3□
			2PDT	AR16E0L-C2E3□	AR16E5L-C2E3□

Note: • See page 21 for the outline dimensions.

• Button color

Replace the □ mark by the color code

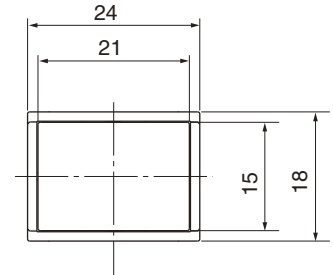
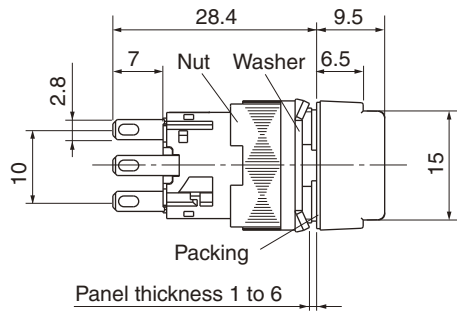
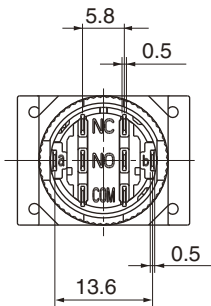
Color	Green	Red	White	Yellow	Orange	Blue
Code	G	R	W *1	Y	A	S

Note: *1 A combination of the transparent button and the white legend plate comes to white.

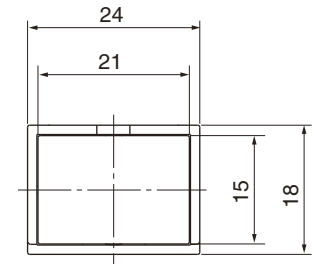
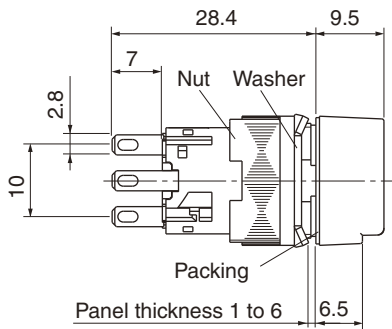
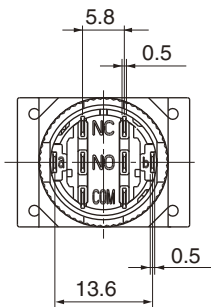
Command Switches AR16 and DR16 Type numbers and dimensions

• Dimensions, mm

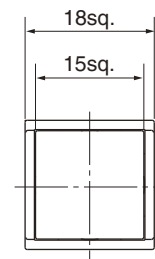
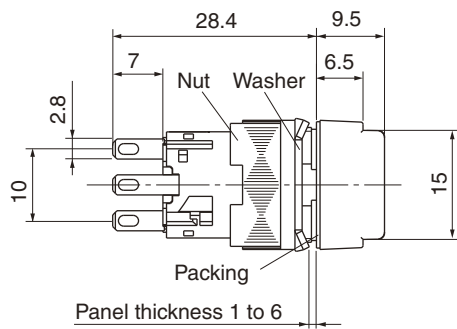
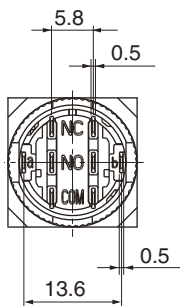
Flush rectangular
AR16F0N, F5N



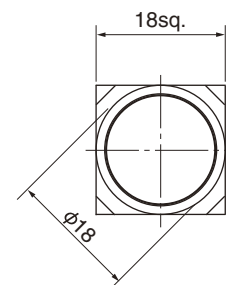
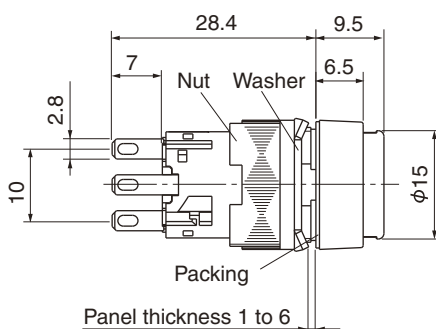
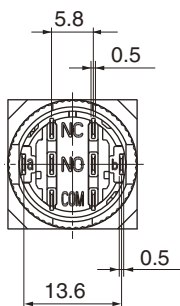
Flush rectangular with guard
AR16G0N, G5N



Flush square
AR16F0M, F5M



Extended round
AR16E0L, E5L



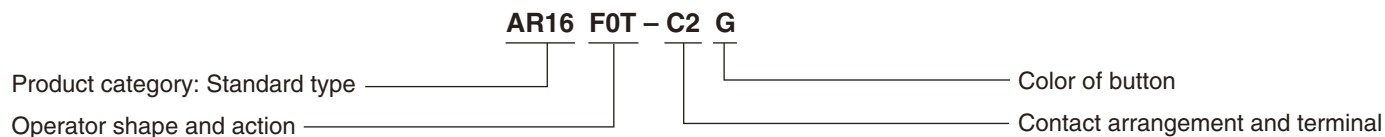
Command Switches

AR16 and DR16

Type numbers and dimensions

■ Pushbutton switches

• Type number system



• Type

Operator	Appearance (Standard type)	Contact arrangement	Momentary action Type	Alternate action Type
Flush rectangular	AR16F0T, F5T 	SPDT	AR16F0T-C1 □	AR16F5T-C1 □
		2PDT	AR16F0T-C2 □	AR16F5T-C2 □
Flush rectangular with guard	AR16G0T, G5T 	SPDT	AR16G0T-C1 □	AR16G5T-C1 □
		2PDT	AR16G0T-C2 □	AR16G5T-C2 □
Flush square	AR16F0S, F5S 	SPDT	AR16F0S-C1 □	AR16F5S-C1 □
		2PDT	AR16F0S-C2 □	AR16F5S-C2 □
Extended round	AR16E0R, E5R 	SPDT	AR16E0R-C1 □	AR16E5R-C1 □
		2PDT	AR16E0R-C2 □	AR16E5R-C2 □

Note: • See page 23 for the outline dimensions.

• Button color

Replace the □ mark by the color code

Color	Green	Red	Black	White	Yellow	Orange	Blue
Code	G	R	B * ¹	W * ²	Y	A	S

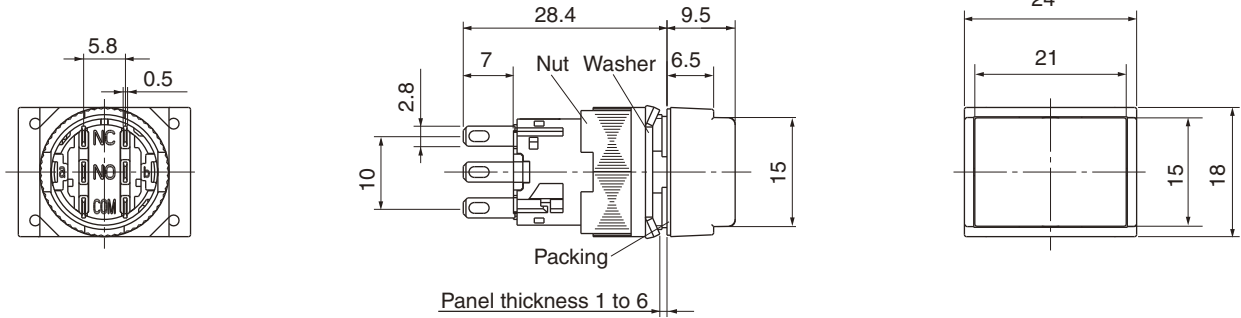
Notes: *¹ A combination of the transparent button and the black legend plate comes to black.

*² A combination of the transparent button and the white legend plate comes to white.

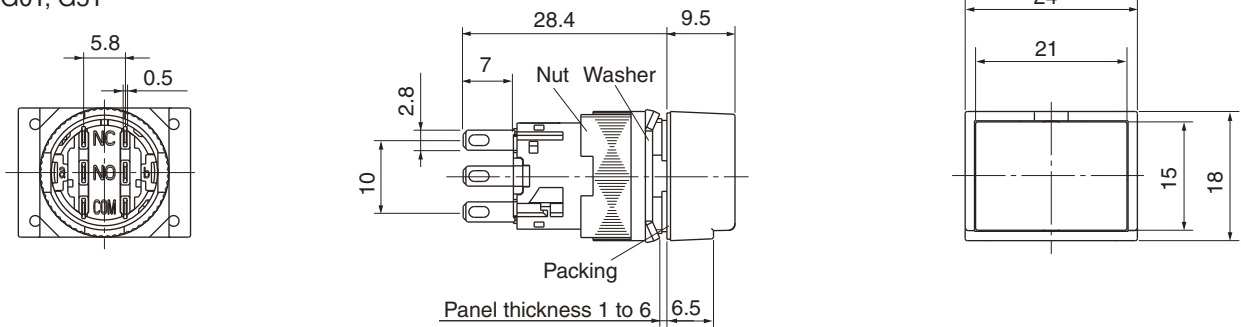
Command Switches AR16 and DR16 Type numbers and dimensions

• Dimensions, mm

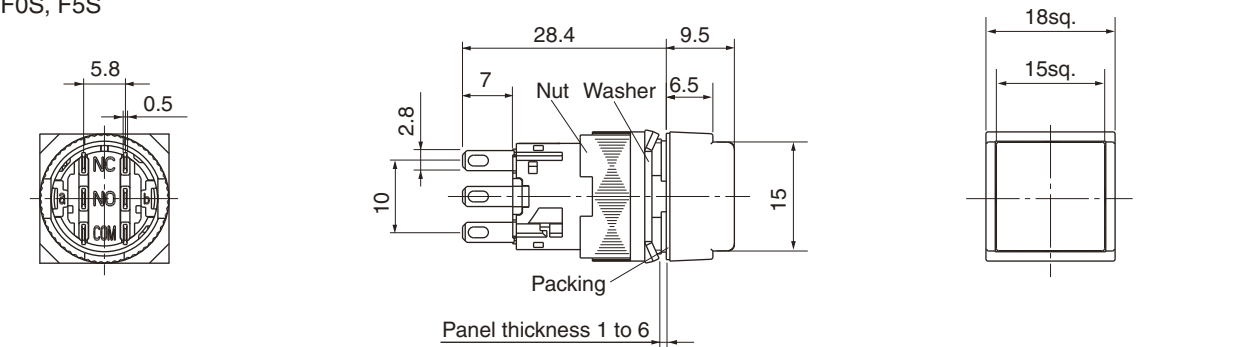
Flush rectangular
AR16F0T, F5T



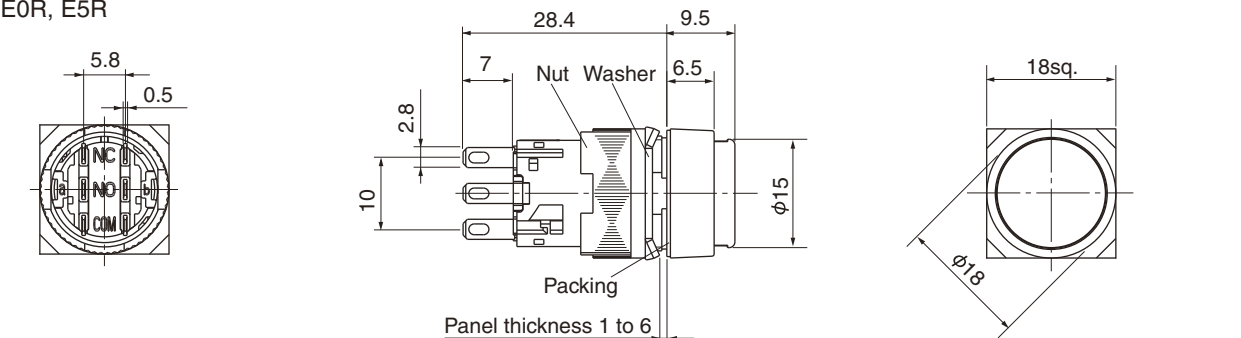
Flush rectangular with guard
AR16G0T, G5T



Flush square
AR16F0S, F5S



Extended round
AR16E0R, E5R



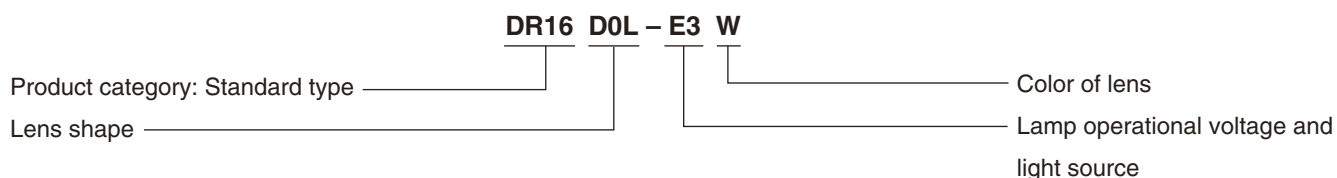
Command Switches

AR16 and DR16


Type numbers and dimensions

■ Pilot lights (LED illuminated)

• Type number system



• Type

Lens	Appearance (Standard type)	LED lamp operational voltage	Type
Flush rectangular		6V AC/DC	DR16F0N-A3□
		12V AC/DC	DR16F0N-B3□
		24V AC/DC	DR16F0N-E3□
Flush square		6V AC/DC	DR16F0M-A3□
		12V AC/DC	DR16F0M-B3□
		24V AC/DC	DR16F0M-E3□
Extended round		6V AC/DC	DR16E0L-A3□
		12V AC/DC	DR16E0L-B3□
		24V AC/DC	DR16E0L-E3□
Dome		6V AC/DC	DR16D0L-A3□
		12V AC/DC	DR16D0L-B3□
		24V AC/DC	DR16D0L-E3□

Note: • See page 25 for the outline dimensions.

• Lens color

Replace the □ mark by the color code

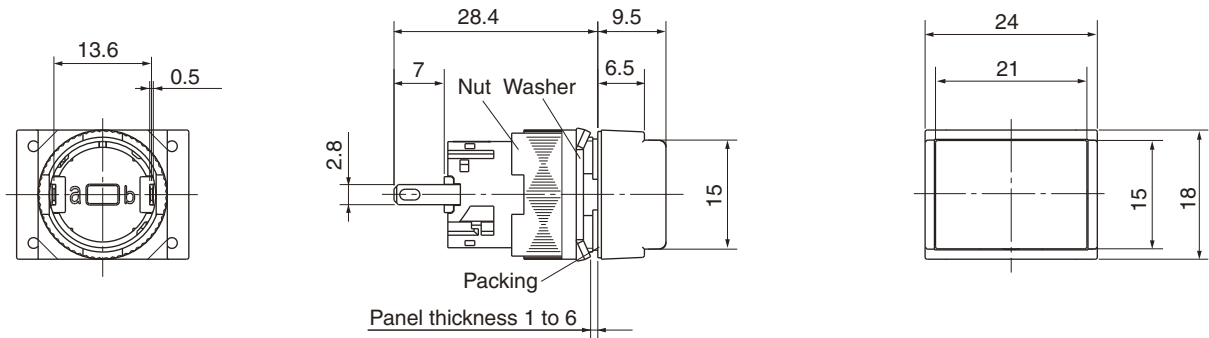
Color	Green	Red	White	Yellow	Orange	Blue
Code	G	R	W *1	Y	A	S

Note: *1 A combination of the transparent lens and the white legend plate comes to white (except for dome type).

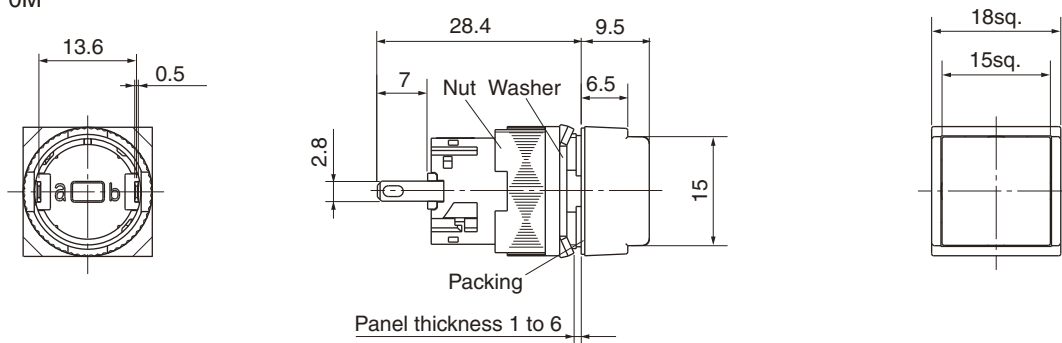
Command Switches AR16 and DR16 Type numbers and dimensions

• Dimensions, mm

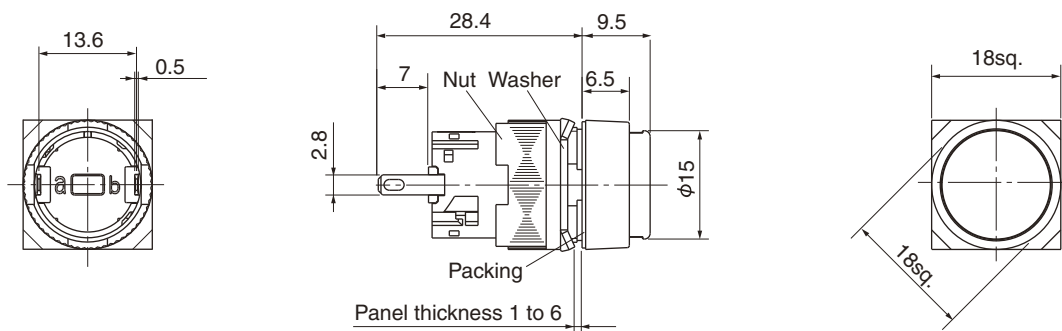
Flush rectangular
DR16F0N



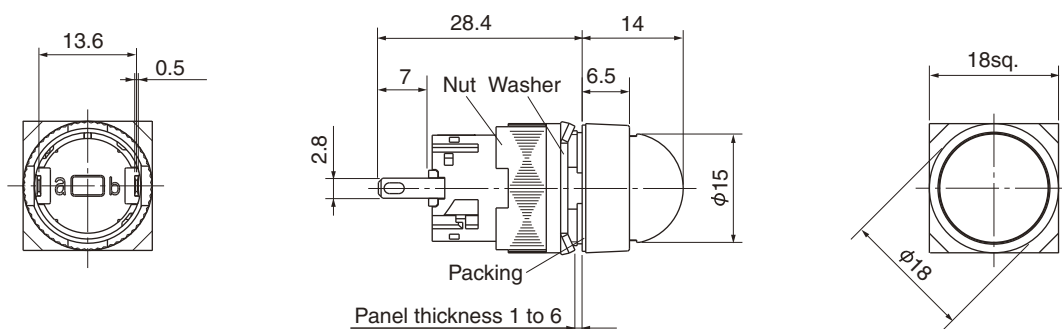
Flush square
DR16F0M



Extended round
DR16E0L



Dome
DR16D0L



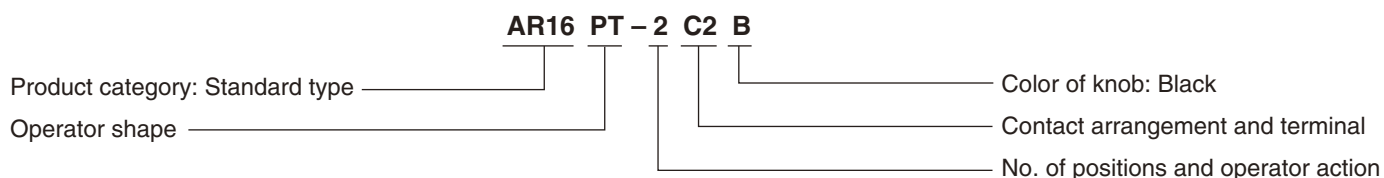
Command Switches

AR16 and DR16

Type numbers and dimensions




■ Selector switches (Knob type)

• Type number system

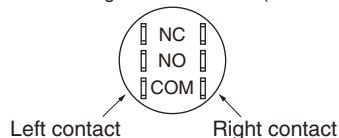


• Type

2-position

Operator and appearance (Standard type)	No. of positions	Contact arrangement	Type		Contact operation				
			1	2	Contact unit ^{*1}		Operator position ^{*2}		
			Maintained/90°	Spring return/90°			1	2	
Knob with rectangular bezel/ AR16PT 	2-position	SPDT	AR16PT-2C1B	AR16PT-0C1B	Left	COM	NC	●	
			AR16PS-2C1B	AR16PS-0C1B					
			AR16PR-2C1B	AR16PR-0C1B					●
Knob with square bezel/ AR16PS 	2-position	2PDT	AR16PT-2C2B	AR16PT-0C2B	Left	COM	NC	●	
			AR16PS-2C2B	AR16PS-0C2B					
			AR16PR-2C2B	AR16PR-0C2B					●
Knob with round bezel/ AR16PR 	2-position	2PDT	AR16PR-2C2B	AR16PR-0C2B	Right	COM	NC	●	
									●

Note: ^{*1} Terminal arrangement of contact (View from the terminal side (the back)).



^{*2} ●: Means the contact closed (ON).

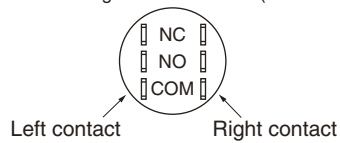
• See page 28 for the outline dimensions.

Command Switches AR16 and DR16 Type numbers and dimensions

3-position

Operator and appearance (Standard type)	No. of positions	Contact arrangement	Type		Contact operation							
			 Maintained/each 45°	 Spring return/each 45°	Contact unit ¹	Operator position ²						
						1	2	3				
Knob with rectangular bezel/ AR16PT Knob with square bezel/ AR16PS Knob with round bezel/ AR16PR 	3-position	2PDT	AR16PT-3C2B	AR16PT-1C2B	Left	COM	NC	●				
							NO		●			
			AR16PS-3C2B	AR16PS-1C2B	Right	COM	NC		●			
							NO	●				
					AR16PR-3C2B	AR16PR-1C2B						
			 Spring/manual return/each 45°	 Spring/manual return/each 45°	Contact unit ¹			Operator position ²				
			AR16PT-6C2B	AR16PT-7C2B	Left	COM	NC	●				
							NO		●			
			AR16PS-6C2B	AR16PS-7C2B	Right	COM	NC		●			
							NO	●				
			AR16PR-6C2B	AR16PR-7C2B								

Notes: ¹ Terminal arrangement of contact (View from the terminal side (the back)).



² ●, ●: means the contact closed (ON).
 • See page 28 for the outline dimensions.

Command Switches

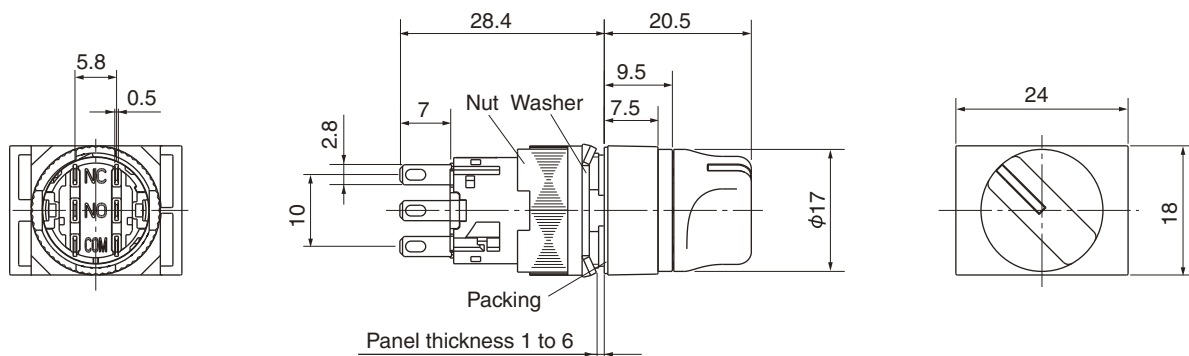
AR16 and DR16

Type numbers and dimensions

• Dimensions, mm

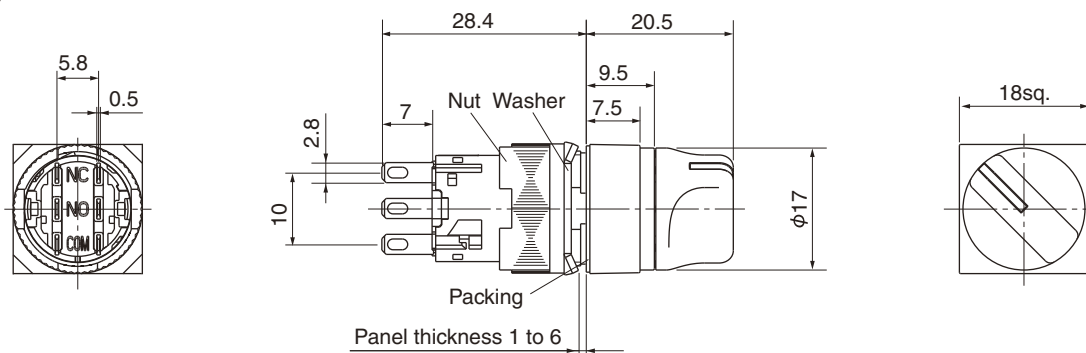
Knob with rectangular bezel

AR16PT



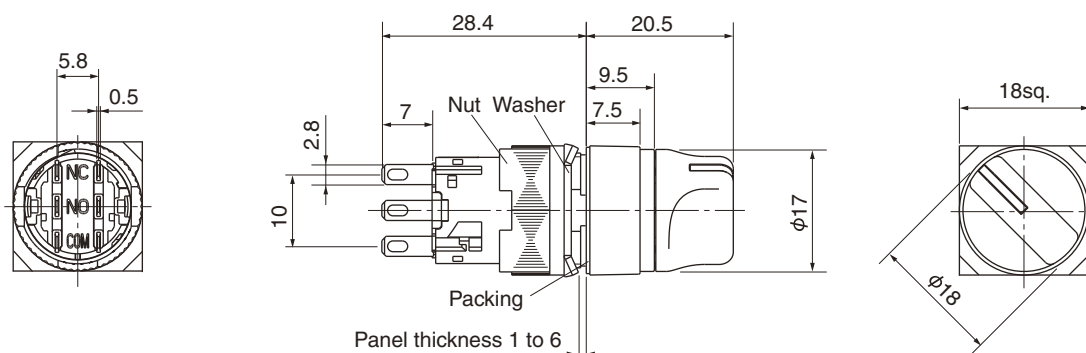
Knob with square bezel

AF16PS



Knob with round bezel

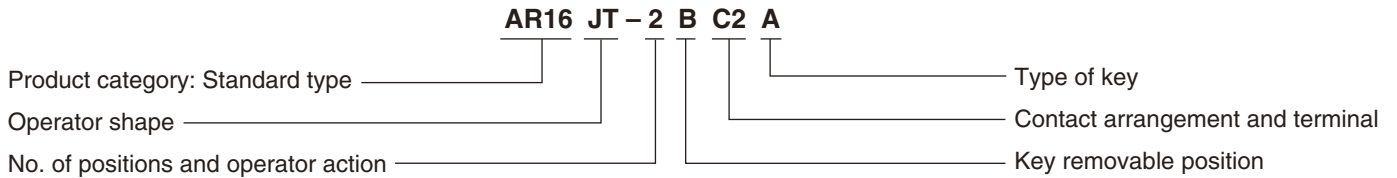
AF16PR



Command Switches AR16 and DR16 Type numbers and dimensions




■ Selector switches (Key type)

• Type number system

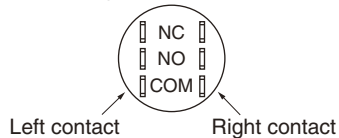


• Type

2-position

Operator and appearance (Standard type)	No. of positions	Contact arrangement	Type		Contact operation			
			1 2 Maintained/90°	1 2 Spring return/90°	Contact unit ^{*1}	Operator position ^{*2}		
						1	2	
Key with rectangular bezel/ AR16JT 	2-position	SPDT	AR16JT-2■C1A	AR16JT-0AC1A	Left	COM	NC ●	
			AR16JS-2■C1A	AR16JS-0AC1A				
			AR16JR-2■C1A	AR16JR-0AC1A				●
Key with square bezel/ AR16JS 	2-position	2PDT	AR16JT-2■C2A	AR16JT-0AC2A	Left	COM	NC ●	
			AR16JS-2■C2A	AR16JS-0AC2A				●
Key with round bezel/ AR16JR 	2-position	2PDT	AR16JR-2■C2A	AR16JR-0AC2A	Right	COM	NC ●	
								●

Notes: *¹ Terminal arrangement of contact (View from the terminal side (the back)).



*² ●: Means the contact closed (ON).
• See page 31 for the outline dimensions.

• Key removable position

Specify the key removal position in the square ■ mark.

Key removable position	Applied operator action		Code
	2	0	
Left ⊖	○	○	A
Left•Right ⊗	○	—	B
Left ⊕	○	—	D

○: Available —: Not available

• Type of key

Type ^{*1}	A	B	C	D	E	F
Code	A	B	C	D	E	F

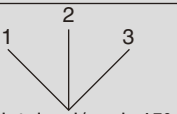
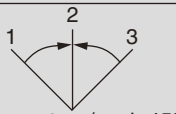



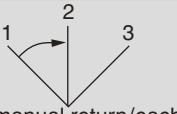
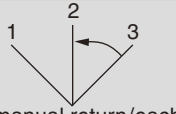
*¹ "A" is standard.

Command Switches

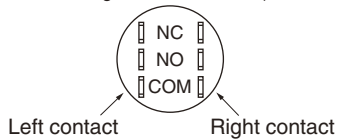
AF16 and DF16

Type numbers and dimensions

3-position

Operator and appearance (Standard type)	No. of positions	Contact arrangement	Type		Contact operation					
			 Maintained/each 45°	 Spring return/each 45°	Contact unit ¹	Operator position ²				
							1 2 3			
Key with rectangular bezel/ AR16JT  Key with square bezel/ AR16JS  Key with round bezel/ AR16JR 	3-position	2PDT	AR16JT-3■C2A	AR16JT-1EC2A	Left	COM	NC	●		
			AR16JS-3■C2A	AR16JS-1EC2A			NO	●		
			AR16JR-3■C2A	AR16JR-1EC2A	Right	COM	NC	●		
							NO	●		
						 Spring/manual return/each 45°	 Spring/manual return/each 45°	Contact unit ¹	Operator position ²	1 2 3
			AR16JT-6■C2A	AR16JT-7■C2A	Left	COM	NC	●		
AR16JS-6■C2A	AR16JS-7■C2A	NO	●							
AR16JR-6■C2A	AR16JR-7■C2A	Right	COM	NC	●					
				NO	●					

Notes: *1 Terminal arrangement of contact (View from the terminal side (the back)).



*2 ●, ●: Means the contact closed (ON).
 • See page 31 for the outline dimensions.

• Key removal position

Specify the key removal position in the square ■ mark.

Key removable position	Applied operator action				Code
	3	6	7	1	
Left ○	○	—	○	—	A
Left•Right ⊗	○	—	—	—	B
Left•Center•Right ⊗	○	—	—	—	C
Right ⊘	○	○	—	—	D
Center ⊙	○	○	○	○	E
Center•Right ⊘	○	○	—	—	F
Left•Center ⊘	○	—	○	—	G

○: Available —: Not available

• Type of key

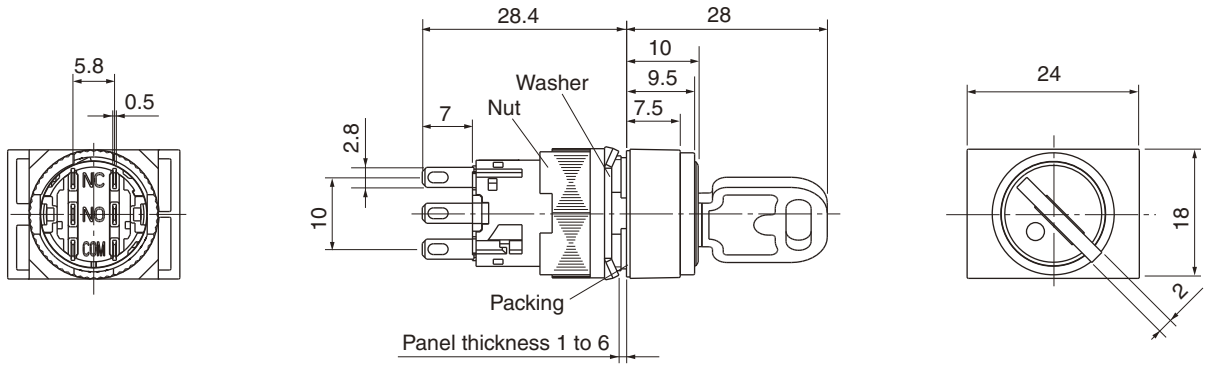
Type ¹	A	B	C	D	E	F
Code	A	B	C	D	E	F

*1 "A" is standard.

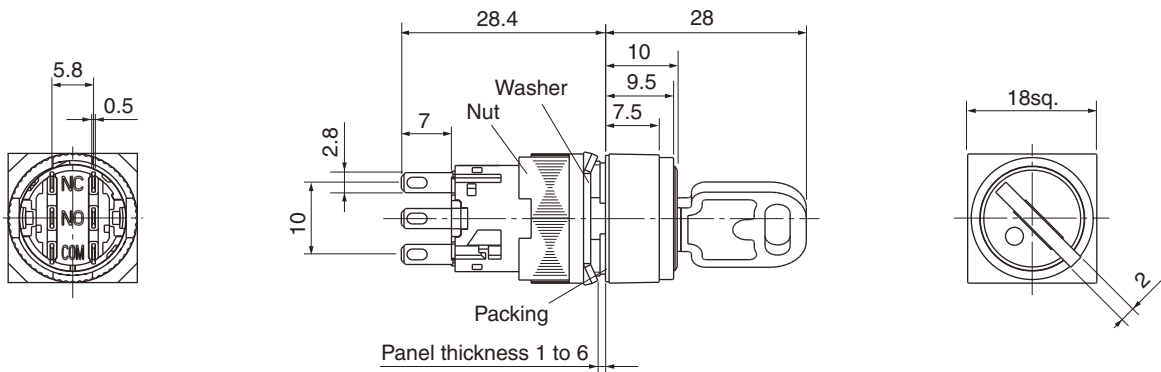
Command Switches AF16 and DF16 Type numbers and dimensions

• Dimensions, mm

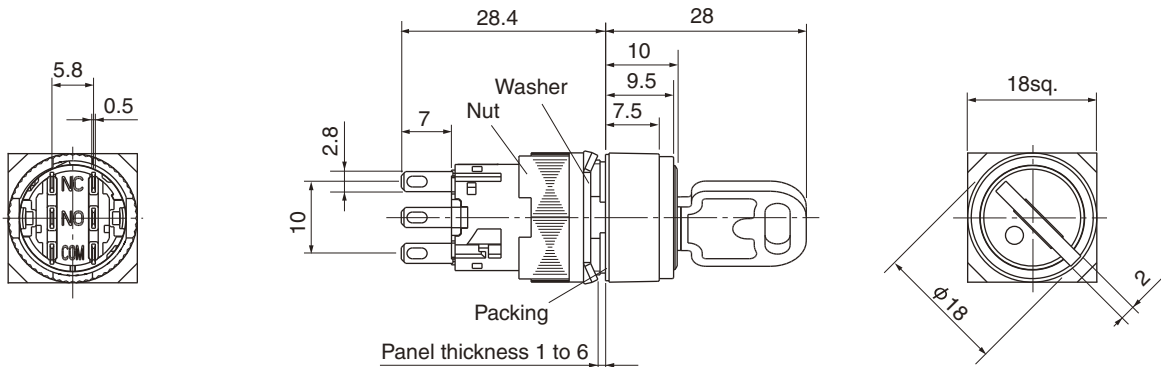
Key with rectangular bezel
AR16JT



Key with square bezel
AR16JS



Key with round bezel
AR16JR



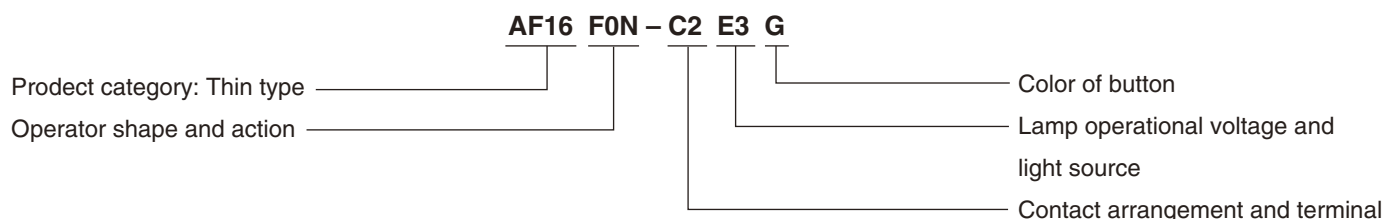
Command Switches

AF16 and DF16




Type numbers and dimensions

■ Illuminated pushbutton switches (LED lamp)

• Type number system



• Type

Operator	Appearance (Thin type)	LED lamp operational voltage	Contact arrangement	Momentary action Type	Alternate action Type
Flush rectangular		6V AC/DC	SPDT	AF16F0N-C1A3□	AF16F5N-C1A3□
			2PDT	AF16F0N-C2A3□	AF16F5N-C2A3□
		12V AC/DC	SPDT	AF16F0N-C1B3□	AF16F5N-C1B3□
			2PDT	AF16F0N-C2B3□	AF16F5N-C2B3□
		24V AC/DC	SPDT	AF16F0N-C1E3□	AF16F5N-C1E3□
			2PDT	AF16F0N-C2E3□	AF16F5N-C2E3□
Flush square		6V AC/DC	SPDT	AF16F0M-C1A3□	AF16F5M-C1A3□
			2PDT	AF16F0M-C2A3□	AF16F5M-C2A3□
		12V AC/DC	SPDT	AF16F0M-C1B3□	AF16F5M-C1B3□
			2PDT	AF16F0M-C2B3□	AF16F5M-C2B3□
		24V AC/DC	SPDT	AF16F0M-C1E3□	AF16F5M-C1E3□
			2PDT	AF16F0M-C2E3□	AF16F5M-C2E3□
Flush round		6V AC/DC	SPDT	AF16F0L-C1A3□	AF16F5L-C1A3□
			2PDT	AF16F0L-C2A3□	AF16F5L-C2A3□
		12V AC/DC	SPDT	AF16F0L-C1B3□	AF16F5L-C1B3□
			2PDT	AF16F0L-C2B3□	AF16F5L-C2B3□
		24V AC/DC	SPDT	AF16F0L-C1E3□	AF16F5L-C1E3□
			2PDT	AF16F0L-C2E3□	AF16F5L-C2E3□

Note: • The panel cutting dimensions differ depending on the operator shape of thin type model. See page 44.
 • For the dimensions, see page 33.

• Button color

Replace the □ mark by the color code.

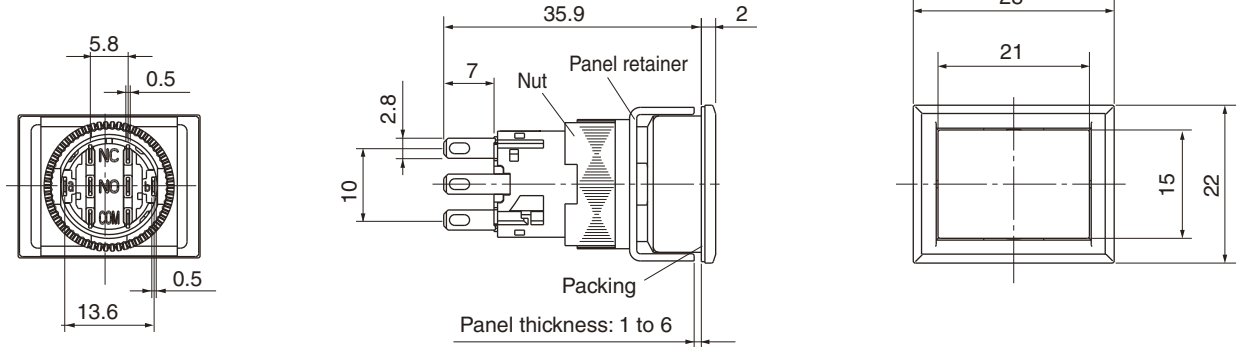
Color	Green	Red	White	Yellow	Orange	Blue
Code	G	R	W *1	Y	A	S

Note: *1 A combination of the translucent button and the white legend plate comes to white lens.

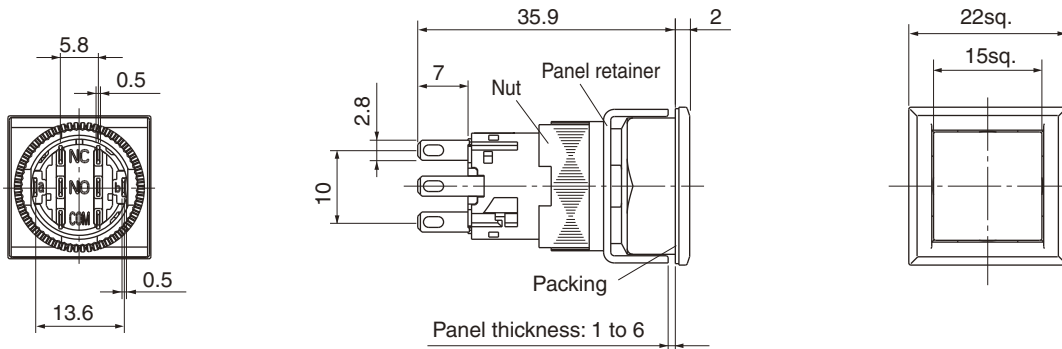
Command Switches AF16 and DF16 Type numbers and dimensions

• Dimensions, mm

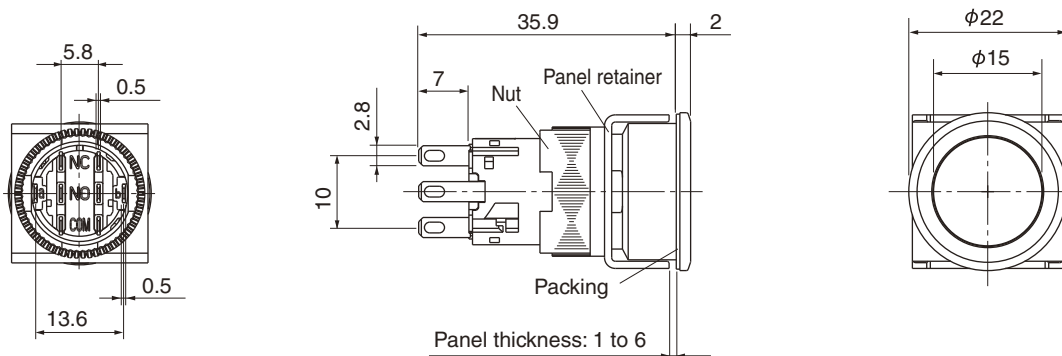
Flush rectangular
AF16F0N, F5N



Flush square
AF16F0M, F5M



Flush round
AF16F0L, F5L



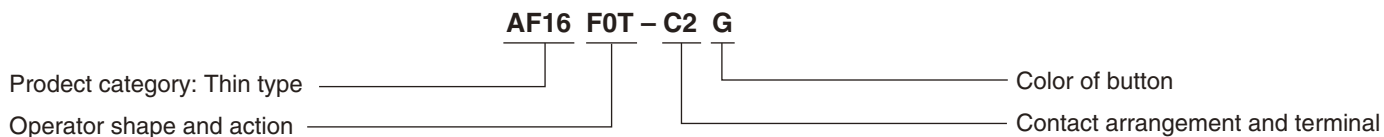
Command Switches

AF16 and DF16




Type numbers and dimensions

■ Pushbutton switches

• Type number system



• Type

Operator	Appearance (Thin type)	Contact arrangement	Momentary action Type	Alternate action Type
Flush rectangular	AF16F0T, F5T 	SPDT	AF16F0T-C1 □	AF16F5T-C1 □
		2PDT	AF16F0T-C2 □	AF16F5T-C2 □
Flush square	AF16F0S, F5S 	SPDT	AF16F0S-C1 □	AF16F5S-C1 □
		2PDT	AF16F0S-C2 □	AF16F5S-C2 □
Flush round	AF16F0R, F5R 	SPDT	AF16F0R-C1 □	AF16F5R-C1 □
		2PDT	AF16F0R-C2 □	AF16F5R-C2 □

Note: • The panel cutting dimensions differ depending on the operator shape of thin type model. See page 44.
 • For the dimensions, see page 35.

• Button color

Replace the □ mark by the color code.

Color	Green	Black	Red	White	Yellow	Orange	Blue
Code	G	B * ¹	R	W * ²	Y	A	S

Notes: *¹ A combination of the translucent button and the black legend plate comes to black.

*² A combination of the translucent button and the white legend plate comes to white.

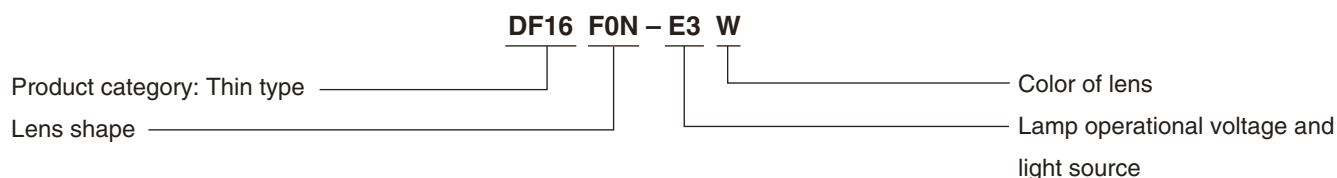
Command Switches

AF16 and DF16

Type numbers and dimensions

■ Pilot lights (LED lamp)

• Type number system



• Type

Lens	Appearance (Thin type)	LED lamp operational voltage	Type
Flush rectangular		6V AC/DC	DF16F0N-A3□
		12V AC/DC	DF16F0N-B3□
		24V AC/DC	DF16F0N-E3□
Flush square		6V AC/DC	DF16F0M-A3□
		12V AC/DC	DF16F0M-B3□
		24V AC/DC	DF16F0M-E3□
Flush round		6V AC/DC	DF16F0L-A3□
		12V AC/DC	DF16F0L-B3□
		24V AC/DC	DF16F0L-E3□

Note: • The panel cutting dimensions differ depending on the lens shape of thin type model. See page 44.
 • For the dimensions, see page 37.

• Lens color

Replace the □ mark by the color code

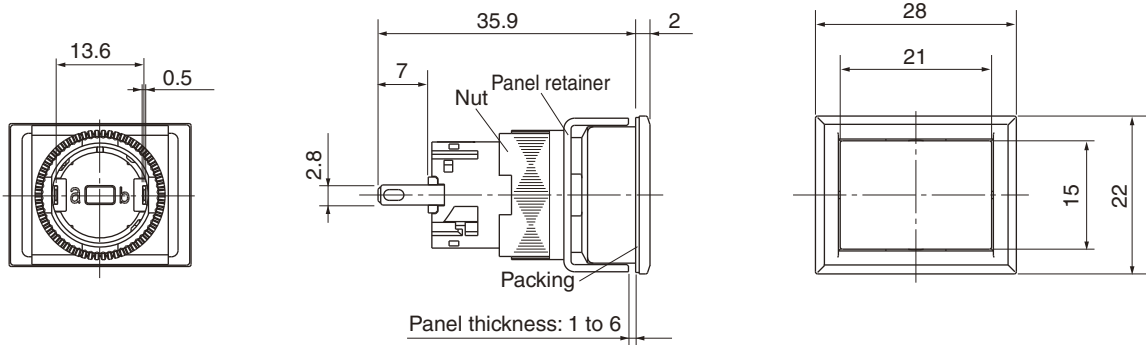
Color	Green	Red	White	Yellow	Orange	Blue
Code	G	R	W ^{*1}	Y	A	S

Note: ^{*1} A combination of the transparent lens and the white legend plate comes to white.

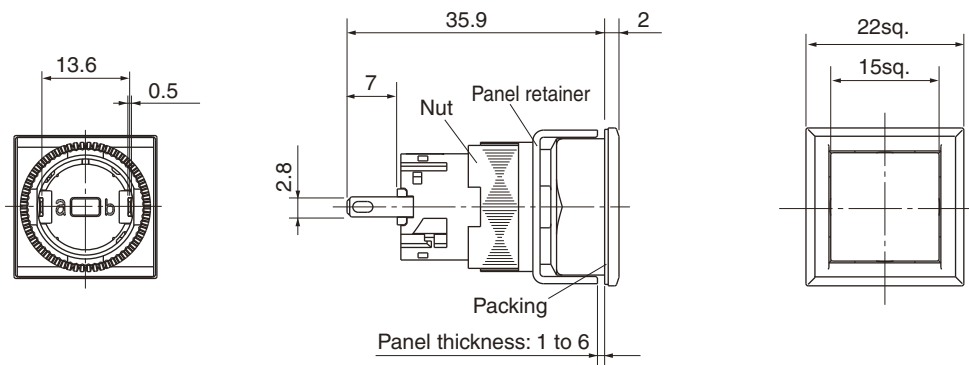
Command Switches AF16 and DF16 Type numbers and dimensions

• Dimensions, mm

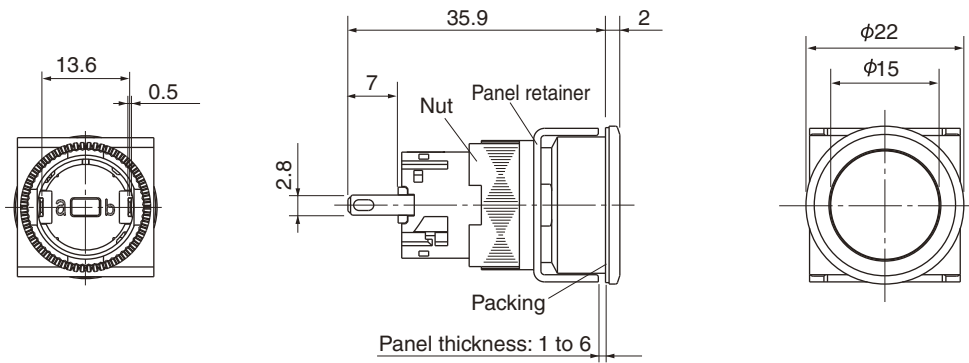
Flush rectangular
DF16F0N



Flush square
DF16F0M



Flush round
DF16F0L



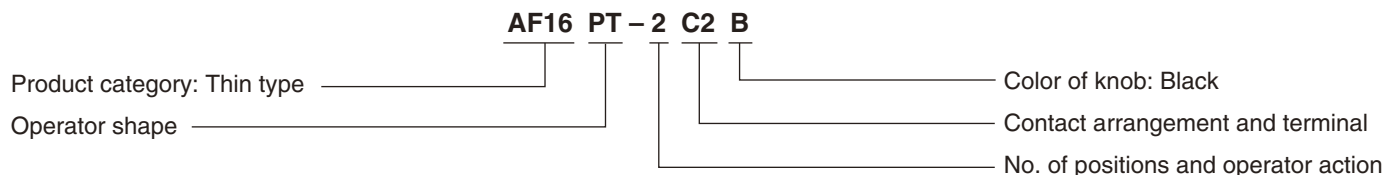
Command Switches

AF16 and DF16

Type numbers and dimensions

■ Selector switches (Knob type)

• Type number system

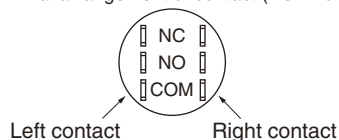


• Type

2-position

Operator (Thin type)	Contact arrangement	Type		Contact operation		
		 Maintained/90°	 Spring return/90°	Contact unit ^{*1}		
					Operator position ^{*2}	
					1	2
Knob with rectangular bezel/ AF16PT 	SPDT	AF16PT-2C1B	AF16PT-0C1B	Left	COM	NC ●
		AF16PS-2C1B	AF16PS-0C1B			NO ●
		AF16PR-2C1B	AF16PR-0C1B			
Knob with square bezel/ AF16PS 	2PDT	AF16PT-2C2B	AF16PT-0C2B	Left	COM	NC ●
		AF16PS-2C2B	AF16PS-0C2B			NO ●
Knob with round bezel/ AF16PR 		AF16PR-2C2B	AF16PR-0C2B	Right	COM	NC ●
						NO ●

Notes: ^{*1} Terminal arrangement of contact (view from terminal side).






^{*2} ●: Contact closed.

• The panel cutting dimensions differ depending on the operator shape of thin type model. See page 44.

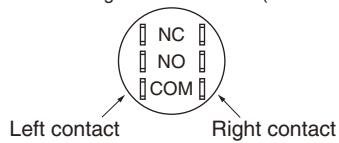
• For the dimensions, see page 40.

Command Switches AF16 and DF16 Type numbers and dimensions

3-position

Operator (Thin type)	Contact arrangement	Type		Contact operation							
		 Maintained/each 45°	 Spring return/each 45°	Contact unit ^{*1}	Operator position ^{*2}						
					1	2	3				
Knob with flush square/ AF16PT  Knob with square bezel/ AF16PR  Knob with round bezel/ AF16PR 	2PDT	AF16PT-3C2B	AF16PT-1C2B	Left	COM	NC					
		AF16PS-3C2B	AF16PS-1C2B				NO				
		AF16PR-3C2B	AF16PR-1C2B	Right	COM	NC					
							NO				
				 Spring/manual return/each 45°	 Spring/manual return/each 45°	Contact unit ^{*1}			Operator position ^{*2}		
				AF16PT-6C2B	AF16PT-7C2B	Left	COM	NC			
		AF16PS-6C2B	AF16PS-7C2B		NO						
		AF16PR-6C2B	AF16PR-7C2B	Right	COM	NC					
							NO				

Notes: ^{*1} Terminal arrangement of contact (view from terminal side).



^{*2} ●, : Contact closed.

- The panel cutting dimensions differ depending on the operator shape of thin type model. See page 44.
- For the dimensions, see page 40.

Command Switches

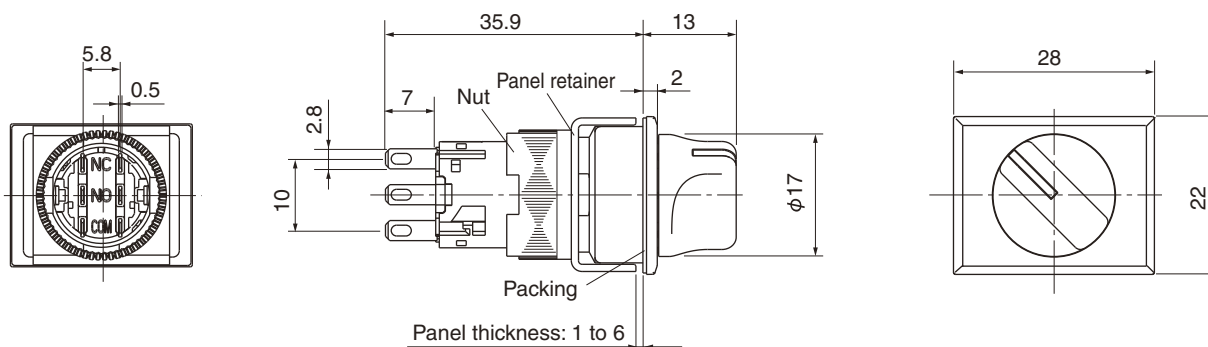
AF16 and DF16

Type numbers and dimensions

• Dimensions, mm

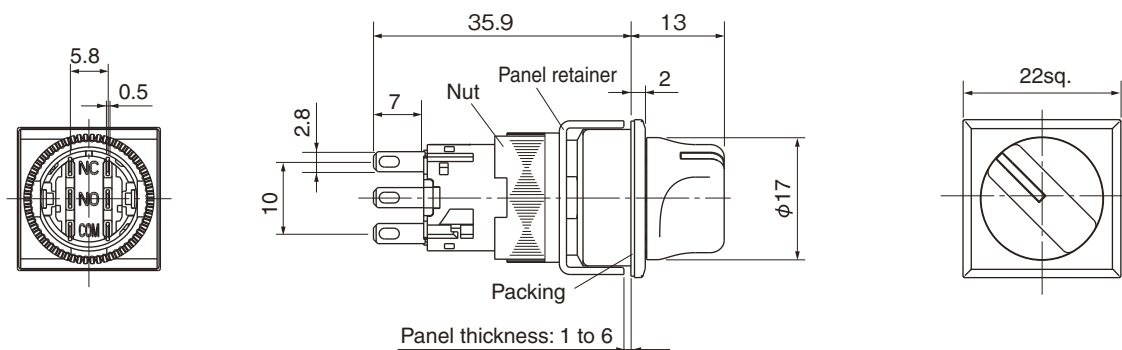
Knob with rectangular bezel

AF16PT



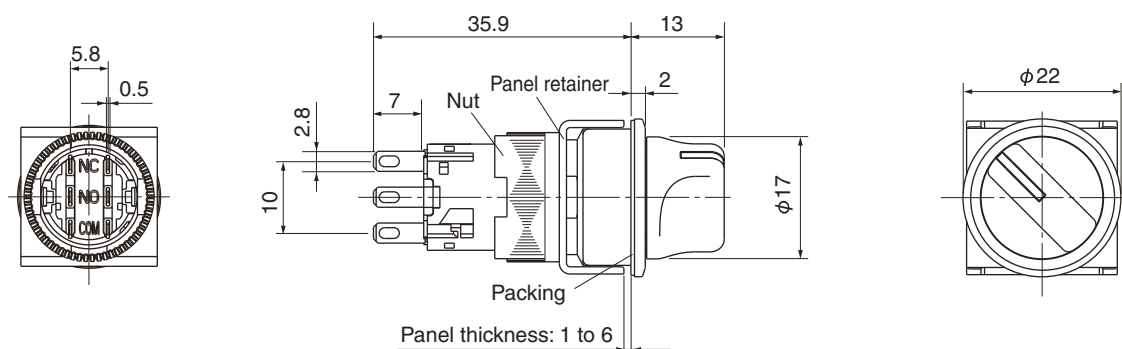
Knob with square bezel

AF16PS



Knob

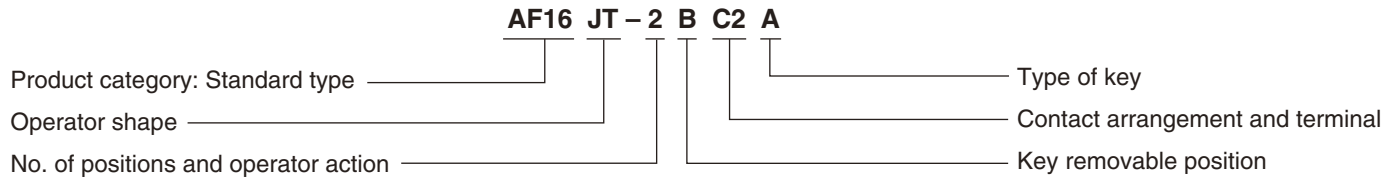
AF16PR




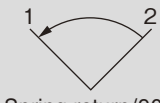



Command Switches AF16 and DF16 Type numbers and dimensions

■ Selector switches (Key type)

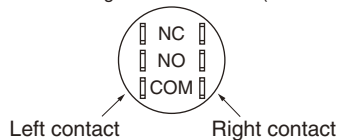
• Type number system



• Type 2-position

Operator (Thin type)	Contact arrangement	Type		Contact operation			
		 Maintained/90°	 Spring return/90°	Contact unit ^{*1}		Operator position ^{*2}	
						1	2
Key with rectangular bezel/ AF16JT 	SPDT	AF16JT-2■C1A	AF16JT-0AC1A	Left	COM	NC	●
		AF16JS-2■C1A	AF16JS-0AC1A			NO	●
		AF16JR-2■C1A	AF16JR-0AC1A				
Key with square bezel/ AF16JS 	2PDT	AF16JT-2■C2A	AF16JT-0AC2A	Left	COM	NC	●
		AF16JS-2■C2A	AF16JS-0AC2A			NO	●
Key with round bezel/ AF16JR 		AF16JR-2■C2A	AF16JR-0AC2A	Right	COM	NC	●
						NO	●

Notes: *1 Terminal arrangement of contact (view from terminal side).



- *2 ●: Contact closed.
 • The panel cutting dimensions differ depending on the operator shape of thin type model. See page 44.
 • For the dimensions, see page 43.

• Key removable position

Replace the ■ mark by the removable position code.

Removable position	Applied operator position		Code
	2	0	
Left ↙	○	○	A
Left•Right ⊗	○	—	B
Left ↻	○	—	C

○: Available —: Not available

• Type of key

Type ^{*1}	A	B	C	D	E	F
Code	A	B	C	D	E	F




*1 "A" is standard.

Command Switches

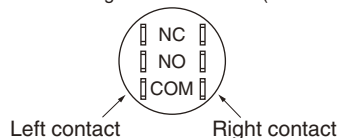
AF16 and DF16

Type numbers and dimensions

3-position

Operator (Thin type)	Contact arrangement	Type		Contact operation																			
		 Maintained/each 45°	 Spring return/each 45°	Contact unit ¹	Operator position ²																		
				<table border="1"> <tr> <td></td> <td></td> <td>1</td> <td>2</td> <td>3</td> </tr> </table>				1	2	3													
		1	2	3																			
Key with Flush square/ AF16JT  Key with square bezel/ AF16JS  Key with round bezel/ AF16JR 	2PDT	AF16JT-3■C2A AF16JS-3■C2A AF16JR-3■C2A	AF16JT-1EC2A AF16JS-1EC2A AF16JR-1EC2A	Left Right	<table border="1"> <tr> <td rowspan="2">COM</td> <td>NC</td> <td></td> <td></td> <td></td> </tr> <tr> <td>NO</td> <td></td> <td></td> <td></td> </tr> <tr> <td rowspan="2">COM</td> <td>NC</td> <td></td> <td></td> <td></td> </tr> <tr> <td>NO</td> <td></td> <td></td> <td></td> </tr> </table>	COM	NC				NO				COM	NC				NO			
		COM	NC																				
			NO																				
		COM	NC																				
			NO																				
				 Spring/manual return/each 45°	 Spring/manual return/each 45°	Contact unit ¹	Operator position ²																
				<table border="1"> <tr> <td></td> <td></td> <td>1</td> <td>2</td> <td>3</td> </tr> </table>				1	2	3													
		1	2	3																			
		AF16JT-6■C2A AF16JS-6■C2A AF16JR-6■C2A	AF16JT-7■C2A AF16JS-7■C2A AF16JR-7■C2A	Left Right	<table border="1"> <tr> <td rowspan="2">COM</td> <td>NC</td> <td></td> <td></td> <td></td> </tr> <tr> <td>NO</td> <td></td> <td></td> <td></td> </tr> <tr> <td rowspan="2">COM</td> <td>NC</td> <td></td> <td></td> <td></td> </tr> <tr> <td>NO</td> <td></td> <td></td> <td></td> </tr> </table>	COM	NC				NO				COM	NC				NO			
COM	NC																						
	NO																						
COM	NC																						
	NO																						

Notes: ¹ Terminal arrangement of contact (view from terminal side).



*² ●, : Contact closed.

- The panel cutting dimensions differ depending on the operator shape of thin type model. See page 44.
- For the dimensions, see page 43.

• Key removable position

Replace the ■ mark by the removable position code.

Removable position	Applied operation position				Code
	3	6	7	1	
Left ○	○	—	○	—	A
Left•Right ⊗	○	—	—	—	B
Left•Center• Right ⊗	○	—	—	—	C
Right ⊙	○	○	—	—	D
Center ⊕	○	○	○	○	E
Center•Right ⊗	○	○	—	—	F
Left•Center ⊕	○	—	○	—	G

○: Available —: Not available

• Type of key

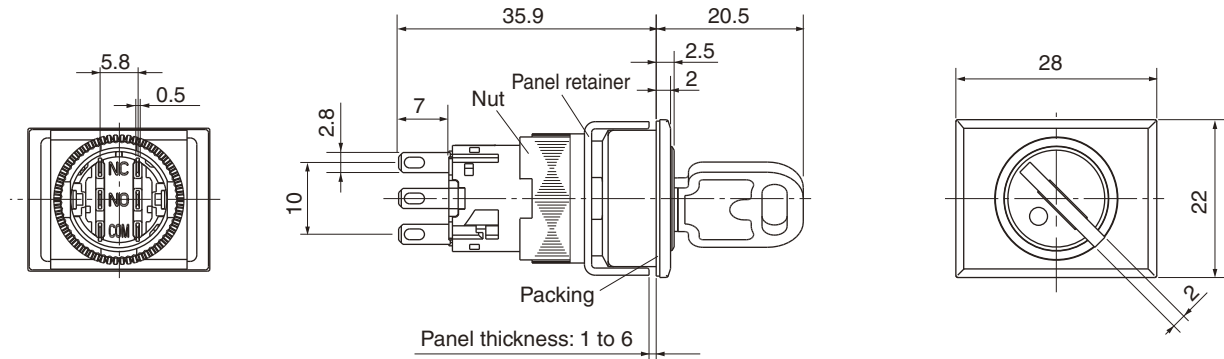
Type ¹	A	B	C	D	E	F
Code	A	B	C	D	E	F

*¹ "A" is standard.

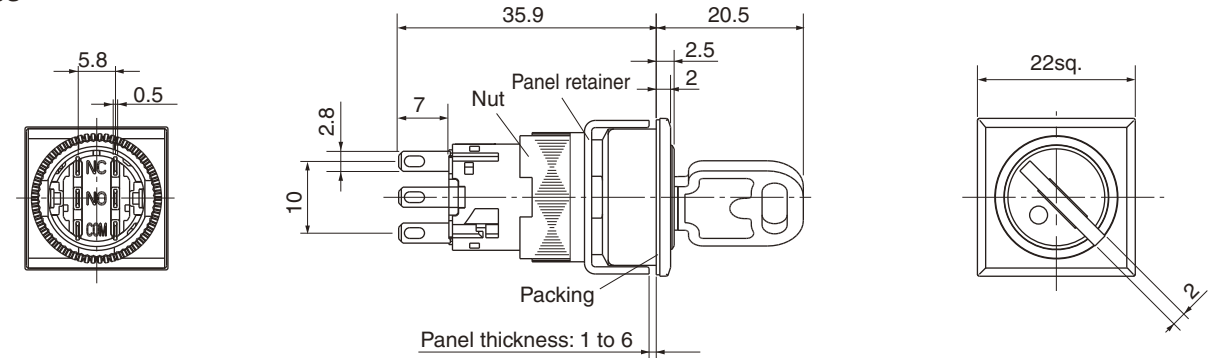
Command Switches AF16 and DF16 Type numbers and dimensions

• Dimensions, mm

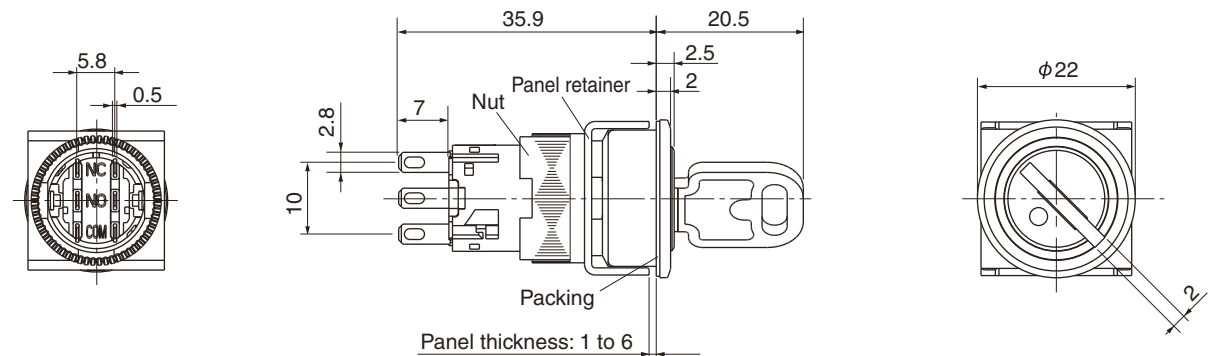
Key with rectangular bezel
AF16JT



Key with square bezel
AF16JS



Key with round bezel
AF16JR



Command Switches

AR16, DR16 and AF16, DF16

Panel cutout and mounting

Safety Precautions

Read the Operating Instructions carefully before mounting, wiring, operating, servicing, or inspecting the command switch. Make sure that the Operating Instructions is delivered to the final user of the command switch.

- The safety precautions are classified into two levels, Warning and Caution, with meanings described as follows:

Warning : If operation is incorrect, a dangerous situation may occur, resulting in death or serious injuries.

Caution : If operation is incorrect, a dangerous situation may occur, resulting in minor to medium injuries or physical damage to equipment.

An item described under CAUTION may result in a serious accident, depending on the situation.

Warning

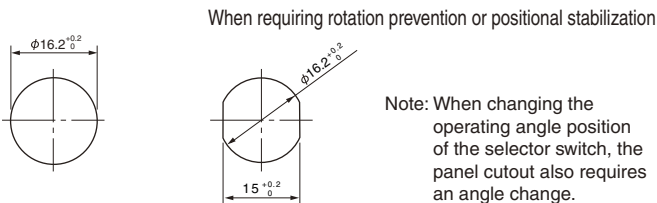
- Do not touch or approach any live part while power is supplied. An electric shock or burning may result.
- Be sure to turn off the power before mounting, dismounting, wiring, or inspecting the product. An electric shock, burning from short-circuiting or equipment malfunction may result.

Caution

- Wire the product according to the wiring instructions in the Operating Instructions. Make sure that the size of the wires is suitable for the voltage and applied current. The wrong wiring may result in fire, accidents or malfunctions.
- Treat the product as industrial waste when it is to be discarded.

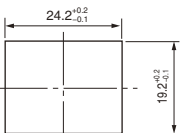
Panel cutout, mm

- Standard type (common)

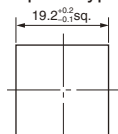


- Thin type (The panel cutout dimension varies depending on the operator or lens shape.)

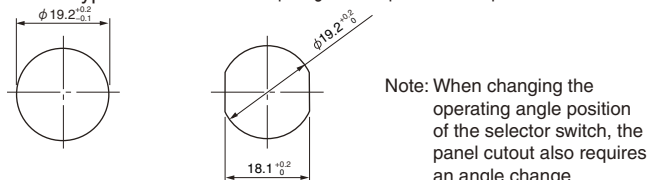
- Rectangular type



- Square type



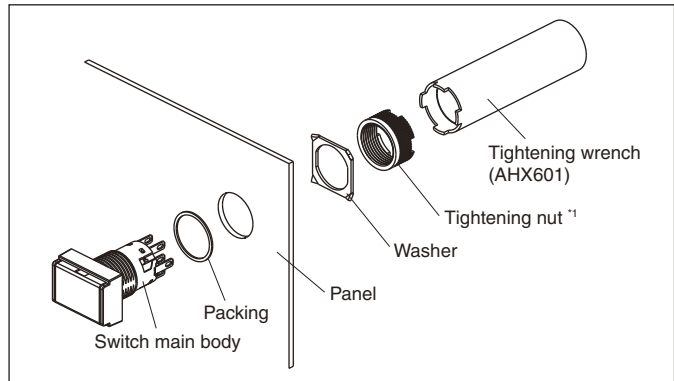
- Round type



Installation on panel

- As shown in the figure below, insert the switch main unit into the mounting hole from the front of the panel, attach the washer and tightening nut from the back of the panel, and securely tighten the nut with the wrench (AHX601).

Note: The proper tightening torque is 0.6 to 1.0 N•m.

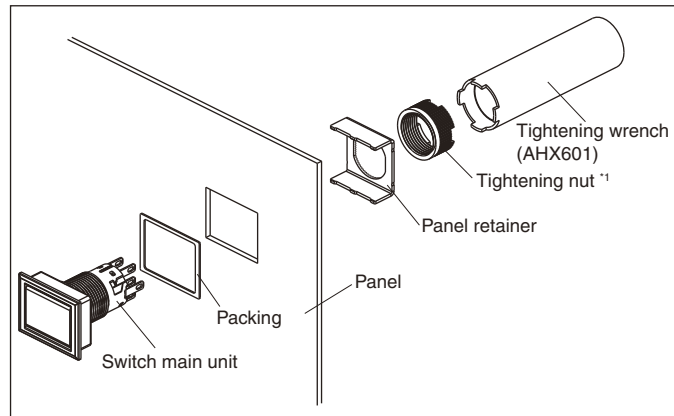


Note: **1 Do not use pliers or other improper tools to tighten the nut, or tighten it excessively. Otherwise, the nut may be damaged or the switch may malfunction.

Thin type

- As shown in the figure below, insert the switch main unit into the mounting hole from the front of the panel, attach the panel retainer from the back of the panel, and securely tighten the nut with the wrench (AHX601).

Note: The proper tightening torque is 0.6 to 1.0 N•m.



Note: **1 Do not use pliers or other improper tools to tighten the nut, or tighten it excessively. Otherwise, the nut may be damaged or the switch may malfunction.

Applicable panel thickness

Tables 1 and 2 show applicable panel thickness.

Table 1 Standard type (AR16/DR16 series)

Mounting condition		Applicable panel thickness, mm
Without accessories		1 to 6
With accessories	Protective cover	1 to 4
	Dust-tight cover	1 to 4
	Various sockets	1 to 3.2
	Terminal cover	1 to 3.2
	Protective cover + various sockets	1 to 1.6
	Protective cover + Terminal cover	1 to 1.6
	Dust-tight cover + various sockets	Cannot be used.
Dust-tight cover + Terminal cover	Cannot be used.	

Table 2 Thin type (AF16/DF16 series)

Mounting condition		Applicable panel thickness, mm
Without accessories		1 to 6
With accessories	Protective cover	1 to 4
	Various sockets	1 to 3.2
	Terminal cover	1 to 3.2
	Protective cover + various sockets	1 to 3.2
	Protective cover + Terminal cover	1 to 3.2

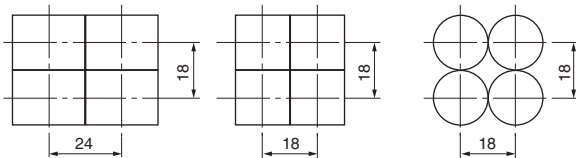
■ High-density mounting

Minimum mounting space (pitch) without accessories, mm

• Standard type (AR16/DR16 series)

Illuminated pushbuttons, pushbuttons, selectors, and pilot lights

- ① Rectangular ② Square ③ Round, dome

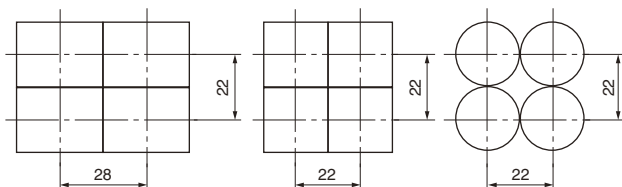


Note: Determine the mounting pitch by taking the operability and wiring work into consideration.

• Thin type (AF16/DF16 series)

Illuminated pushbuttons, pushbuttons, selectors, and pilot lights

- ① Rectangular ② Square ③ Round, dome

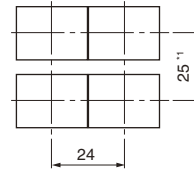


Note: Determine the mounting pitch by taking the operability and wiring work into consideration.

Minimum mounting space (pitch) with accessories, mm

• Protective cover AHX669 and AHX826

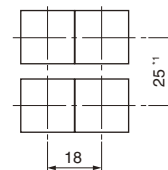
(Standard type)



① 43: with the cover fully opened

• Protective cover AHX671

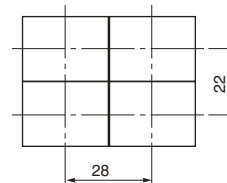
(Standard type)



① 43: with the cover fully opened

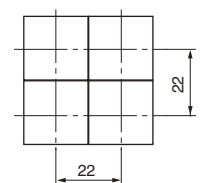
• Protective cover AF6D826

(Thin type)



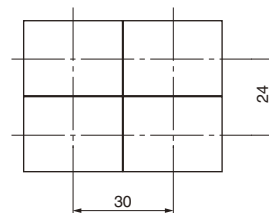
• Protective cover AF6D827

(Thin type)



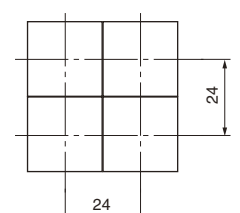
• Dust-tight cover AHX668

(Standard type)



• Dust-tight cover AHX822

(Standard type)



• Minimum mounting spaces (pitch) with sockets, such as connector socket (AR6S691) and PC board-use socket (AR6S692) are the same as those without accessories.

Note: Determine the mounting pitch by taking the operability and wiring workability into consideration.

Command Switches

AR16, DR16 and AF16, DF16

Notes on use

Safety Precautions

Read the Operating Instructions carefully before mounting, wiring, operating, servicing, or inspecting the command switch. Make sure that the Operating Instructions is delivered to the final user of the command switch.

- The safety precautions are classified into two levels, Warning and Caution, with meanings described as follows:

Warning : If operation is incorrect, a dangerous situation may occur, resulting in death or serious injuries.

Caution : If operation is incorrect, a dangerous situation may occur, resulting in minor to medium injuries or physical damage to equipment.

An item described under CAUTION may result in a serious accident, depending on the situation.

Warning

- Do not touch or approach any live part while power is supplied. An electric shock or burning may result.
- Be sure to turn off the power before mounting, dismantling, wiring, or inspecting the product. An electric shock, burning from short-circuiting, or equipment malfunction may result.

Caution

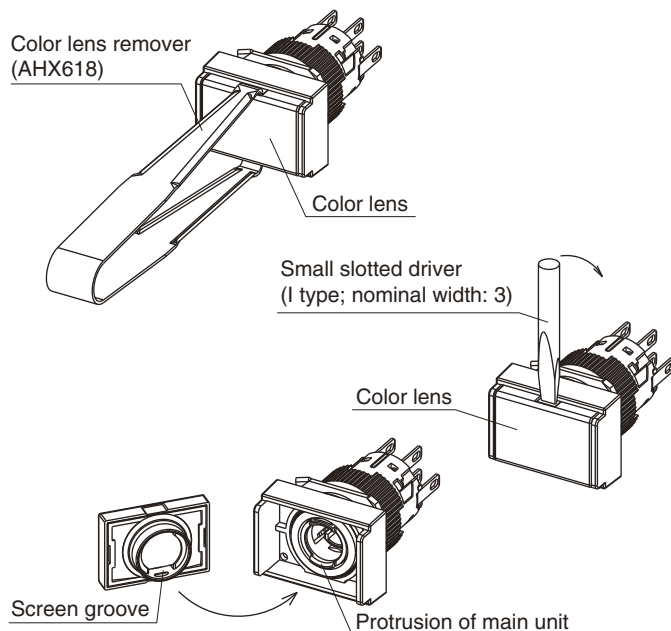
- Wire the product according to the wiring instructions in the Operating Instructions. Make sure that the size of the wires is suitable for the voltage and applied current. The wrong wiring may result in fire, accidents, or malfunctions.
- Treat the product as industrial waste when it is to be discarded.

Method of replacing color lens, legend plate, and screen

Replacing color lens (screen)

- Standard type (AR16/DR16 series)

To remove the color lens, fit the color lens remover (AHX618) to the grooves in the color lens and pull out the lens, or pry the lens lightly with a small slotted screwdriver.

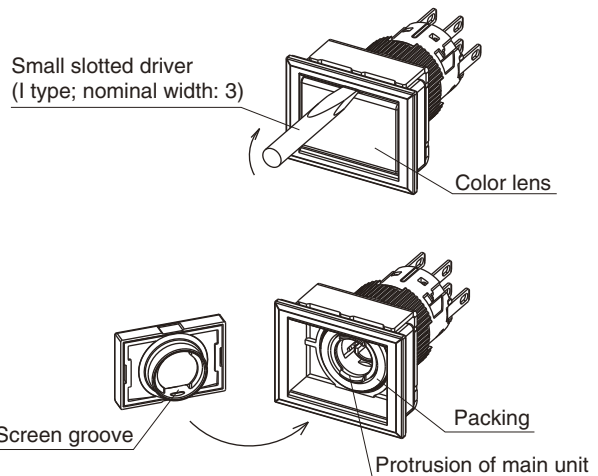


- Thin type (AF16/DF16 Series)

To remove the color lens, pry the lens lightly with a small slotted screwdriver.

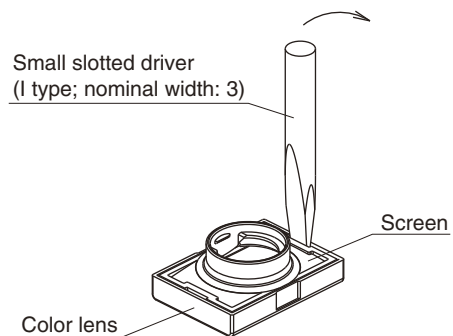
If one side of the color lens is separated from the screen, further insert the screwdriver and remove the color lens together with the screen. Do not pry the packing when doing this.

To fit the color lens, align the protrusion of switch main body with the groove of the screen, and press-fit them.



- Removing screen

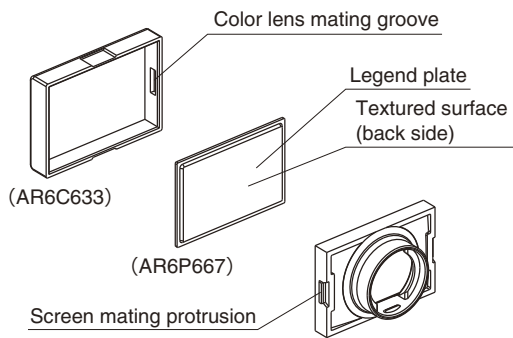
Insert the tip of a small slotted screwdriver into the groove and press down the screwdriver in the direction of the arrow.



Fitting color lens to screen

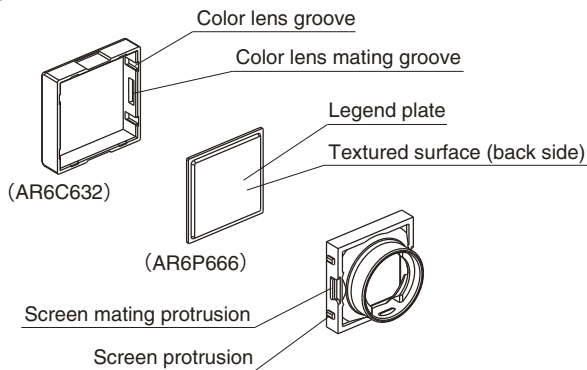
• Rectangular type

Set the textured surface side of the legend plate with the screen side, then press-fit the color lens. When press-fitting, make sure that your fingers do not touch the reflective surface inside the screen.



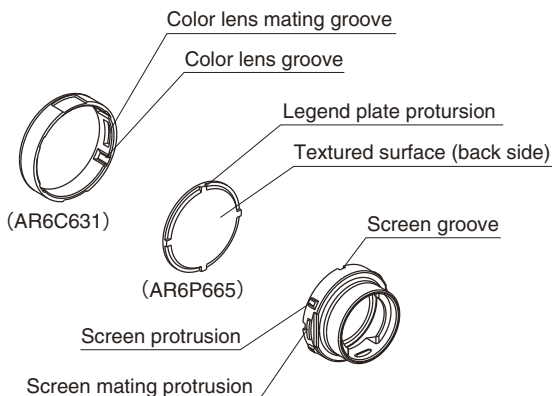
• Square type

Set the textured surface side of the legend plate with the screen side, align the screen protrusion with the color lens groove, and press-fit together. When press-fitting, make sure that your fingers do not touch the reflective surface inside the screen.



• Round type

Align the protrusion of the legend plate with the groove of the screen, also align the screen protrusion and color lens groove, and press-fit together. When press-fitting, make sure that your fingers do not touch the reflective surface inside the screen.



• For alternate action type of illuminated pushbutton switches and pushbutton switches, do not remove the color lenses (screens) in locked (depressed) state. The internal mechanisms may be damaged.

■ Engraving legend plate

Engrave the surface of the legend plate.

- Material: Acrylic resin
- Engraving depth: 0.5 mm max.
- Paint: Use a paint that has alcohol as its main ingredient, such as melamine paint, phthalic acid paint, or acrylic paint.

• Legend plate size

Shape	Size, mm
Rectangular	
Square	
Round	

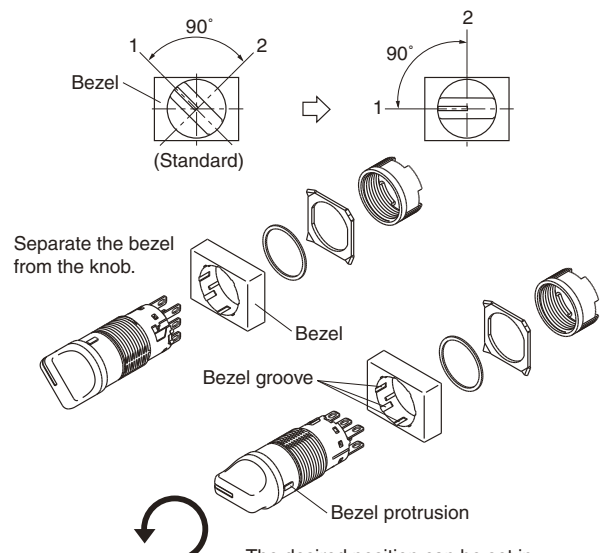
Notes: ¹ A legend sheet may be used, provided that the external dimensions do not exceed the corresponding outer size specified in the above table and that the thickness is 0.1 mm or below. (No legend sheets are provided with the product. Please prepare on customer side.)

² Do not engrave any part other than the legend plate.

■ Changing the operating angle position of selector switch

The bezel is separated from the knob (key), which makes it easy to change the operating angle position in 45° increments (the AR16 series rectangular or square type only).

The following figures show a knob type example. The key type is the same.



The desired position can be set in 45° intervals. Set the knob to the desired position, align the groove of the knob, and press-fit the knob.

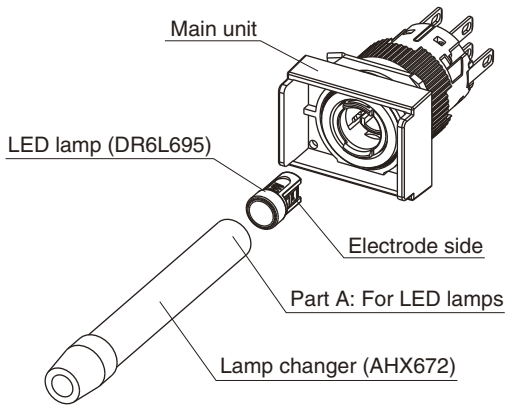
Command Switches

AR16, DR16 and AF16, DF16

Notes on use

Method of replacing lamp

- To remove the LED lamp, insert the lamp changer (AHX672) in the LED lamp and pull out the LED lamp. To mount the LED lamp, align the lamp terminal side of the main unit with the electrode side of the LED lamp, lightly hold the lamp by hand or with the head of the lamp changer (AHX672), and insert the lamp. The LED lamp has no polarity, so it can be powered by either AC or DC.



Handling of LEDs

LED whose luminous color is green or blue is sensitive to static electricity. Be careful when handling the LED. Take thorough measures against static electricity and surges when handling the product. The following anti-electrostatic measure is recommended. Use a wristband or anti-electrostatic glove when replacing LED lamps.

Wiring

- Wiring to tab terminal
 - Use 110 (2.8mm) series receptacles for tab terminals.
- Pay attention to the following points when soldering.
 - Type of solder: Use resin-core solder.
 - Use a soldering iron with a maximum power consumption of 60W (350(C)) within five seconds. Make sure that the terminal is free of tension during soldering. Also, do not deform the terminal.
- The melting point of lead-free solder is slightly high, which may make soldering difficult. Use a soldering iron that has a large soldering tip or high heat generation.
- Connectable wires
 - Two solid wires with a maximum diameter of 0.8 mm (solder)
 - One stranded wire with a maximum area of 0.75 mm² (solder)
 - Flat-type connection terminal (2.8□-1.25-5) 0.5 to 1.25mm²
 - (2.8□-0.5-5) 0.2 to 0.5mm²
- Use of contact blocks
 - When using NO and NC contacts in the same contact block, avoid connection that involves opposite polarity or wiring from different types of power supply.
- For wiring to adjacent terminals, use the terminal cover (AR6Y261) to prevent short-circuit, or an insulation tube to assure isolation. For solder terminals, caution is required if thick wires, in particular, are connected or a large quantity of solder is used.

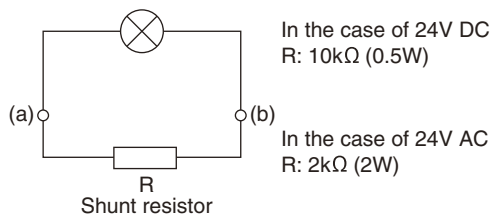
Terminal arrangement

Model	Circuit diagram (example)	Terminal arrangement (view from the terminal (back) side)
Illuminated pushbuttons (2PDT)		<p>[TOP] (▼) Display side</p> <p>Left-side contact Right-side contact</p>
Pushbuttons and selector switches (2PDT)		<p>[TOP] (▼) Display side</p> <p>Left-side contact Right-side contact</p>
Pilot lights		<p>[TOP] (▼) Display side</p>

Note: Only the left-side contact is applicable to the SPDT mechanism.

■ LED Lamps

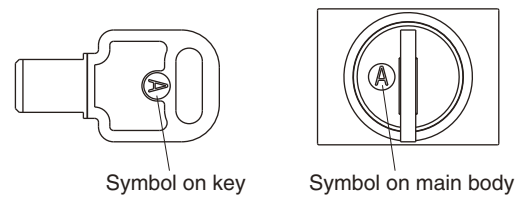
- LED lamp malfunctioning (incorrect lighting)
The LED lamp incorporates a circuit to prevent malfunctioning. Compared with conventional models, this LED lamp is less likely to malfunction, but it incorporates no absolute countermeasures.
A minute current (approximately 0.25 mA) turns on the LED lamp. A leakage current from the surge absorption circuit or noncontact circuit, or stray capacitance between cables, may also turn on the LED lamp.
In this case, a countermeasure (e.g., attaching a resistor in parallel with the LED lamp) is required.
- Countermeasure against malfunctioning
Malfunctioning can be prevented by connecting a shunt resistor (R) in parallel. The resistance in that case varies with the model and operating conditions.



- The permissible fluctuation range for the operating voltage of the 6V model is $\pm 5\%$ and that for the 12V or 24V model is $\pm 10\%$. If the operating voltage is always 5% or 10% higher, select a resistor that will make the operating current the same as or lower than the rated current, and connect the resistor in series to the LED lamp.
- Calculation of external resistance
Example: Connecting a 24V red LED to a 48V circuit
External resistance $[\Omega] = \frac{\text{Circuit voltage [V]} - \text{Rated voltage [V]}}{\text{Rated current [A]}}$
 $= \frac{48-24}{7.5 \times 10^{-3}} = 3200 [\Omega]$
→ Therefore, use an external resistor of 3.3kΩ 1W.
(Select a resistor with sufficient wattage.)
- Surges
High-brightness LED products use elements that are sensitive to static electricity. Keep in mind that an unusual voltage, such as a surge voltage, may cause the product to malfunction.

■ Selector Switches

- **Knob type**
The knob can be operated by turning it lightly. Be careful to operate the knob with a torque not exceeding 1N•m.
- **Key type**
Types of keys
Five types (B, C, D, E, and F) are available in addition to the standard type (type A).
Make sure that the symbol on the key coincides with the symbol on the switch.



- Fully insert the key into the switch and turn the key. Do not pull on the key while turning it.
- Operate the key with a torque not exceeding 0.1N•m.
- Do not forcibly insert or extract the key.
- Do not attempt to operate the switch with the key insufficiently inserted or insert the wrong key. Otherwise, a malfunction may result.

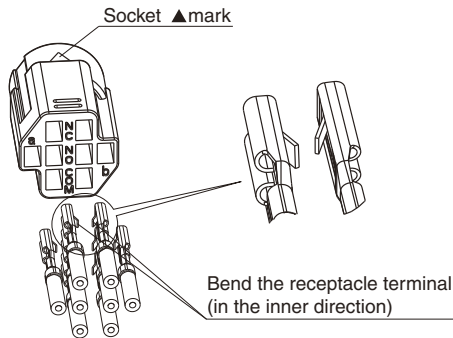
Command Switches

AR16, DR16 and AF16, DF16

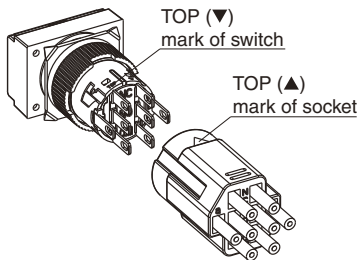
Notes on use

■ Connector sockets

- Connectable wires
Stranded wire: 0.3 to 0.75 mm² (AWG22 to AWG18)
- Arrange for a receptacle terminal separately.
Nichifu Co., Ltd.: CMC62895F
- Check the insertion position and insert the receptacle terminal into the socket after connecting the wires to the receptacle terminal. (The wires once connected cannot be disconnected.) Lightly pull the wires and check that the receptacle terminal is securely connected to the socket.

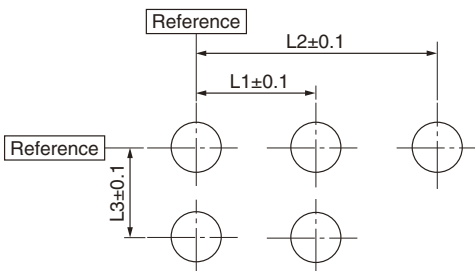


- Align the ▲ mark of the socket and the TOP (▼) mark of the switch, and put the socket and switch together.



■ Socket for PC board

- Minimum mounting space (pitch), mm

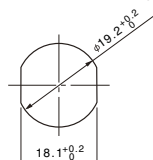
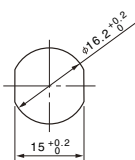


Obtain the mounting pitch based on a reference line to minimize the cumulative error.
Make sure that the centering difference between the switch and the PCB socket does not exceed 0.25 mm.

- Apply the following panel cutout dimensions (in mm) to stabilize the operator position of the switch when combined with the socket.

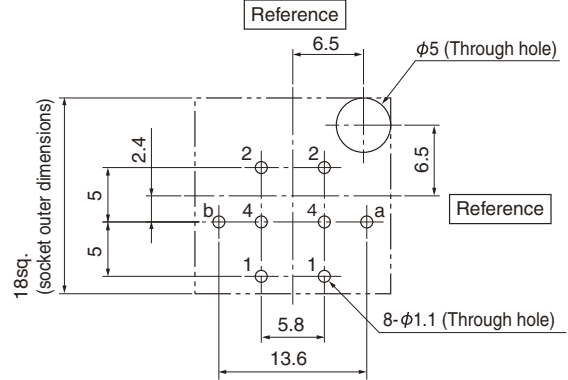
AR16/DR16 (common)

AF16/DF16 (round type)

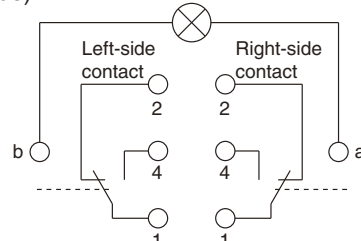


- Mount the switch to the panel. Make sure that the switch is free of any bends.

- PC board processing dimensions (in mm) as viewed from the socket mounting side.

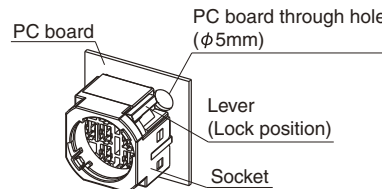


- The reference is the center of the socket (switch).
- Switch terminal arrangement (as viewed from the socket mounting side)

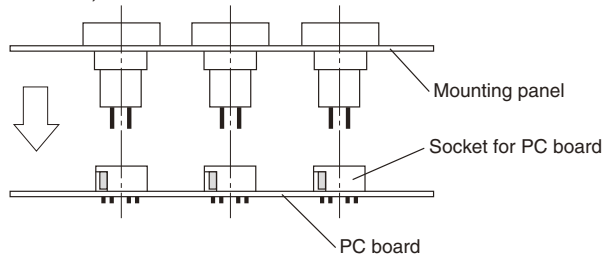


Note: The right-side contact is connected in the case of an SPDT contact.

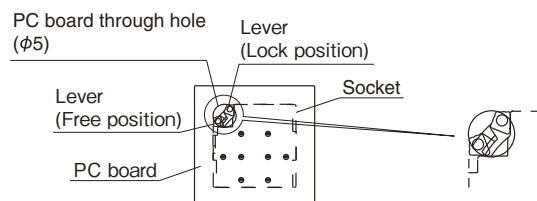
- Insert the socket so that the lever will be located in the 5mm-diameter through hole of the PC board. Set the lever to the lock position as viewed from the socket mounting side.



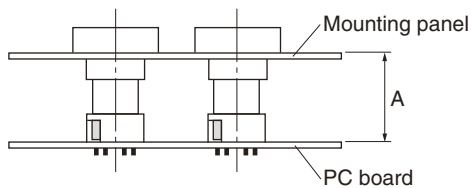
- Combine the switch-mounted panel with the socket on the PC board, and solder the socket terminal.



- Combine the PCB socket and the panel while making sure that the socket terminal does not fall off, and turn over the socket to do the soldering. Do not leave any space between the PC board and socket.
- After combining them, check that the lever as viewed from the soldering side is in the lock position, and solder the terminal.



- Pay attention to the following points when soldering.
 - Type of solder: Use resin-core solder.
 - Finish soldering at 350°C within 5 seconds.
 - Do not wash the socket.
 - Solder the socket so that no flux adheres to it.
- The melting point of lead-free solder is slightly higher than lead solder, which may make soldering difficult. Use a soldering iron with a large tip or that provides a high heat generation.
- Using a spacer between the panel and the PC board
 Make sure that the distance shown in the figure below is maintained between the panel and the PC board. The spacer dimensions vary with the thickness of the mounting panel.



Series	A (mm)
AR16/DR16	30.2±0.2
AF16/DF16	37.7±0.2

- Mounting and removing PC board sockets
 - Removing
 Push down the socket levers all the way viewed from the soldering side in the direction of the free position and remove the PC board sockets. After removal, the socket levers will return to the lock position automatically.
 - Mounting
 Check that the socket lever as viewed from the soldering side is in the lock position, lightly insert the terminal and socket so their position is aligned with the switch on the panel, press the socket-mounting portion of the PC board, and securely insert the entire socket until the socket lever snaps. (Check that the lever as viewed from the soldering side is in the lock position.)
- Use the switch within the following rated voltage range when the PCB socket is used.
 - Rated insulation voltage: 60V
 - Rated operational voltage: 24V
- Use a 1.6-mm-thick double-sided through-hole printed circuit board made of copper-plated laminated epoxy resin on a woven glass fabric base.
- In case of standard type (AR16 and DR16 series), beware that the adopted models are not allowed to attach the protective cover to some models and that the adopted models cannot be mounted to some models afterward.




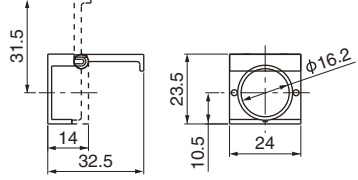
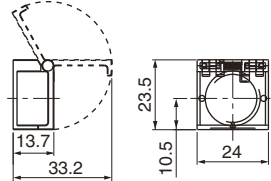
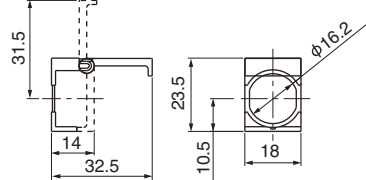


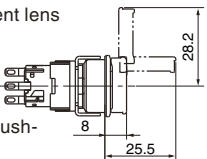
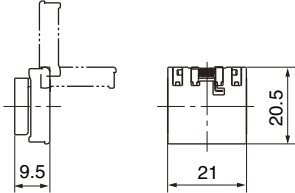
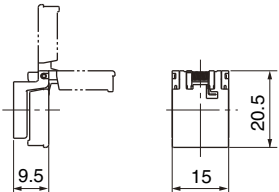
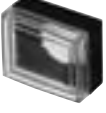
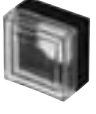
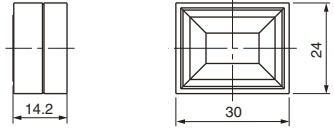
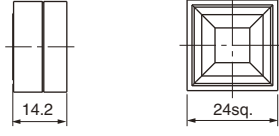

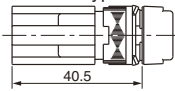
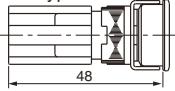
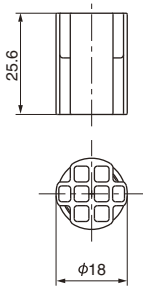
■ **Others**

- Operation
 - Do not hit or flip the button, or the button may be damaged.
 - Be sure to operate the button by hand.
 - Do not pull the button if the switch is an alternate action type.
- High-density mounting of illuminated type
 - When continuously lighting pilot lights or pressing illuminated pushbuttons, keep in mind that the ambient temperature may exceed the rated value due to the heat radiated by the lamp.
 - Be sure to ventilate the lamp /switch if the mounting panel is not made of metal or if the mounting panel is an enclosed type.
- Usage locations
 - Be sure to use and store the product within the rated ambient temperature and humidity ranges.
 - Although the product resists ordinary cutting oils and coolant oils, do not use the unit in places where special oils may be sprayed onto the product.
 - If dusts or filings accumulate in the gap between the button and the frame, the switch may fail to operate normally. Take appropriate measures, such as using a dust-proof protective cover, if the switch is to be used in places that are subject to dusts or filings.
 - The AR16/DR16 series and AF16/DF16 series are for indoor use. Make sure that the product is not exposed to direct sunlight.
 - Do not use the product in the places that are subject to the adverse effects of ozone or corrosive gases.


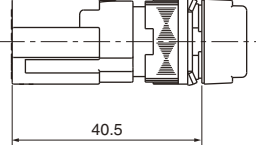
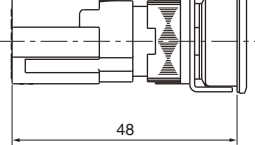
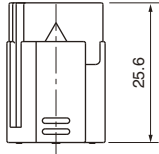
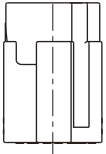
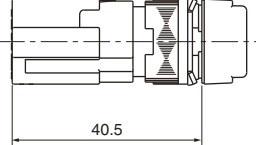
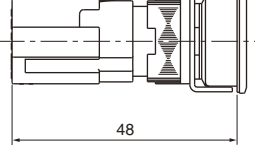
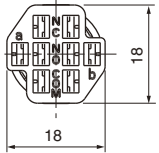

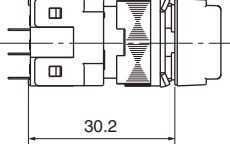
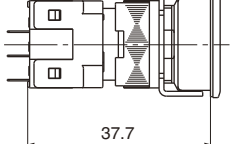
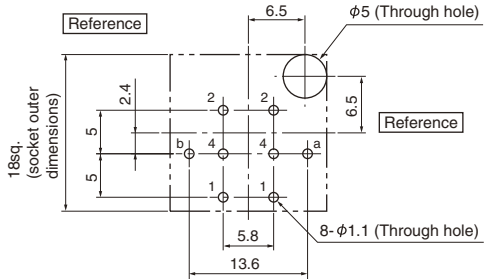
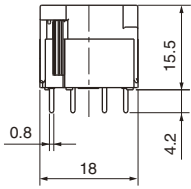
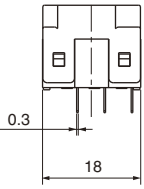
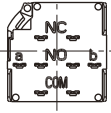
Command Switches

AR16, DR16 and AF16, DF16

Accessories

Description	Type	Used with	Dimensions, mm																										
Protective cover (for Standard type)  KKD07-246  KKD07-247  KKD07-248	<table border="1"> <tr> <th>Type</th> <th>Used with</th> </tr> <tr> <td>AHX669</td> <td>AR16F0N, F5N, F0T, F5T</td> </tr> <tr> <td>AHX826*</td> <td></td> </tr> <tr> <td>AHX671</td> <td>AR16F0M, F5M, F0S, F5S AR16E0L, E5L, E0R, E5R</td> </tr> </table>	Type	Used with	AHX669	AR16F0N, F5N, F0T, F5T	AHX826 *		AHX671	AR16F0M, F5M, F0S, F5S AR16E0L, E5L, E0R, E5R	<p>* This cover returns to the home position with spring action to prevent accidental operation (Packing is provided). Note: The cover cannot be used with the flush rectangular with guard type models.</p>	<p>AHX669</p>  <p>AHX826</p>  <p>AHX671</p> 																		
	Type	Used with																											
	AHX669	AR16F0N, F5N, F0T, F5T																											
AHX826 *																													
AHX671	AR16F0M, F5M, F0S, F5S AR16E0L, E5L, E0R, E5R																												
Protective cover (for Thin type)  KKD07-249  KKD07-250	<table border="1"> <tr> <th>Type</th> <th>Used with</th> </tr> <tr> <td>AF6D826-□</td> <td>AF16F0N, F0T</td> </tr> <tr> <td>AF6D827-□</td> <td>AF16F0M, F0S</td> </tr> </table> <p>This cover prevents accidental operation. Note: • The protective cover and the button are made of an integral structure. • Enter the color code in the square box.</p> <table border="1"> <tr> <th>Color</th> <th>Green</th> <th>Red</th> <th>Transparent*</th> <th>Yellow</th> <th>Orange</th> <th>Blue</th> </tr> <tr> <th>Code</th> <td>G</td> <td>R</td> <td>C</td> <td>Y</td> <td>A</td> <td>S</td> </tr> <tr> <th>Color code of main unit</th> <td>G</td> <td>R</td> <td>W, B</td> <td>Y</td> <td>A</td> <td>S</td> </tr> </table> <p>* When the color code of the main unit is W, a combination of the transparent lens and the white legend plate comes to white. When it is B, a combination of the transparent lens and the black legend plate comes to black.</p> <ul style="list-style-type: none"> • This cover returns to the home position with spring action. • Not applicable to alternate models. • Dimensions when connected with a push-button switch (unit: mm) 	Type	Used with	AF6D826 -□	AF16F0N, F0T	AF6D827 -□	AF16F0M, F0S	Color	Green	Red	Transparent*	Yellow	Orange	Blue	Code	G	R	C	Y	A	S	Color code of main unit	G	R	W, B	Y	A	S	<p>AF6D826</p>  <p>AF6D827</p> 
	Type	Used with																											
AF6D826 -□	AF16F0N, F0T																												
AF6D827 -□	AF16F0M, F0S																												
Color	Green	Red	Transparent*	Yellow	Orange	Blue																							
Code	G	R	C	Y	A	S																							
Color code of main unit	G	R	W, B	Y	A	S																							
Dust-proof cover (for Standard type)  KKD07-251  KKD07-252	<table border="1"> <tr> <th>Type</th> <th>Used with</th> </tr> <tr> <td>AHX668</td> <td>AR16F0N, F5N, F0T, F5T</td> </tr> <tr> <td>AHX822</td> <td>AR16F0M, F5M, F0S, F5S AR16E0L, E5L, E0R, E5R</td> </tr> </table> <p>This cover seals the operator section to prevent powder or dust from invading inside the switch (Packing is provided).</p>	Type	Used with	AHX668	AR16F0N, F5N, F0T, F5T	AHX822	AR16F0M, F5M, F0S, F5S AR16E0L, E5L, E0R, E5R	<p>AHX668</p>  <p>AHX822</p> 																					
	Type	Used with																											
AHX668	AR16F0N, F5N, F0T, F5T																												
AHX822	AR16F0M, F5M, F0S, F5S AR16E0L, E5L, E0R, E5R																												
Terminal cover  KKD07-253	<table border="1"> <tr> <th>Type</th> <th>Used with</th> </tr> <tr> <td>AR6Y261</td> <td>Illuminated pushbutton switch, pushbutton switch, selector switch, pilot light</td> </tr> </table> <p>Protective cover for insulation between terminals and live parts. Note: • Dimensions when connected with a switch (pilot light) (unit: mm)</p> <p>Standard type</p>  <p>Thin type</p>  <ul style="list-style-type: none"> • Wiring work should be made first, and attach the cover to the switch (pilot light). • Use cables of sheath outer diameter of $\phi 2.8$mm or less. 	Type	Used with	AR6Y261	Illuminated pushbutton switch, pushbutton switch, selector switch, pilot light	<p>AR6Y261</p> 																							
Type	Used with																												
AR6Y261	Illuminated pushbutton switch, pushbutton switch, selector switch, pilot light																												


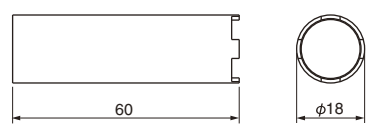

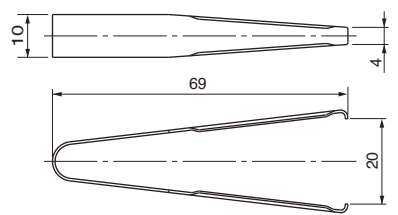

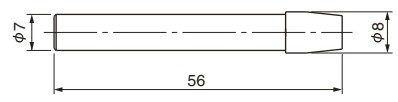

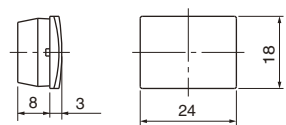
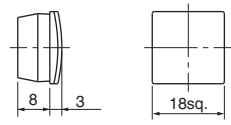
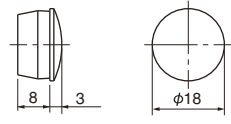
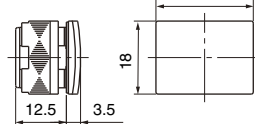

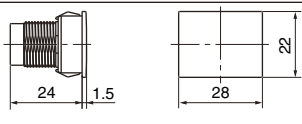
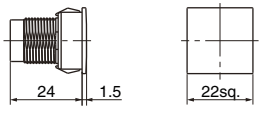
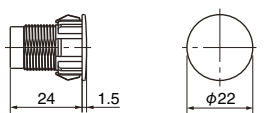
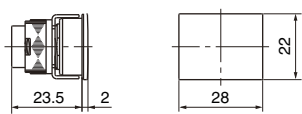
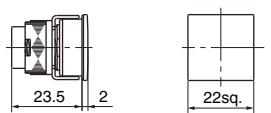
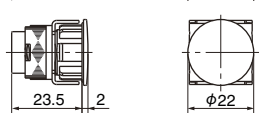
Command Switches AR16, DR16 and AF16, DF16 Accessories

Description	Type	Dimensions, mm				
 <p style="text-align: right; font-size: small;">KKD07-255</p>	<table border="1" style="width: 100%; border-collapse: collapse;"> <tr> <th style="width: 30%;">Type</th> <th style="width: 70%;">Used with</th> </tr> <tr> <td>AR6S691-C</td> <td>Illuminated pushbutton switch, pushbutton switch, selector switch, pilot light</td> </tr> </table> <p>By combining with receptacle terminals, this can be used as a connector.</p> <p>Note: • The receptacle terminal is not supplied. Please prepare the receptacle terminal Model No. CMC62895-F made by NICHIFU Co.,Ltd. on your side.</p> <ul style="list-style-type: none"> • Dimensions when connected with a switch (pilot light) (unit: mm) <p>Standard type Thin type</p> <div style="display: flex; justify-content: space-around;">   </div>	Type	Used with	AR6S691-C	Illuminated pushbutton switch, pushbutton switch, selector switch, pilot light	<div style="display: flex; justify-content: space-around;">   </div> <div style="display: flex; justify-content: space-around; margin-top: 20px;">    </div>
Type	Used with					
AR6S691-C	Illuminated pushbutton switch, pushbutton switch, selector switch, pilot light					
 <p style="text-align: right; font-size: small;">KKD07-306</p>	<table border="1" style="width: 100%; border-collapse: collapse;"> <tr> <th style="width: 30%;">Type</th> <th style="width: 70%;">Used with</th> </tr> <tr> <td>AR6S692</td> <td>Illuminated pushbutton switch, pushbutton switch, selector switch, pilot light</td> </tr> </table> <p>By combining with a switch, they can be used as a switch for PC board, connection type switch.</p> <p>Note: • Dimensions when connected with a switch (pilot light) (unit: mm)</p> <p>Standard type Thin type</p> <div style="display: flex; justify-content: space-around;">   </div> <ul style="list-style-type: none"> • PC board processing drawing (View from component side) (unit: mm) <div style="text-align: center;">  </div>	Type	Used with	AR6S692	Illuminated pushbutton switch, pushbutton switch, selector switch, pilot light	<div style="display: flex; justify-content: space-around;">   </div> <div style="text-align: center; margin-top: 20px;">  </div>
Type	Used with					
AR6S692	Illuminated pushbutton switch, pushbutton switch, selector switch, pilot light					


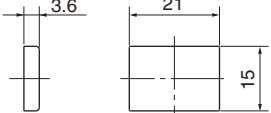
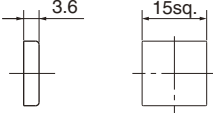
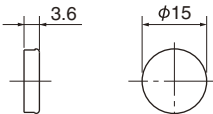
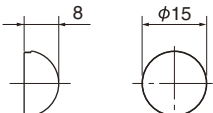

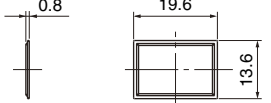
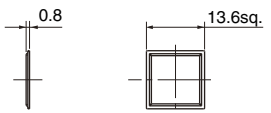
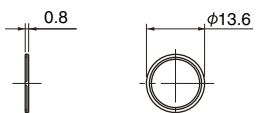

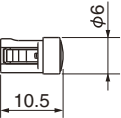

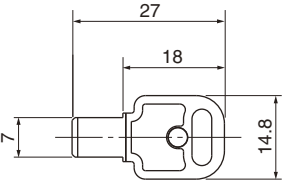
Command Switches

AR16, DR16 and AF16, DF16

Accessories

Description	Type	Used with	Dimensions, mm
 Wrench KKD07-257	Type AHX601	Used with AR16 and DR16 series AF16 and DF16 series	
 Remover (for Standard type) KKD07-258	Type AHX618	Used with Illuminated pushbutton switch, pushbutton switch, pilot light	
 Lamp remover Part A → KKD07-259	Type AHX672	Used with Illuminated pushbutton switch, pilot light	
 Panel plug (for Standard type) KKD07-260 KKD07-261 KKD07-262 KKD07-267	Type AXH645-□ AXH644-□ AXH622-□ AXH850-B ^{**1}	Used with Rectangular type Degree of protection: IP40 Square type Degree of protection: IP40 Round type Degree of protection: IP40 Rectangular type Degree of protection: IP65	AHX645  AHX644  AHX622  AHX850-B 
 Panel plug (for Thin type) KKD07-264 KKD07-266 KKD07-265 KKD07-263 KKD07-268 KKD07-269	Type AF6Y645-B AF6Y644-B AF6Y622-B AF6Y850-B ^{**1} AF6Y851-B ^{**1} AF6Y852-B ^{**1}	Used with Rectangular type Degree of protection: IP40 Square type Degree of protection: IP40 Round type Degree of protection: IP40 Rectangular type Degree of protection: IP65 Square type Degree of protection: IP65 Round type Degree of protection: IP65	AF6Y645-B  AF6Y644-B  AF6Y622-B  AF6Y850-B  AF6Y851-B  AF6Y852-B 
		^{**1} Packing and nut are provided. The color is black only. Note: • Enter the color code in the square box □.	
		^{**1} Packing, panel retainer, and nut are provided. Note: • The color is black only.	

Command Switches AR16, DR16 and AF16, DF16 Accessories

Description	Type	Dimensions, mm																				
	<table border="1" style="width: 100%; border-collapse: collapse;"> <tr> <th style="width: 15%;">Type</th> <th>Used with</th> </tr> <tr> <td>AR6C633-□</td> <td>AR16F0N, F5N, F0T, F5T, G0N, G5N, G0T, G5T DR16F0N AF16F0N, F5N, F0T, F5T, Type DF16F0N</td> </tr> <tr> <td>AR6C632-□</td> <td>AR16F0M, F5M, F0S, F5S, Type DR16F0M AF16F0M, F5M, F0S, F5S, Type DF16F0M</td> </tr> <tr> <td>AR6C631-□</td> <td>AR16E0L, E5L, E0R, E5R, Type DR16E0L AF16F0L, F5L, F0R, F5R, Type DF16F0L</td> </tr> <tr> <td>DR6C630-□</td> <td>DR16D0L</td> </tr> </table>	Type	Used with	AR6C633 -□	AR16F0N, F5N, F0T, F5T, G0N, G5N, G0T, G5T DR16F0N AF16F0N, F5N, F0T, F5T, Type DF16F0N	AR6C632 -□	AR16F0M, F5M, F0S, F5S, Type DR16F0M AF16F0M, F5M, F0S, F5S, Type DF16F0M	AR6C631 -□	AR16E0L, E5L, E0R, E5R, Type DR16E0L AF16F0L, F5L, F0R, F5R, Type DF16F0L	DR6C630 -□	DR16D0L	<div style="display: flex; justify-content: space-around;"> <div style="text-align: center;">  <p>AR6C633</p> </div> <div style="text-align: center;">  <p>AR6C632</p> </div> <div style="text-align: center;">  <p>AR6C631</p> </div> <div style="text-align: center;">  <p>DR6C630</p> </div> </div>										
	Type	Used with																				
	AR6C633 -□	AR16F0N, F5N, F0T, F5T, G0N, G5N, G0T, G5T DR16F0N AF16F0N, F5N, F0T, F5T, Type DF16F0N																				
	AR6C632 -□	AR16F0M, F5M, F0S, F5S, Type DR16F0M AF16F0M, F5M, F0S, F5S, Type DF16F0M																				
	AR6C631 -□	AR16E0L, E5L, E0R, E5R, Type DR16E0L AF16F0L, F5L, F0R, F5R, Type DF16F0L																				
DR6C630 -□	DR16D0L																					
<p>Note: Enter the color code in the square box □.</p> <table border="1" style="width: 100%; border-collapse: collapse; text-align: center;"> <tr> <th>Color</th> <th>Green</th> <th>Red</th> <th>Transparent</th> <th>Yellow</th> <th>Orange</th> <th>Blue</th> </tr> <tr> <th>Code</th> <td>G</td> <td>R</td> <td>C</td> <td>Y</td> <td>A</td> <td>S</td> </tr> <tr> <th>Color code of main unit</th> <td>G</td> <td>R</td> <td>W, B</td> <td>Y</td> <td>A</td> <td>S</td> </tr> </table> <p>* When the color code of the main unit is W, a combination of the transparent lens and the white legend plate comes to white (except for dome type). When it is B, a combination of the transparent lens and the black legend plate comes to black (except for pilot light). When the dome type (DR16D0L)'s color code of the main unit is W, the lens code is W.</p>		Color	Green	Red	Transparent	Yellow	Orange	Blue	Code	G	R	C	Y	A	S	Color code of main unit	G	R	W, B	Y	A	S
Color	Green	Red	Transparent	Yellow	Orange	Blue																
Code	G	R	C	Y	A	S																
Color code of main unit	G	R	W, B	Y	A	S																
KKD07-270																						
	<table border="1" style="width: 100%; border-collapse: collapse;"> <tr> <th style="width: 15%;">Type</th> <th>Used with</th> </tr> <tr> <td>AR6P667-□</td> <td>AR16F0N, F5N, F0T, F5T, G0N, G5N, G0T, G5T DR16F0N AF16F0N, F5N, F0T, F5T, Type DF16F0N</td> </tr> <tr> <td>AR6P666-□</td> <td>AR16F0M, F5M, F0S, F5S, Type DR16F0M AF16F0M, F5M, F0S, F5S, Type DF16F0M</td> </tr> <tr> <td>AR6P665-□</td> <td>AR16E0L, E5L, E0R, E5R, Type DR16E0L AF16F0L, F5L, F0R, F5R, Type DF16F0L</td> </tr> </table>	Type	Used with	AR6P667 -□	AR16F0N, F5N, F0T, F5T, G0N, G5N, G0T, G5T DR16F0N AF16F0N, F5N, F0T, F5T, Type DF16F0N	AR6P666 -□	AR16F0M, F5M, F0S, F5S, Type DR16F0M AF16F0M, F5M, F0S, F5S, Type DF16F0M	AR6P665 -□	AR16E0L, E5L, E0R, E5R, Type DR16E0L AF16F0L, F5L, F0R, F5R, Type DF16F0L	<div style="display: flex; justify-content: space-around;"> <div style="text-align: center;">  <p>AR6P667</p> </div> <div style="text-align: center;">  <p>AR6P666</p> </div> <div style="text-align: center;">  <p>AR6P665</p> </div> </div>												
	Type	Used with																				
	AR6P667 -□	AR16F0N, F5N, F0T, F5T, G0N, G5N, G0T, G5T DR16F0N AF16F0N, F5N, F0T, F5T, Type DF16F0N																				
	AR6P666 -□	AR16F0M, F5M, F0S, F5S, Type DR16F0M AF16F0M, F5M, F0S, F5S, Type DF16F0M																				
	AR6P665 -□	AR16E0L, E5L, E0R, E5R, Type DR16E0L AF16F0L, F5L, F0R, F5R, Type DF16F0L																				
<p>Note: Enter the color code in the square box □.</p> <table border="1" style="width: 100%; border-collapse: collapse; text-align: center;"> <tr> <th style="width: 15%;">Type</th> <th>White</th> <th>Black</th> </tr> <tr> <th>Code</th> <td>W</td> <td>B</td> </tr> <tr> <th>Color code of main unit</th> <td>G, R, W, Y, A, S</td> <td>B</td> </tr> </table> <p>• When the color code of the main unit is W, a combination of the transparent lens and the white legend plate comes to white. When it is B, a combination of the transparent lens and the black legend plate comes to black (except for pilot light).</p>		Type	White	Black	Code	W	B	Color code of main unit	G, R, W, Y, A, S	B												
Type	White	Black																				
Code	W	B																				
Color code of main unit	G, R, W, Y, A, S	B																				
KKD07-272																						
	<table border="1" style="width: 100%; border-collapse: collapse;"> <tr> <th style="width: 15%;">Type</th> <th>Lamp operational voltage, current consumption</th> </tr> <tr> <td>DR6L695-A□</td> <td>6V AC/DC, Green, Red, Amber, blue: 7.5mA AC, 7.5mA DC Orange: AC8.5mA, DC8.5mA, Yellow: 17mA AC, 17mA DC</td> </tr> <tr> <td>DR6L695-B□</td> <td>12V AC/DC, Green, Red, Amber, blue: 7.5mA AC, 7.5mA DC Orange, Yellow: 8.5mA AC, 8.5mA DC</td> </tr> <tr> <td>DR6L695-E□</td> <td>24V AC/DC, Green, Red, Amber, blue: 7.5mA AC, 7.5mA DC Orange, Yellow: 8.5mA AC, 8.5mA DC</td> </tr> </table>	Type	Lamp operational voltage, current consumption	DR6L695-A □	6V AC/DC, Green, Red, Amber, blue: 7.5mA AC, 7.5mA DC Orange: AC8.5mA, DC8.5mA, Yellow: 17mA AC, 17mA DC	DR6L695-B □	12V AC/DC, Green, Red, Amber, blue: 7.5mA AC, 7.5mA DC Orange, Yellow: 8.5mA AC, 8.5mA DC	DR6L695-E □	24V AC/DC, Green, Red, Amber, blue: 7.5mA AC, 7.5mA DC Orange, Yellow: 8.5mA AC, 8.5mA DC	<div style="text-align: center;">  </div>												
	Type	Lamp operational voltage, current consumption																				
	DR6L695-A □	6V AC/DC, Green, Red, Amber, blue: 7.5mA AC, 7.5mA DC Orange: AC8.5mA, DC8.5mA, Yellow: 17mA AC, 17mA DC																				
	DR6L695-B □	12V AC/DC, Green, Red, Amber, blue: 7.5mA AC, 7.5mA DC Orange, Yellow: 8.5mA AC, 8.5mA DC																				
	DR6L695-E □	24V AC/DC, Green, Red, Amber, blue: 7.5mA AC, 7.5mA DC Orange, Yellow: 8.5mA AC, 8.5mA DC																				
<p>Note: Enter the color code in the square box □.</p> <table border="1" style="width: 100%; border-collapse: collapse; text-align: center;"> <tr> <th>Color</th> <th>Green</th> <th>Red</th> <th>Orange</th> <th>Yellow</th> <th>Amber</th> <th>Blue</th> </tr> <tr> <th>Code</th> <td>G</td> <td>R</td> <td>W</td> <td>Y</td> <td>A</td> <td>S</td> </tr> <tr> <th>Color code of main unit</th> <td>G</td> <td>R</td> <td>W</td> <td>Y</td> <td>A</td> <td>S</td> </tr> </table>		Color	Green	Red	Orange	Yellow	Amber	Blue	Code	G	R	W	Y	A	S	Color code of main unit	G	R	W	Y	A	S
Color	Green	Red	Orange	Yellow	Amber	Blue																
Code	G	R	W	Y	A	S																
Color code of main unit	G	R	W	Y	A	S																
KKD07-273																						
	<table border="1" style="width: 100%; border-collapse: collapse;"> <tr> <th style="width: 15%;">Type</th> <th>Used with</th> </tr> <tr> <td>AR6C662-□</td> <td>AR16JT, JS, JR AF16JT, JS, JR</td> </tr> </table>	Type	Used with	AR6C662 -□	AR16JT, JS, JR AF16JT, JS, JR	<div style="text-align: center;">  </div> <p style="text-align: right;">t: 2mm</p>																
	Type	Used with																				
	AR6C662 -□	AR16JT, JS, JR AF16JT, JS, JR																				
	<p>Note: • Enter the color code in the square box □.</p> <table border="1" style="width: 100%; border-collapse: collapse; text-align: center;"> <tr> <th>Code (Key type)</th> <th>A</th> <th>B</th> <th>C</th> <th>D</th> <th>E</th> <th>F</th> </tr> </table> <p>• Two pieces per set on delivery. • Both sides of the key is same.</p>		Code (Key type)	A	B		C	D	E	F												
	Code (Key type)	A	B	C	D		E	F														
KKD07-274																						

Command Switches

AR16, DR16 and AF16, DF16

Mass

• Standard type <AR16, DR16 series>

1. Illuminated push button switches (g)

Type	Without transformer	
	SPDT	2PDT
AR16F0N	9.3	9.9
AR16F5N	9.3	9.9
AR16G0N	9.4	10
AR16G5N	9.4	10
AR16F0M	8.7	9.3
AR16F5M	8.7	9.3
AR16E0L	8.1	8.7
AR16E5L	8.1	8.7

2. Pushbutton switches (g)

Type	SPDT	2PDT
AR16F0T	8.5	9.1
AR16F5T	8.5	9.1
AR16G0T	8.7	9.3
AR16G5T	8.7	9.3
AR16F0S	8	8.6
AR16F5S	8	8.6
AR16E0R	7.4	8
AR16E5R	7.4	8

3. Pilot lights (g)

Type	Without transformer
DR16F0N	8.7
DR16F0M	8.1
DR16E0L	7.5
DR16D0L	7.5

4. Selector switches (knob type) (g)

Type	SPDT	2PDT
AR16PT	9.6	10.2
AR16PS	8.6	9.2
AR16PR	8.3	8.9

5. Selector switches (key type) (g)

Type	SPDT	2PDT
AR16JT	23.2	23.8
AR16JS	22.3	22.9
AR16JR	21.9	22.5

Note: The value when two keys are attached.

• Thin type <AF16, DF16 series>

1. Illuminated push button switches (g)

Type	Without transformer	
	SPDT	2PDT
AF16F0N	13.5	14.1
AF16F5N	13.5	14.1
AF16F0M	12.8	13.4
AF16F5M	12.8	13.4
AF16F0L	12	12.6
AF16F5L	12	12.6

2. Pushbutton switches (g)

Type	SPDT	2PDT
AF16F0T	12.7	13.3
AF16F5T	12.7	13.3
AF16F0S	12	12.6
AF16F5S	12	12.6
AF16F0R	11.3	11.9
AF16F5R	11.3	11.9

3. Pilot lights (g)

Type	Without transformer
DF16F0N	12.8
DF16F0M	12.1
DF16F0L	11.4

4. Selector switches (knob type) (g)

Type	SPDT	2PDT
AF16PT	14.2	14.8
AF16PS	13.7	14.3
AF16PR	13.1	13.7

5. Selector switches (key type) (g)

Type	SPDT	2PDT
AF16JT	27.8	28.4
AF16JS	27.3	27.9
AF16JR	26.8	27.4

Note: The value when two keys are attached.

Safety Considerations

- For safe operation, read the instruction manual or user manual that comes with the product carefully or consult the Fuji sales representative from whom you purchased the product, before using the products.
- Products introduced in this catalog have not been designed or manufactured for such applications in a system or equipment that will affect human bodies or lives.
- Customers, who want to use the products introduced in this catalog for special systems or devices such as for atomic-energy control, aerospace use, medical use, passenger vehicle, and traffic control, are requested to consult the Fuji sales division.
- Customers are requested to prepare safety measures when they apply the products introduced in this catalog to such systems or facilities that will affect human lives or cause severe damage to property if the products become faulty.
- For safe operation, wiring should be conducted only by qualified engineers who have sufficient technical knowledge about electrical work or wiring.

Fuji Electric FA Components & Systems Co., Ltd.

5-7, Nihonbashi Odemma-cho, Chuo-ku, Tokyo 103-0011, Japan

URL <http://www.fujielectric.co.jp/fcs/eng>



Printed on 100% recycled paper using soy-based ink