

ASG/APG Series D86mm Bulb Revolving Warning Signal Light



Compact Revolving Warning Light perfectly designed for small devices.



- Incandescent or Xenon type
- Red, Yellow, Green and Blue lens available
- Smooth lens or Prism lens
- Stud mounted or Pole mounted
- Optional Wall Mounting Brackets available
- Wide range of power supply

Ordering Information

ASG B - 20 - R

① ② ③ ④

1. Lens Style

ASG	Ø86mm Dome top lens Signal Light (Stud mount)
APG	Ø86mm Flat top lens Signal Light (Stud mount)

2. Light Style

	Rotating Light (Smooth Lens)
F	Flashing Light (Prism Lens) - *Note
B	Rotating Light + Buzzer
S	Strobe Light + Xenon Lamp (110VAC or 220VAC only)

3. Power Supply

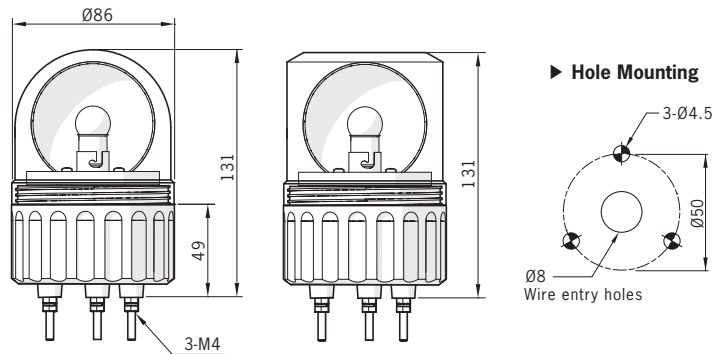
01	12VAC/DC
02	24VAC/DC
10	110VAC
20	220VAC
FF	110/220VAC * Except for Flashing type - F function

4. Lens Colors

R	Red
Y	Yellow
G	Green
B	Blue

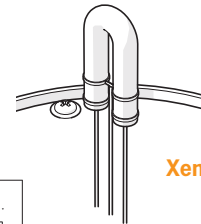
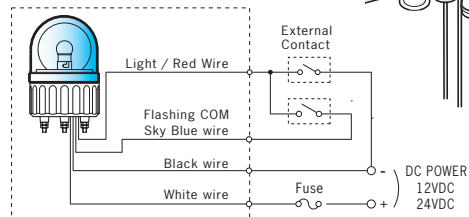
Note - Flashing type DC power is only

Dimensions (unit: mm)



Wiring Diagram

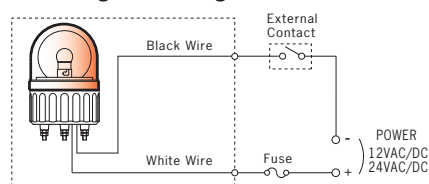
▶ Flashing Lights



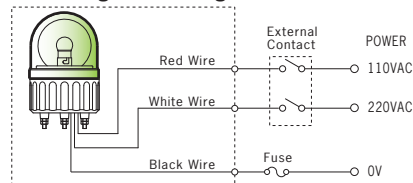
Xenon Strobe

AC POWER
110VAC
220VAC

▶ Rotating & Strobe Lights



▶ Rotating & Strobe Lights



Wall Mount Brackets



Specifications

Bulb Lights

Operation/Function	Rotating, Flashing, Buzzer
Power Supply	12VAC/DC, 24VAC/DC 110VAC, 220VAC, 110/220VAC (50/60Hz)
Lens Diameter	86 mm
Lens Color	Red, Yellow, Green, Blue (Lens Type :Smooth)
Rotation Rate	app.130rpm ±10%
Flash Rate	80times/minute ±10%
Buzzer Sound Level	80±5dB (at 1M)
Ambient Temperature	-15 to 40°C
Storage Temperature	-25 to 70°C
Ambient Humidity	45 ~ 85% RH
Degree of Protection	IP42
Approvals	CE, RoHS
Recommended Wire Size	AC 110/220V: VSF / 0.75mm ² (Power supply wire only) AC/DC 12/24V: 1007 UL / 22AWG

Current Draw

Power Supply	12V	24V	110V	220V	110/220V
Current Draw	0.67A, 8W	0.33A, 8W	0.07A, 8W	0.03A, 8W	0.4A, 8W

Xenon Strobe Lights

Power Supply	110VAC, 220VAC (50/60Hz)
Current	110VAC : 0.22A, 220VAC : 0.11A
Lens Color	Red, Yellow, Green, Blue (Lens Type : Prism)
Strobe Pulse	80times/minute ±10%
Degree of Protection	IP42
Approvals	CE, RoHS
Recommended Wire Size	VSF / 0.75mm ² (Power supply wire only)
Lamp Wattage	6W Lamp

Replacement Parts

Rated Voltage	Bulb	Rated Voltage	Bulb (Flashing type)	Bulb (Rotating type)
12V DC	12V 8W	110V AC	130V 8W	12V 5W
24V DC	24V 8W	220V AC	240V 8W	12V 5W
		110/220V AC		12V 5W

▶ See page 55 for Replacement Bulbs product

See Page 56 ~ 58 for Mounting Options and Accessories.

