

Go Series

# GoPact™ MCCB



Catalog 2022

Molded-Case Circuit Breaker from 16 to 800 A

[se.com](http://se.com)

Life Is On

**Schneider**  
Electric

# Fundamentals of protection...

GoPact MCCB is a specially designed molded case circuit breaker range dedicated to small and medium-size buildings, factories, OEMs, and other demanding applications. It is an economical solution that provides the best value for money in its class.



As a Schneider Electric offer, the complete range provides:

**Robustness | Simplicity | Compact | Standalone devices**



# Customer values



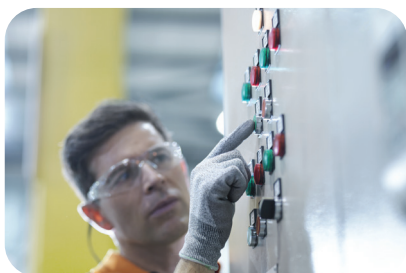
## Panel Builders

- Five MCCBs for dedicated dimensions at each rating, from 16 to 800 A
- Complete portfolio of accessories: Electrical auxiliaries, Insulation auxiliaries, Connection accessories, Control accessories, Internal accessories
- Built-in trip unit



## Contractors

- Sufficient pole pitch helps to terminate copper busbars or cables
- Simple product selection thanks to the support of digital tools
- Four-pole circuit breakers provide four-pole protection per default



## OEM

- Ensures continuous performance of machines with good level of endurance
- Meets IEC 60947-2 standard and common technical requirements
- Optimizes space with rating adjusted footprints



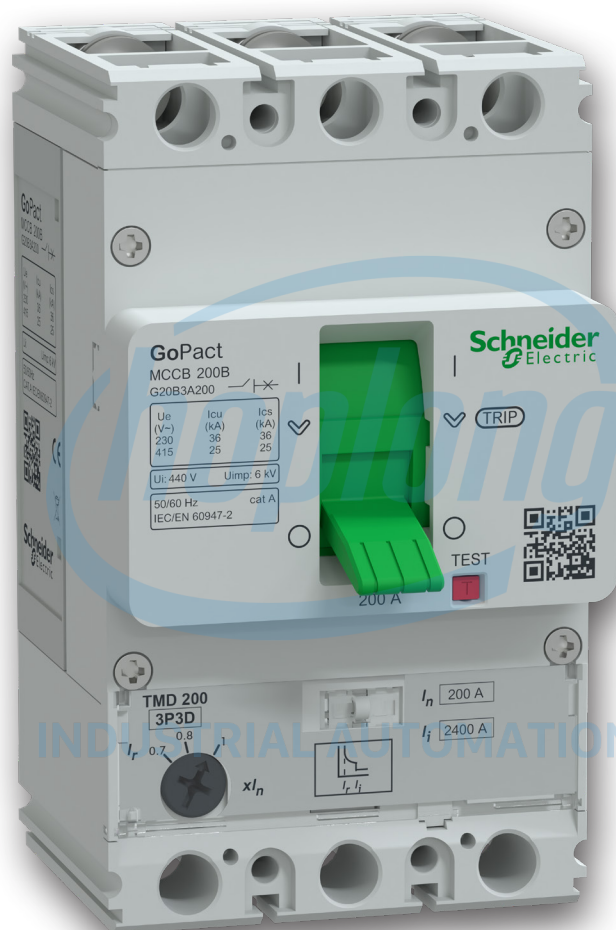
## End User

- Schneider Electric performance, quality, and warranty
- Simplified catalog of circuit breaker and accessories
- Worldwide availability and optimized lead time

Go for simple offers with robust quality at an affordable price!



GoPact MCCB is a simplified offer range with no compromise on quality. Our products maintain performance in harsh environments.



## Timely delivery, wherever you are

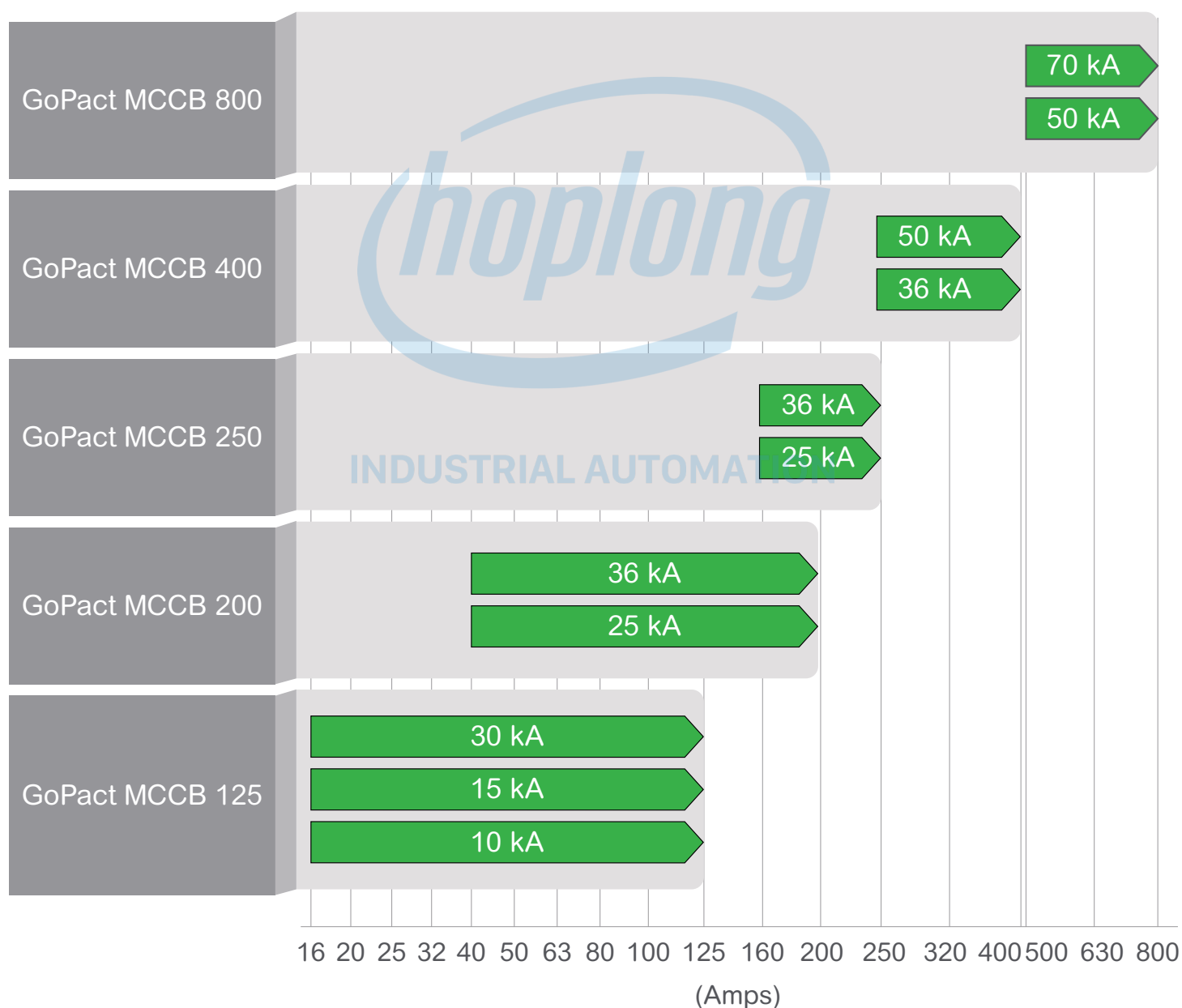
Schneider Electric offers a world-renowned logistics network capable of delivering GoPact MCCB products to you fast, wherever you are.

# GoPact MCCB offers

## Enhanced features

- Current ratings up to 800 A
- Thermal adjustability across all GoPact MCCBs
- Electronic trip unit from 500 to 800 A
- All phases and neutral are protected per default
- Plug-in base available from GoPact MCCB 200

Breaking capacity are at 415 V AC



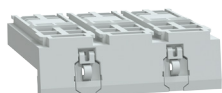
# Comprehensive portfolio of accessories



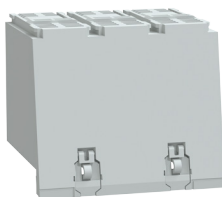
Direct rotary handle



Extended rotary handle



Short terminal shield



Long terminal shield



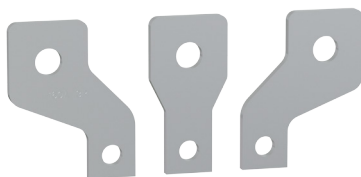
Interphase barrier



Electrical auxiliary contact



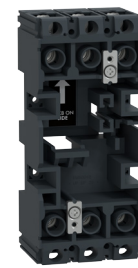
Voltage release (MN/MX)



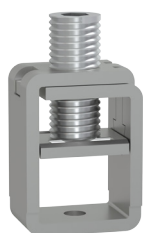
Terminal extension spreaders



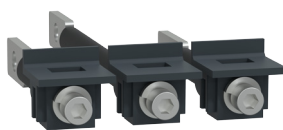
Conversion kit for plug-in base



Plug-in base



Steel bare cable connector

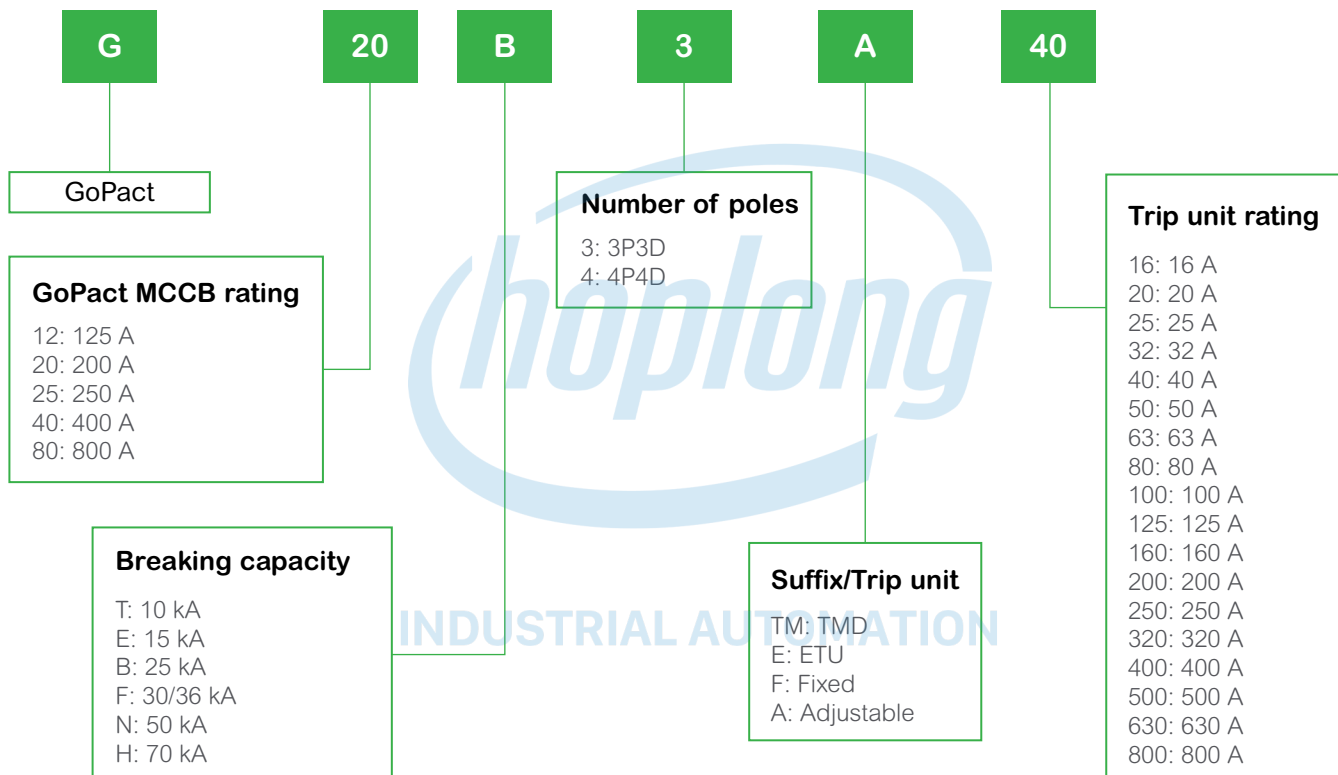


Rear connectors

Large selection of accessories for an easy adaptation to different applications.

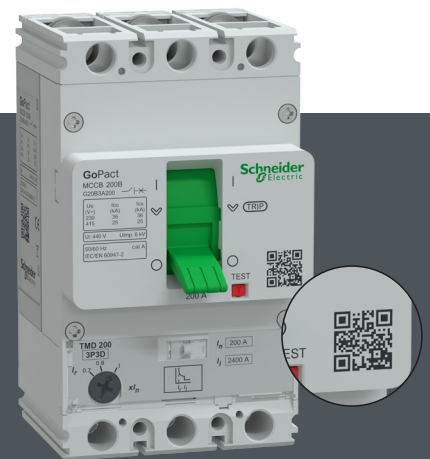
# Meaningful references to make your life easier

We believe that meaningful commercial references help to improve your productivity during the overall life cycle of the product from Selecting, Purchasing, Controlling, Mounting and Tracking phase.



## Scan QR code for circuit breaker updates

Each circuit breaker is equipped with a QR code that provides latest information about the circuit breaker.







INDUSTRIAL AUTOMATION



# Green Premium™

Endorsing eco-friendly products in the industry



Green Premium is the only label that allows you to effectively develop and promote an environmental policy whilst preserving your business efficiency. This ecolabel guarantees compliance with up-to-date environmental regulations, but it does more than this.

Over 75% of Schneider Electric manufactured products have been awarded the Green Premium ecolabel



Discover what we mean by green ...

**Check your products!**

Schneider Electric's Green Premium ecolabel is committed to offering transparency, by disclosing extensive and reliable information related to the environmental impact of its products:

#### RoHS

Schneider Electric products are subject to RoHS requirements at a worldwide level, even for the many products that are not required to comply with the terms of the regulation. Compliance certificates are available for products that fulfil the criteria of this European initiative, which aims to eliminate hazardous substances.

#### REACH

Schneider Electric applies the strict REACH regulation on its products at a worldwide level, and discloses extensive information concerning the presence of SVHC (Substances of Very High Concern) in all of its products.

#### PEP: Product Environmental Profile

Schneider Electric publishes complete set of environmental data, including carbon footprint and energy consumption data for each of the lifecycle phases on all of its products, in compliance with the ISO 14025 PEP ecopassport program. PEP is especially useful for monitoring, controlling, saving energy, and/or reducing carbon emissions.

#### EoLI: End of Life Instructions

Available at the click of a button, these instructions provide:

- Recyclability rates for Schneider Electric products
- Guidance to mitigate personnel hazards during the dismantling of products and before recycling operations
- Parts identification for recycling or for selective treatment, to mitigate environmental hazards/ incompatibility with standard recycling processes

# General contents

CÔNG TY CỔ PHẦN CÔNG NGHỆ HỢP LONG  
GoPact MCCB

Introduction

A

Protection release for MCCBs

B

Functions and characteristics

C

Dimensions

D

Technical data supplement

E

Commercial references

F

INDUSTRIAL AUTOMATION



*hoplong*  
Introduction

INDUSTRIAL AUTOMATION

## Introduction

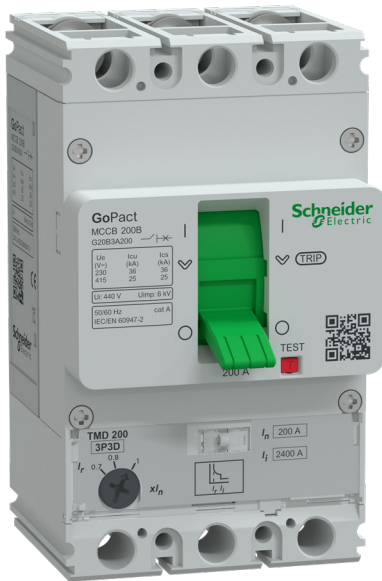
---

Overview .....	A-3
Features .....	A-3
Technical Datasheet .....	A-6

A



INDUSTRIAL AUTOMATION



The GoPact range of Molded Case Circuit Breaker (MCCB) is a culmination of innovation. Designed to meet the requirements of today's evolving electrical systems installations.

Considering the changing expectations of customers and a need for an economical and reliable solution, we introduce the GoPact range of MCCBs with operational voltages up to 415 V insulation 440 V and higher breaking capacities up to 70 kA at 415 V AC.

The thermal magnetic trip units (16 to 800 A) offers comprehensive protection for all needs. System designers and users can choose and implement the protection schemes fitting to their needs.

GoPact MCCB 800 ETU 2.4 equipped with electronic trip unit offers advanced protection.

### Features

- Double break contact system for all GoPact MCCB 250, 400 and 800 except GoPact MCCB 125 and 200 (single break)
- Range from 16 to 800 A available in 3 pole 3D and 4 pole 4D
- Protection using both TMD thermal magnetic trip unit (fixed and adjustable) and ETU 2.4 electronic trip unit (GoPact MCCB 800 only)
- Various types of power connection
- High electrical and mechanical life
- Large coverage of operational voltages
- Wide range of internal and external accessories
- Compact size provided with double insulation
- Common connection for fixed and plug-in versions

Schneider Electric do not recommend the mix of different ranges of breakers.

**Codes and standards**

GoPact MCCB series and auxiliaries comply with:

- IEC 60947-1: General rules
- IEC 60947-2: Circuit-breakers
- IEC 60947-5-1: Control circuit devices and switching elements – Electromechanical control circuit devices

Environment:

GoPact MCCB series respects the European directives 2011/65/UE and 2015/863/UE concerning the restriction of hazardous substances (RoHS).

**Power connection options**

- Terminal extension spreaders
- Rear connectors
- Steel bare cable connectors

**GoPact MCCB 125**

Trip unit	TMD Fixed/Adjustable
Current rating	16 A - 125 A
Breaking capacity (Icu) at 415 V AC	10 kA - 15 kA - 30 kA

**GoPact MCCB 200**

Trip unit	TMD Adjustable
Current rating	40 A - 200 A
Breaking capacity (Icu) at 415 V AC	25 kA - 36 kA

**GoPact MCCB 250**

Trip unit	TMD Adjustable
Current rating	160 A - 250 A
Breaking capacity (Icu) at 415 V AC	25 kA - 36 kA

**GoPact MCCB 400**

Trip unit	TMD Adjustable
Current rating	250 A - 400 A
Breaking capacity (Icu) at 415 V AC	36 kA - 50 kA

**GoPact MCCB 800**

Trip unit	TMD/ETU Adjustable
Current rating	500 A - 800 A
Breaking capacity (Icu) at 415 V AC	50 kA - 70 kA

GoPact MCCB will not provide Selectivity or Cascading table. Please contact your sales representative or CCC for more information.



## Overview

Order your GoPact MCCB through digital tools

To simplify and expedite the ordering of GoPact MCCB, new tools are introduced:

- **Product selector:**

An online software tool embedded in Schneider website or in distributor's website to help selecting the right product with its accessories.

- **MySE:**

Online ordering platform of Schneider for partners, offering most of our products.

### Product selector

Product selector aims at providing a fast, secure and smart way of selecting products. It includes the selection of the basic frame, trip unit, accessories. Compared with the traditional way of filling up order forms or specifying customer functions, it brings the following benefits:

- **Easy access:**

No login, direct access on Schneider website or on distributor's website

- **Reliable:**

Compatibilities between core product and accessories are constantly tested

To select your GoPact MCCB, use the product selector available at





GoPact MCCB 125		16 - 125 A			
Breaking capacity levels		T	E	F	
Poles		3P/4P			
Breaking capacity offered (kA rms) V AC 50-60 Hz					
IEC 60947-2	Ue 220 - 230 V AC	Icu	20 kA	25 kA	50 kA
		Ics	20 kA	25 kA	25 kA
	Ue 380 - 415 V AC	Icu	10 kA	15 kA	30 kA
		Ics	10 kA	15 kA	15 kA
Rated current (A)		16/20/25/32/40/50/63/80/100/125	16/20/25/32/40/50/63/80/100/125	16/20/25/32/40/50/63/80/100/125	
Utilisation category		Cat A	Cat A	Cat A	
Maximum rated current I <sub>n</sub> depending on the version		Fixed	125 A	125 A	125 A
		Plug in	Not offered	Not offered	Not offered
Rated insulation voltage U <sub>i</sub>					
		Main conducting paths	440 V	440 V	440 V
		Auxiliary circuits	440 V	440 V	440 V
Rated impulse withstand voltage U <sub>imp</sub>					
		Main conducting paths (kV)	6	6	6
		Auxiliary circuits (kV)	4	4	4
Rated operational voltage U <sub>e</sub>					
		Voltage (V)	415	415	415
Permissible ambient temperature range		Storage	-35 °C to 85 °C	-35 °C to 85 °C	-35 °C to 85 °C
		Operation	-20 °C to 55 °C	-20 °C to 55 °C	-20 °C to 55 °C
Durability (Operating cycles)		Mechanical	30,000	30,000	30,000
		Electrical at 400 V AC	125 A - 5000 100 A - 8000	125 A - 5000 100 A - 8000	125 A - 5000 100 A - 8000
Maximum switching frequency # operations per minute			2	2	2
Dimensions (H*W*D) (mm)		3 Pole	130*75*60	130*75*60	130*75*60
		4 Pole	130*100*60	130*100*60	130*100*60
Pole to pole distance mm (Pitch in mm)			25	25	25
Approx weight (kg)		Fixed (3P/4P)	0.7/0.9	0.7/0.9	0.7/0.9
		Plug-in (3P/4P)	Not offered	Not offered	Not offered
IP Protection		IP##	IP20 (Termination)/IP40(Panel cutout area)	IP20 (Termination)/IP40(Panel cutout area)	IP20 (Termination)/IP40(Panel cutout area)

GoPact MCCB 125					
Temperature derating	16 - 100 A	20 °C	112.40%	112.40%	112.40%
		30 °C	106.20%	106.20%	106.20%
		40 °C	100%	100%	100%
		45 °C	96.9%	96.9%	96.9%
		55 °C	90.7%	90.7%	90.7%
	125 A	20 °C	111.20%	111.20%	111.20%
		30 °C	105.60%	105.60%	105.60%
		40 °C	100%	100%	100%
		45 °C	97.2%	97.2%	97.2%
		55 °C	91.6%	91.6%	91.6%
Altitude derating factor		2000 m	1 In	1 In	1 In
		3000 m	0.96 In	0.96 In	0.96 In
		4000 m	0.93 In	0.93 In	0.93 In
		5000 m	0.93 In	0.93 In	0.93 In
			0.89 In	0.89 In	0.89 In



Technical Datasheet

GoPact MCCB 200			40 - 160 A	
Breaking capacity levels			B	F
Poles			3P/4P	
Breaking capacity offered (kA rms) V AC 50-60 Hz				
IEC 60947-2	Ue 220 - 230 V AC	Icu	36 kA	50 kA
		Ics	36 kA	50 kA
	Ue 380 - 415 V AC	Icu	25 kA	36 kA
		Ics	25 kA	36 kA
Rated current (A)			40/50/63/80/ 100/125/160	40/50/63/80/ 100/125/160
Utilisation category			Cat A	Cat A
Maximum rated current I <sub>n</sub> depending on the version		Fixed	160 A	160 A
		Plug in	144	144
Rated insulation voltage U <sub>i</sub>				
		Main conducting paths	440 V	440 V
		Auxiliary circuits	440 V	440 V
Rated impulse withstand voltage U <sub>imp</sub>				
		Main conducting paths (kV)	6	6
		Auxiliary circuits (kV)	4	4
Rated operational voltage U <sub>e</sub>				
		Voltage (V)	415	415
Permissible ambient temperature range		Storage	-35 °C to 85 °C	-35 °C to 85 °C
		Operation	-20 °C to 55 °C	-20 °C to 55 °C
Durability (Operating cycles)		Mechanical	30,000	30,000
		Electrical at 400 V AC	8,000	8,000
Maximum switching frequency # operations per minute			4	4
Dimensions (H*W*D) (mm)		3 Pole	130*75*60	130*75*60
		4 Pole	130*100*60	130*100*60
Pole to pole distance mm (Pitch in mm)			25	25
Approx weight (kg)		Fixed (3P/4P)	0.9/1.1	0.9/1.1
		Plug-in (3P/4P)	1.5/2.4	1.5/2.4
IP Protection		IP##	IP20 (Termination)/ IP40(Panel cutout area)	IP20 (Termination)/ IP40(Panel cutout area)

200 A			
Temperature derating	40 °C	100%	100%
	45 °C	100%	100%
	55 °C	100%	100%
Altitude derating factor	2000 m	0.96 In	0.96 In
	3000 m	0.93 In	0.93 In
	4000 m	0.89 In	0.89 In
	5000 m	0.89 In	0.89 In

GoPact MCCB 200			200 A	
Breaking capacity levels			B	F
Poles			3P/4P	
Breaking capacity offered (kA rms) V AC 50-60 Hz				
IEC 60947-2	Ue 220 - 230 V AC	Icu	36 kA	50 kA
		Ics	36 kA	50 kA
	Ue 380 - 415 V AC	Icu	25 kA	36 kA
		Ics	25 kA	36 kA
Rated current (A)			200	200
Utilisation category			Cat A	Cat A
Maximum rated current I <sub>n</sub> depending on the version			Fixed	200 A
			Plug in	160
Rated insulation voltage U <sub>i</sub>				
Main conducting paths			440 V	440 V
Auxiliary circuits			440 V	440 V
Rated impulse withstand voltage U <sub>imp</sub>				
Main conducting paths (kV)			6	6
Auxiliary circuits (kV)			4	4
Rated operational voltage U <sub>e</sub>				
Voltage (V)			415	415
Permissible ambient temperature range			Storage Operation	-35 °C to 85 °C -20 °C to 55 °C
Durability (Operating cycles)			Mechanical	20,000
			Electrical at 400 V AC	6,000
Maximum switching frequency # operations per minute				4
Dimensions (H*W*D) (mm)			3 Pole	130*75*60
			4 Pole	130*100*60
Pole to pole distance mm (Pitch in mm)				25
Approx weight (kg)			Fixed (3P/4P)	0.9/1.1
			Plug-in (3P/4P)	1.5/2.4
IP Protection			IP20 (Termination)/ IP40(Panel cutout area)	IP20 (Termination)/ IP40(Panel cutout area)

200 A			
Temperature derating	40 °C	100%	100%
	45 °C	100%	100%
	55 °C	100%	100%
Altitude derating factor	2000 m	0.96 In	0.96 In
	3000 m	0.93 In	0.93 In
	4000 m	0.89 In	0.89 In
	5000 m	0.89 In	0.89 In



Technical Datasheet

GoPact MCCB 250		160 - 250 A		
Breaking capacity levels		B	F	
Poles		3P/4P		
Breaking capacity offered (kA rms) V AC 50-60 Hz				
IEC 60947-2	Ue 220 - 230 V AC	Icu	36 kA	50 kA
		Ics	36 kA	50 kA
	Ue 380 - 415 V AC	Icu	25 kA	36 kA
		Ics	25 kA	36 kA
Rated current (A)		160/200/250	160/200/250	
Utilisation category		Cat A	Cat A	
Maximum rated current I <sub>n</sub> depending on the version		Fixed	250 A	250 A
		Plug in	225	225
Rated insulation voltage U <sub>i</sub>				
		Main conducting paths	440 V	440 V
		Auxiliary circuits	440 V	440 V
Rated impulse withstand voltage U <sub>imp</sub>				
		Main conducting paths (kV)	8	8
		Auxiliary circuits (kV)	4	4
Rated operational voltage U <sub>e</sub>				
		Voltage (V)	415	415
Permissible ambient temperature range		Storage	-35 °C to 85 °C	-35 °C to 85 °C
		Operation	-20 °C to 55 °C	-20 °C to 55 °C
Durability (Operating cycles)		Mechanical	25,000	25,000
		Electrical at 400 V AC	8,000	8,000
Maximum switching frequency # operations per minute			2	2
Dimensions (H*W*D) (mm)		3 Pole	165*105*90	165*105*90
		4 Pole	165*140*90	165*140*90
Pole to pole distance mm (Pitch in mm)			35	35
Approx weight (kg)		Fixed (3P/4P)	1.9/2.4	1.9/2.4
		Plug-in (3P/4P)	3.4/4.2	3.4/4.2
IP Protection		IP##	IP20 (Termination)/ IP40(Panel cutout area)	IP20 (Termination)/ IP40(Panel cutout area)

250 A			
Temperature derating	40 °C	100%	100%
	45 °C	100%	100%
	55 °C	100%	100%
Altitude derating factor	2000 m	1 In	1 In
	3000 m	0.96 In	0.96 In
	4000 m	0.93 In	0.93 In
	5000 m	0.89 In	0.89 In

GoPact MCCB 400			250 - 400 A	
Breaking capacity levels			F	N
Poles			3P/4P	
Breaking capacity offered (kA rms) V AC 50-60 Hz				
IEC 60947-2	Ue 220 - 230 V AC	Icu	45 kA	65 kA
		Ics	45 kA	65 kA
	Ue 380 - 415 V AC	Icu	36 kA	50 kA
		Ics	36 kA	50 kA
Rated current (A)			250/320/400	250/320/400
Utilisation category			Cat A	Cat A
Maximum rated current I <sub>n</sub> depending on the version		Fixed	400 A	400 A
		Plug in	360	360
Rated insulation voltage U <sub>i</sub>				
Main conducting paths			440 V	440 V
Auxiliary circuits			440 V	440 V
Rated impulse withstand voltage U <sub>imp</sub>				
Main conducting paths (kV)			8	8
Auxiliary circuits (kV)			4	4
Rated operational voltage U <sub>e</sub>				
Voltage (V)			415	415
Permissible ambient temperature range		Storage	-35 °C to 85 °C	-35 °C to 85 °C
		Operation	-20 °C to 55 °C	-20 °C to 55 °C
Durability (Operating cycles)		Mechanical	15,000	15,000
		Electrical at 400 V AC	5,000	5,000
Maximum switching frequency # operations per minute			2	2
Dimensions (H*W*D) (mm)		3 Pole	205*120*105	205*120*105
		4 Pole	205*160*105	205*160*105
Pole to pole distance mm (Pitch in mm)			40	40
Approx Weight (kg)		Fixed (3P/4P)	3.5/4.5	3.5/4.5
		Plug-in (3P/4P)	7/9	7/9
IP Protection		IP##	IP20 (Termination)/ IP40(Panel cutout area)	IP20 (Termination)/ IP40(Panel cutout area)

400 A			
Temperature derating	40 °C	100%	100%
	45 °C	100%	100%
	55 °C	100%	100%
Altitude derating factor	2000 m	1 In	1 In
	3000 m	0.96 In	0.96 In
	4000 m	0.93 In	0.93 In
	5000 m	0.89 In	0.89 In



Technical Datasheet

GoPact MCCB 800		500 - 630 A		
Breaking capacity levels		N	H	
Poles		3P/4P		
Breaking capacity offered (kA rms) V AC 50-60 Hz				
IEC 60947-2	Ue 220 - 230 V AC	Icu	65 kA	80 kA
		Ics	65 kA	80 kA
	Ue 380 - 415 V AC	Icu	50 kA	70 kA
		Ics	50 kA	70 kA
Rated current (A)		TMD ETU	500/630 A 500/630 A	500/630 A 500/630 A
Utilisation category			Cat A	Cat A
Maximum rated current I <sub>n</sub> depending on the version		Fixed Plug in	630 A 630	630 A 630
Rated insulation voltage U <sub>i</sub>				
		Main conducting paths	440 V	440 V
		Auxiliary circuits	440 V	440 V
Rated impulse withstand voltage U <sub>imp</sub>				
		Main conducting paths (kV)	8	8
		Auxiliary circuits (kV)	4	4
Rated operational voltage U <sub>e</sub>				
		Voltage (V)	415	415
Permissible ambient temperature range		Storage Operation	-35 °C to 85 °C -20 °C to 55 °C	-35 °C to 85 °C -20 °C to 55 °C
Durability (Operating cycles)		Mechanical Electrical at 400 V AC	15,000 3,000	15,000 3,000
Maximum switching frequency # operations per minute			1	1
Dimensions (H*W*D) (mm)		3 Pole 4 Pole	250*180*105 250*240*105	250*180*105 250*240*105
Pole to pole distance mm (Pitch in mm)			60	60
Approx weight (kg)		Fixed (3P/4P) Plug-in (3P/4P)	6.9/8.9 19/24	6.9/8.9 19/24
IP Protection		IP##	IP20 (Termination)/ IP40(Panel cutout area)	IP20 (Termination)/ IP40(Panel cutout area)

800 A			
Temperature derating	40 °C	100%	100%
	45 °C	100%	100%
	55 °C	100%	100%
Altitude derating factor	2000 m	1 In	1 In
	3000 m	0.93 In	0.93 In
	4000 m	0.89 In	0.89 In
	5000 m	0.89 In	0.89 In

GoPact MCCB 800			800 A	
Breaking capacity levels			N	H
Poles			3P/4P	
Breaking capacity offered (kA rms) V AC 50-60 Hz				
IEC 60947-2	Ue 220 - 230 V AC	Icu	65 kA	80 kA
		Ics	65 kA	80 kA
	Ue 380 - 415 V AC	Icu	50 kA	70 kA
		Ics	50 kA	70 kA
Rated current (A)		TMD	800 A	800 A
		ETU	800 A	800 A
Utilisation category			Cat A	Cat A
Maximum rated current I <sub>n</sub> depending on the version		Fixed	800 A	800 A
		Plug in	720	720
Rated insulation voltage U <sub>i</sub>				
Main conducting paths			440 V	440 V
Auxiliary circuits			440 V	440 V
Rated impulse withstand voltage U <sub>imp</sub>				
Main conducting paths (kV)			8	8
Auxiliary circuits (kV)			4	4
Rated operational voltage U <sub>e</sub>				
Voltage (V)			415	415
Permissible ambient temperature range		Storage	-35 °C to 85 °C	-35 °C to 85 °C
		Operation	-20 °C to 55 °C	-20 °C to 55 °C
Durability (Operating cycles)		Mechanical	15,000	15,000
		Electrical at 400 V AC	3,000	3,000
Maximum switching frequency # operations per minute			1	1
Dimensions (H*W*D) (mm)		3 Pole	250*180*105	250*180*105
		4 Pole	250*240*105	250*240*105
Pole to pole distance mm (Pitch in mm)			60	60
Approx weight (kg)		Fixed (3P/4P)	6.9/8.9	6.9/8.9
		Plug-in (3P/4P)	19/24	19/24
IP Protection		IP##	IP20 (Termination)/ IP40(Panel cutout area)	IP20 (Termination)/ IP40(Panel cutout area)

800 A			
Temperature derating	40 °C	100%	100%
	45 °C	100%	100%
	55 °C	100%	100%
Altitude derating factor	2000 m	1 In	1 In
	3000 m	0.96 In	0.96 In
	4000 m	0.93 In	0.93 In
	5000 m	0.89 In	0.89 In



# Protection Release for MCCBs

INDUSTRIAL AUTOMATION



## Protection Release for MCCBs

---

TMD Thermal magnetic trip unit ..... B-3

GoPact 800 ETU 2.4 Electronic trip unit ..... B-4

B



INDUSTRIAL AUTOMATION

# TMD Thermal magnetic trip unit

## Features

### TMD Thermal magnetic Trip units

Circuit breaker equipped with thermal magnetic trip units are used mainly in industrial and commercial electrical distribution applications for protection of cables on distribution systems supplied by transformers.

#### Thermal protection (Ir)

Thermal protection operates according to:

- Ir that can be adjusted in amps from 0.8 to 1 times the rating of the trip unit  
In (16 to 800 A), corresponding to settings from 13 to 800 A for the range of trip units

#### Magnetic protection (Ii)

Short-circuit protection with a fixed pick-up, Ii that initiates instantaneous tripping if exceeded.

#### Protection versions

3 pole:

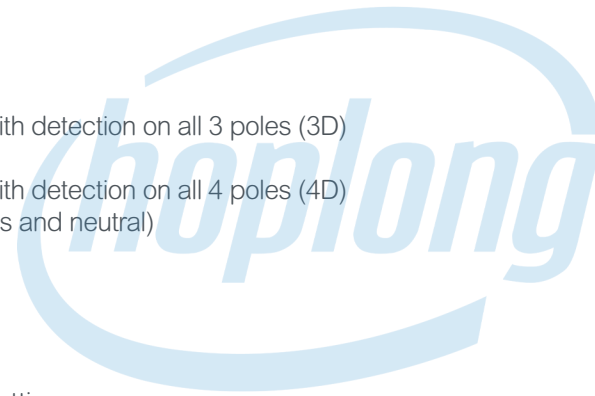
- 3P 3D: 3 pole frame (3P) with detection on all 3 poles (3D)

4 pole:

- 4P 4D: 4 pole frame (4P) with detection on all 4 poles (4D)  
(same protection for phases and neutral)

#### Features

- Fixed or Adjustable overload settings
- Fixed short circuit settings



### INDUSTRIAL AUTOMATION

Thermal magnetic trip units		16 to 800 A																		
Thermal protection																				
	Rated Current	16	20	25	32	40	50	63	80	100	125	160	200	250	320	400	500	630	800	
GoPact 125	Fixed / Adjustable 0.8 In to 1.0 In	■	■	■	■	■	■	■	■	■	■	-	-	-	-	-	-	-	-	
GoPact 200	Adjustable - 0.7 In to 1.0 In	-	-	-	-	■	■	■	■	■	■	■	■	-	-	-	-	-	-	
GoPact 250	Adjustable - 0.7 In to 1.0 In	-	-	-	-	-	-	-	-	-	-	■	■	■	-	-	-	-	-	
GoPact 400	Adjustable - 0.7 In to 1.0 In	-	-	-	-	-	-	-	-	-	-	-	-	■	■	■	-	-	-	
GoPact 800	Adjustable - 0.7 In to 1.0 In	-	-	-	-	-	-	-	-	-	-	-	-	-	-	-	■	■	■	
Magnetic protection																				
	Rated Current	16	20	25	32	40	50	63	80	100	125	160	200	250	320	400	500	630	800	
GoPact 125	Fixed	320	320	320	320	400	500	630	800	1000	1250	-	-	-	-	-	-	-	-	
GoPact 200	Fixed	-	-	-	-	480	600	756	960	1200	1500	1920	2400	-	-	-	-	-	-	
GoPact 250	Fixed	-	-	-	-	-	-	-	-	-	-	1920	2400	3000	-	-	-	-	-	
GoPact 400	Fixed	-	-	-	-	-	-	-	-	-	-	-	-	3000	3840	4800	-	-	-	
GoPact 800	Fixed	-	-	-	-	-	-	-	-	-	-	-	-	-	-	-	-	6000	6300	6400

# CÔNG TY CỔ PHẦN CÔNG NGHỆ HOP LONG

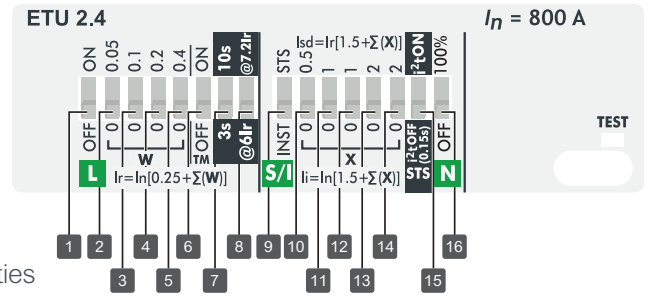
## Protection Release for MCCBs

# GoPact 800 ETU 2.4 Electronic trip unit

## Features

### Features

- Wide range of overload setting from 0.25 In
- Adjustable trip class
- Neutral overload protection
- Short circuit setting with delay or instantaneous option
- Thermal memory defeat
- Provision for release testing



### Protection

Settings are made using the DIP switches with adjustment possibilities

- 1 Long time protection (Overloads) - ON/OFF
- 2 to 5 Ir adjustability -  $I_r = 0.25$  to  $1 \times I_n$  (Step of 0.05)
- 6 Thermal Memory - ON/OFF\*\*
- 7 to 8 Time delay,  $T_r$  (Inverse) 4 different curves - 3s or 10s at  $6 \times I_r$  or  $7.2 \times I_r$
- 9 Adjustability on Instantaneous or Short Time (Short Circuit) - INST/STS
- 10 to 14  $I_i$  or  $I_{sd}$  adjustability -  
 $I_i^* = 1.5$  to  $8/10/12 \times I_n$  (Step of 0.5)  
 $T_i = 40$  ms  
 or  
 $I_{sd}^* = 1.5$  to  $8/10/12 \times I_r$  (Step of 0.5)  
 $T_{sd} = 150$  ms
- 15 Short Time Protection mode -  $i^2t$  OFF/  $i^2t$  ON  
 $i^2t$  OFF = constant time curve at 150 ms  
 $i^2t$  ON = inverse-time curve
- 16 Neutral protection - ON/OFF
  - for 3P circuit breaker - not possible
  - for 4P circuit breaker - neutral fully protected at  $I_r$ .



#### ETU 2.4 Electronic trip units

LS/IN	
Rated Current	500 - 800 A
Frame	Frame 800
<b>OverLoad (Phase)</b>	
Current setting $I_r$ ( $I_r = x I_n$ )	0.25 to $1 \times I_n$ (in step of 0.05)
Time delay, $T_r$ (Inverse)	10s at $6 I_r$ , 3s at $6 I_r$ , 10s at $7.2 I_r$ , 3s at $7.2 I_r$
Protection Mode	ON/OFF
Thermal Memory	Enable/Disable
<b>OverLoad (Neutral)</b>	
Current setting ( $I$ neutral = $I_r$ )	OFF/ $1.0 \times I_r$ when overload protection mode is OFF then $I_r = I_n$
Time delay, $T_r$ (Inverse)	As per Overload Curve Setting
Protection Mode	ON/OFF
<b>Short Circuit</b>	
Current setting $I_{sd}$ ( $I_{sd} = x I_r$ )	$1.5$ to $8/10/12^* \times I_r$ (in step of 0.5) when overload protection mode is OFF then $I_r = I_n$
Time delay, $T_{sd}$	150 ms
$I^2T$	ON/OFF
<b>Instantaneous</b>	
Current setting $I_i$ ( $I_i = x I_n$ )	$1.5$ to $8/10/12^* \times I_n$ (in step of 0.5)

\* DIP Switches values

DIP Switch No.	10	11	12	13	14	$1.5 + \sum_{k=10}^{14}$
500 A	1.5	0.5	1	2	3	=12
630 A	1.5	0.5	1	2	2	=10
800 A	1.5	0.5	1	1	2	=8

\*\* When Thermal Memory is OFF, then MCCB follows overload delays after every power cycle (power outage), ON-OFF-ON cycle or trip due to fault. When Thermal Memory is ON the tripping time reduces below overload delays after every power cycle (power outage), OFF-ON cycle or trip due to overload fault. The reduction in trip time for subsequent overload fault depends on the OFF time. Higher the OFF time, trip time would be closer to standard overload curve. Thermal memory is not applicable for short time or instantaneous faults.



# Functions and Characteristics

INDUSTRIAL AUTOMATION

## Functions and Characteristics

---

Accessories and Auxiliaries .....	C-3
Internal accessories .....	C-3
Shunt trip release (MX) .....	C-3
Voltage release (MN) .....	C-4
External accessories .....	C-5
Plug-in Version .....	C-6
Conversion kit .....	C-6



INDUSTRIAL AUTOMATION



# Accessories and Auxiliaries

## Overview

### Internal Accessories

GoPact MCCBs offers a wide range of accessories. There are up to 6 cavities for a variety of accessories, which allow customers to use all possible combinations and provide maximum flexibility.

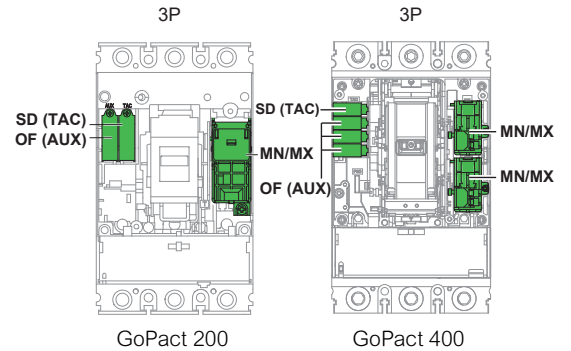
Available voltages for OF (Auxiliary contact) and SD (Trip alarm contact):

- AC 240 V max
- DC 12 V, 24 V, 48 V, 110 V, 220 V

Available voltages for MN (UV) and MX (Shunt release):

- AC 24 V, 48 V, 110 V, 240 V, 415 V
- DC 12 V, 24 V, 48 V, 110 V, 220 V

Internal Accessories	Maximum available cavity (nos)	Poles	GoPact MCCB
OF (Auxiliary contact)	1 (Right)	3P/4P	GO MCCB 125
SD (Trip alarm contact)	1 (Right)		
OF (Auxiliary contact)	1 (Left)	3P/4P	GO MCCB 200
SD (Trip alarm contact)	1 (Left)		
OF (Auxiliary contact)	2 (Left)	3P/4P	GO MCCB 250
SD (Trip alarm contact)	1 (Right)		
OF (Auxiliary contact)	3 (Left)	3P/4P	GO MCCB 400
SD (Trip alarm contact)	1 (Left)		
OF (Auxiliary contact)	3 (Left)	3P/4P	GO MCCB 800
SD (Trip alarm contact)	1 (Left)		
MN / MX (UV / Shunt release)	1 (Left)	3P	GO MCCB 125
	1 (Left)	4P	GO MCCB 125
MX (Shunt release)	1 (Left)	4P	GO MCCB 125
MN / MX (UV / Shunt release)	1 (Right)	3P/4P	GO MCCB 200
	1 (Right)	3P/4P	GO MCCB 250
	2 (Right)	3P/4P	GO MCCB 400
	2 (Right)	3P/4P	GO MCCB 800



### Shunt trip release (MX)

The MX release opens the circuit breaker via an impulse-type ( $\geq 20$  ms) or maintained order.

#### Opening conditions

When the MX release is supplied, it automatically opens the circuit breaker. Ensures the opening of the circuit breaker when voltage  $U \geq 0.7 \times U_n$ .



#### Shunt trip release (MX) GoPact MCCB 125

Shunt trip response voltage	Pickup (circuit breaker tripped) $U_s$	0.7 to 1.1 $U_n$
Power consumption in (short time) at (W/V A):	50/60 Hz 110 - 415 V AC	5

#### Shunt trip release (MX) GoPact MCCB 200 and GoPact MCCB 250

Shunt trip response voltage	Pickup (circuit breaker tripped) $U_s$	0.7 to 1.1 $U_n$
	24 V DC	5
	48 V DC	5
Power consumption in (short time) at (W/V A):	50/60 Hz 110 V AC	5
	50/60 Hz 240 V AC	5
	50/60 Hz 415 V AC	5

#### Shunt trip release (MX) GoPact MCCB 400 and GoPact MCCB 800

Shunt trip response voltage	Pickup (circuit breaker tripped) $U_s$	0.7 to 1.1 $U_n$
	24 V DC	5
	48 V DC	5
Power consumption in (short time) at (W/V A):	50/60 Hz 110 V AC	5
	50/60 Hz 240 V AC	5
	50/60 Hz 415 V AC	5

## Voltage release (MN)

The MN release opens the circuit breaker when its supply voltage drops to a value below 35% of its rated voltage  $U_n$ . Undervoltage tripping, combined with an emergency-off button, provides secure tripping. The MN release is continuously supplied, unless the supply is interrupted:

- Either voluntarily, by the emergency-off button
- Or accidentally, through loss of power or incorrect wiring.

The release provokes opening of the circuit breaker.

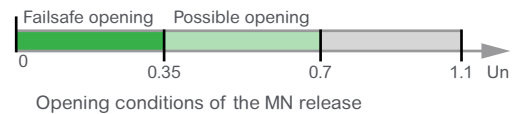
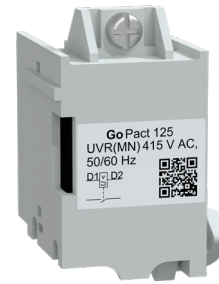
### Opening conditions

Circuit breaker tripping by an MN release meets the requirements of standard IEC 60947-2.

- Automatic opening of the circuit breaker is ensured when the continuous voltage supply to the release  $U \leq 0.35 \times U_n$ .
- If the supply voltage is between 0.35 and 0.7  $U_n$ , the opening is possible, but not guaranteed. Above 0.7  $U_n$ , the opening does not take place.

### Closing conditions

If there is no supply to the MN release, it is impossible to close the circuit breaker, either manually or electrically. Closing is ensured when the voltage supply to the release  $U \geq 0.85 \times U_n$ .



### Voltage release (MN) GoPact MCCB 125

Response voltage	Drop (circuit breaker tripped) $U_s$	0.35 to 0.7 $U_n$
	Pickup (circuit breaker may be switched on) $U_s$	0.85 to 1.1 $U_n$
Power consumption in (short time) at (W/VA):	50/60 Hz 110 V AC	5
	50/60 Hz 240 V AC	5
	50/60 Hz 415 V AC	5

### Voltage release (MN) GoPact MCCB 200 and GoPact MCCB 250

Response voltage	Drop (circuit breaker tripped) $U_s$	0.35 to 0.7 $U_n$
	Pickup (circuit breaker may be switched on) $U_s$	0.85 to 1.1 $U_n$
Power consumption in (short time) at (W/VA):	50/60 Hz 110 V AC	5
	50/60 Hz 240 V AC	5
	50/60 Hz 415 V AC	5

### Voltage release (MN) GoPact MCCB 400 and GoPact MCCB 800

Response voltage	Drop (circuit breaker tripped) $U_s$	0.35 to 0.7 $U_n$
	Pickup (circuit breaker may be switched on) $U_s$	0.85 to 1.1 $U_n$
Power consumption in (short time) at (W/VA):	50/60 Hz 110 V AC	5
	50/60 Hz 240 V AC	5
	50/60 Hz 415 V AC	5



Voltage Release MN/MX

Auxiliary contact (OF/SD)

# Functions and Characteristics

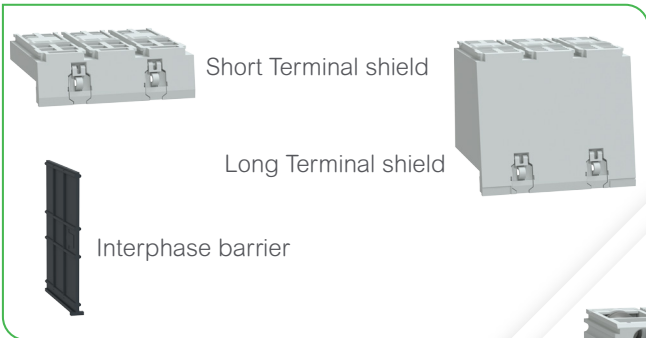
## CÔNG TY CỔ PHẦN CÔNG NGHỆ HỢP LONG

### Accessories and Auxiliaries

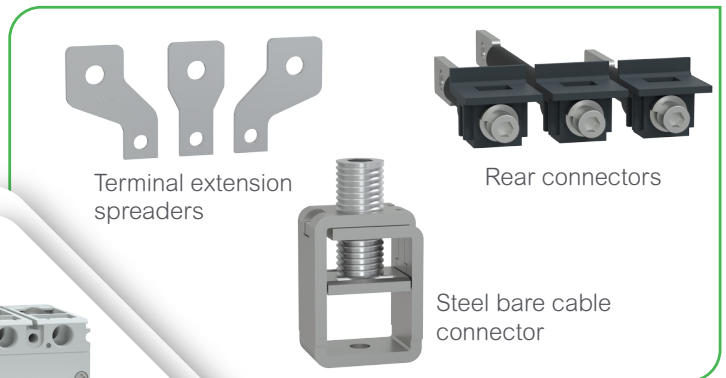
#### Overview

#### External Accessories

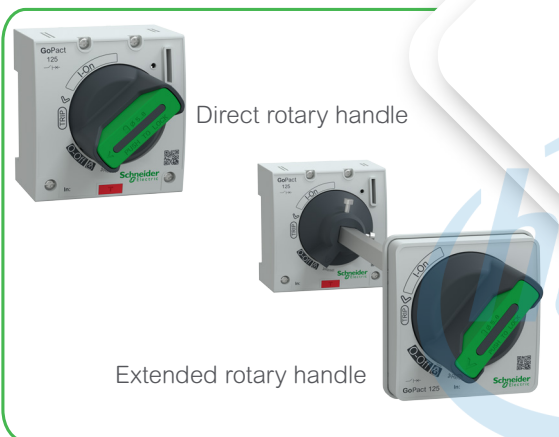
##### Insulation auxiliaries



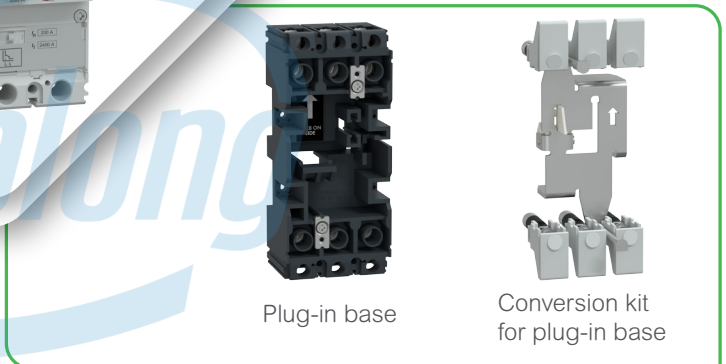
##### Power connection accessories



##### Control accessories



##### Electrical auxiliaries



## Rotary Handle

Rotary Handle for GoPact MCCB are available in both direct as well as extended versions. Padlocking is possible only with direct rotary handle or extended rotary handle.

### Features:

#### Common for Direct and Extended Rotary handle

- Clear ON/OFF/TRIP Indication
- Adaptability to any quadrant use
- Door interlock in ON condition, with defeat facility
- Three padlocks can be used with diameter from 5 to 8 mm

#### Direct Rotary handle

- Direct access to trip the device through TEST button
- Ingress protection (IP) of IP20 in direct versions

#### Extended Rotary handle

- Access to trip the device through TEST button after door defeat.
- Adjustment of misalignment in the extended version by  $\pm 3$  mm.
- Ingress protection (IP) of IP54 in extended versions
- Door interlock in OFF condition with padlock feature



## Plug-in Version GoPact MCCB 200 to 800

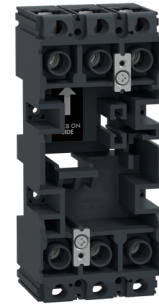
MCCBs with Plug-in modules are used in applications where fast replacement is required. In such cases, MCCB with plug-in base can be safely removed from the system without removing the power connections and replaced with a new MCCB.

Once MCCB is removed from the plug-in base, it offers complete isolation from the supply and helps to maintain the safety of personnel working on down-stream feeders.

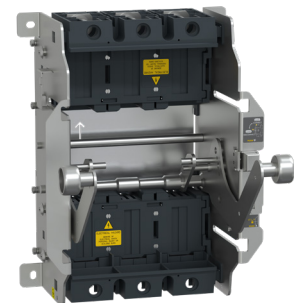
### Features:

- Inbuilt safety interlock that prevents plugging in/out of MCCB when it is in ON condition
- Suitable for all types of connections i.e. direct, terminal extension spreaders, steel bare cable connectors and rear connectors
- Provision for both base mounting and channel mounting
- Ingress Protection (IP):
  - IP20 - MCCB plugged out condition
  - IP40 - MCCB plugged in condition

Plug-in fixed part: It consists of a plug-in base which is an insulated component, which has provisions to accommodate socket assemblies, IP covers, finger shields, terminals, mounting plates and shields. All connections available on MCCBs are also available on plug-in modules.



GoPact MCCB 200 - 400



GoPact MCCB 800

## Conversion kit

The conversion kit contains a rear plate assembly that has a safety lock mechanism. The rear plate is fastened to the rear side of MCCB by screws. The safety lock mechanism is used to prevent the movement of circuit breaker to or from the connected position when the circuit breaker is in ON condition.

The mechanism creates a physical obstacle to the insertion of MCCB which is in ON condition.

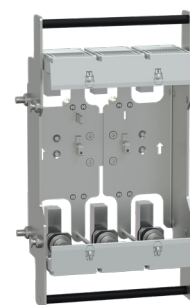
The Kit also includes:

- **Plugs and Handles**
  - Plugs are fastened to the MCCB terminals and make electric contact with the Plug-in base terminals through socket assemblies.
  - Handles/Gripper which ensures easy removal and insertion of the circuit breaker in the Plug-in base when in OFF condition.

Mounting screws are used to secure the circuit breaker to the Plug-in base (not applicable for GoPact MCCB 800).

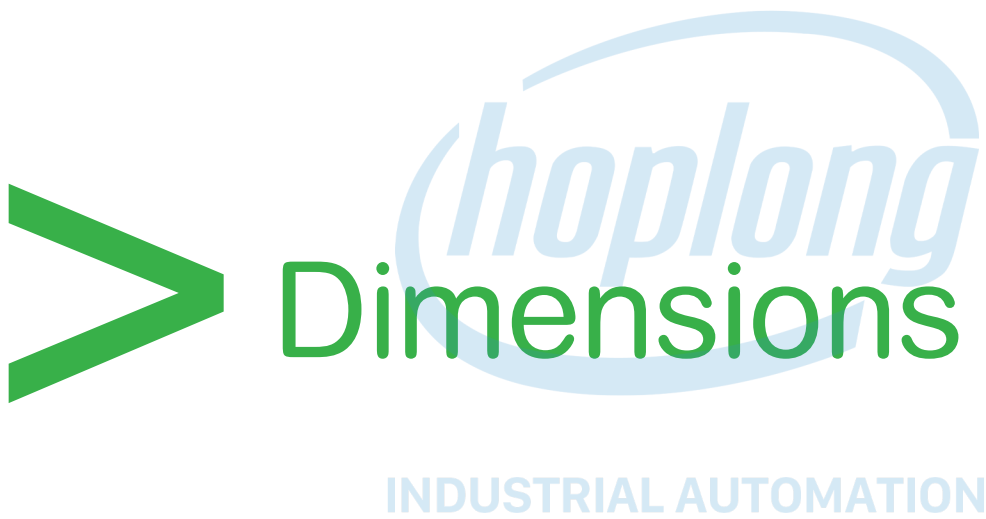


GoPact MCCB 200 - 400



GoPact MCCB 800

CÔNG TY CỔ PHẦN CÔNG NGHỆ HỢP LONG



Hotline: 1900.6536 - Website: [HOPLONGTECH.COM](http://HOPLONGTECH.COM)

## Dimensions

---

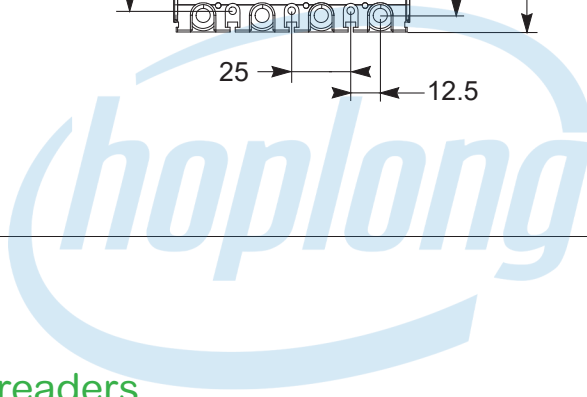
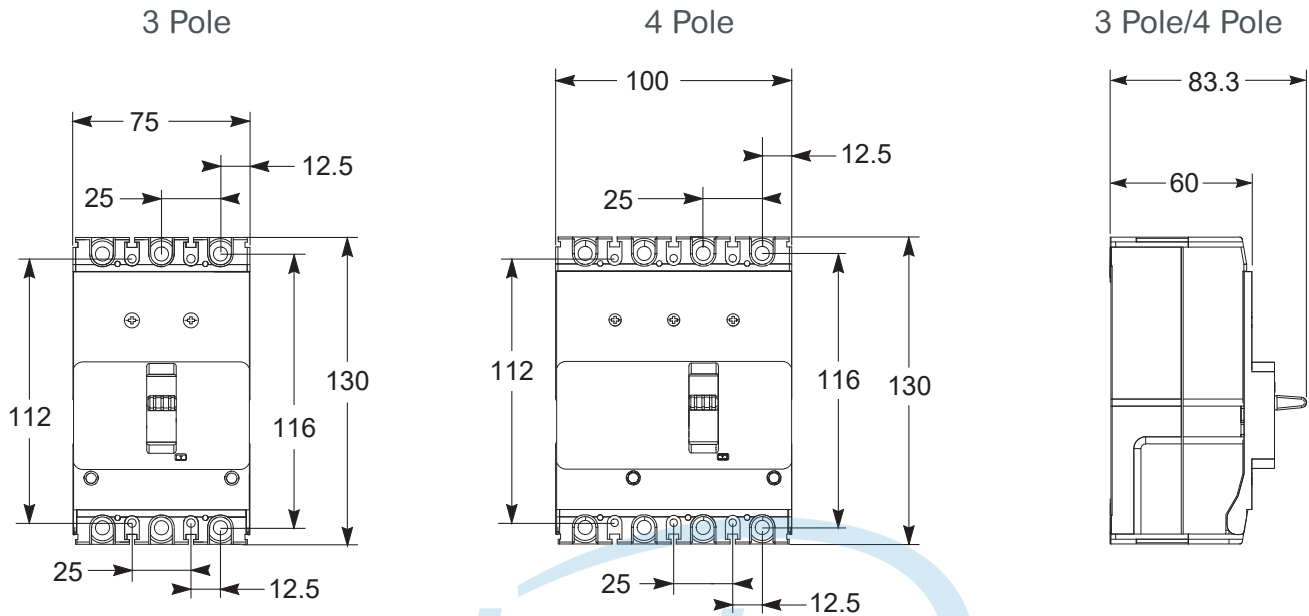
GoPact MCCB 125 .....	D-3
GoPact MCCB 200 .....	D-5
GoPact MCCB 250 .....	D-7
GoPact MCCB 400 .....	D-9
GoPact MCCB 800 .....	D-11
Plug-in base for GoPact MCCB 200, 250 and 400 ....	D-14
Plug-in base for GoPact MCCB 800 .....	D-16
Rear connectors .....	D-18
Direct Rotary handle .....	D-23
Extended Rotary handle .....	D-24
Short and Long Terminal Shield.....	D-26

INDUSTRIAL AUTOMATION

# GoPact MCCB 125

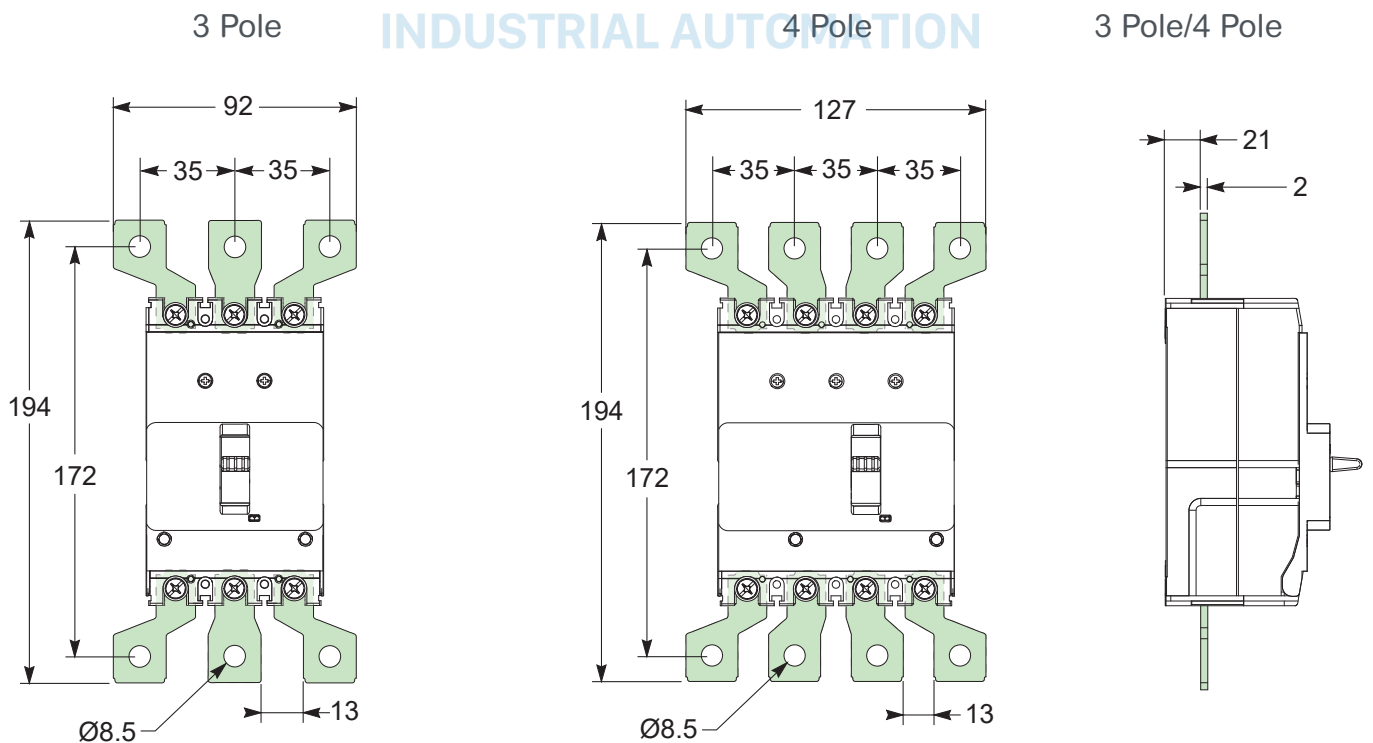
MCCB and Terminal extension spreaders

## MCCB



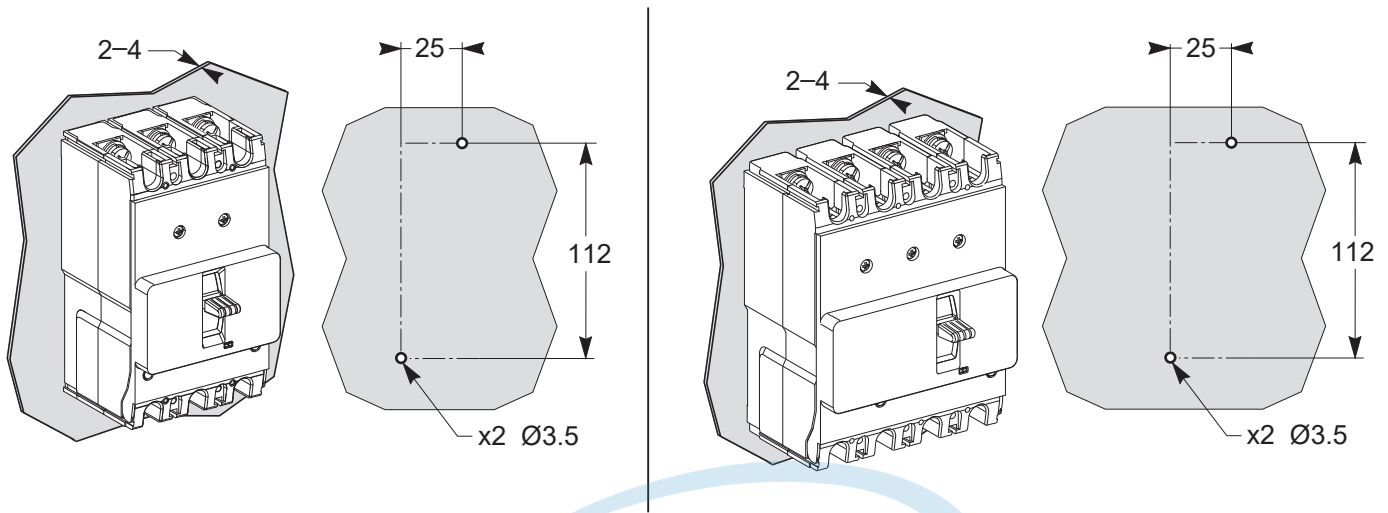
## Terminal extension spreaders

### INDUSTRIAL AUTOMATION



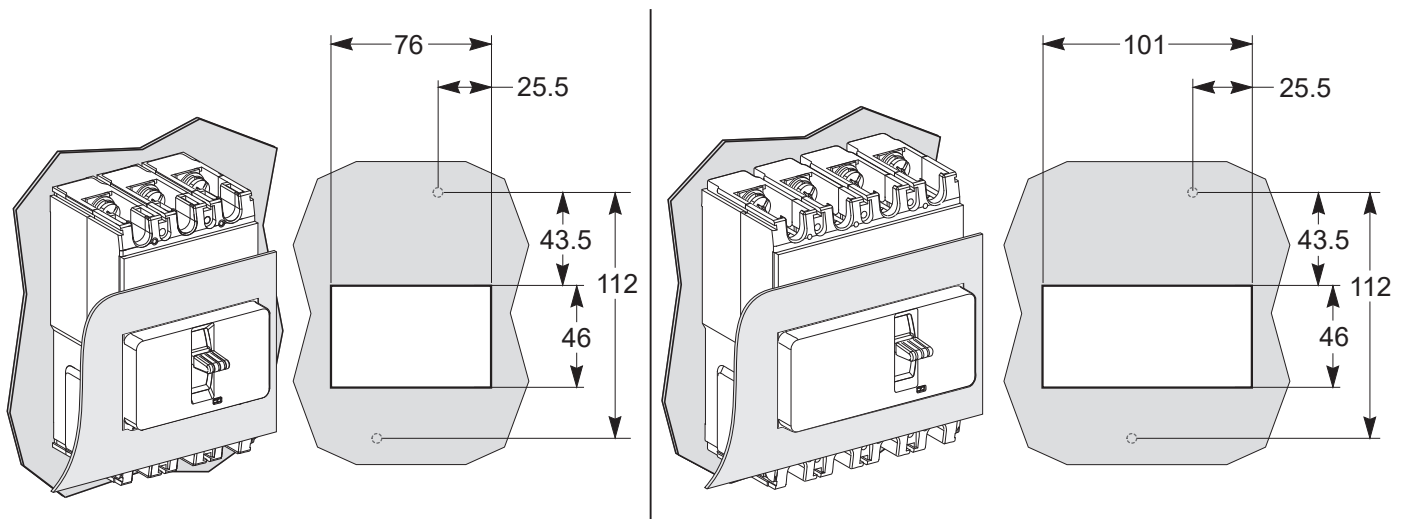
Mounting holes and Front-panel cutouts

Mounting holes



Front-panel cutouts

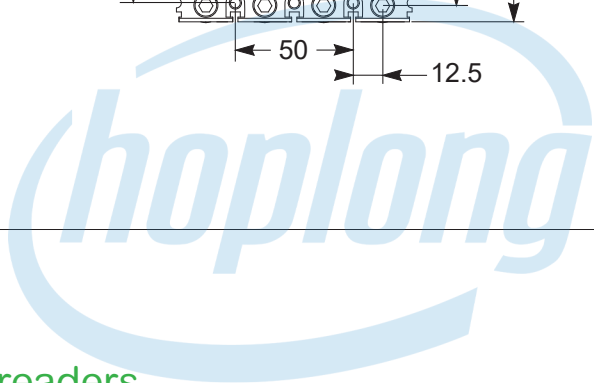
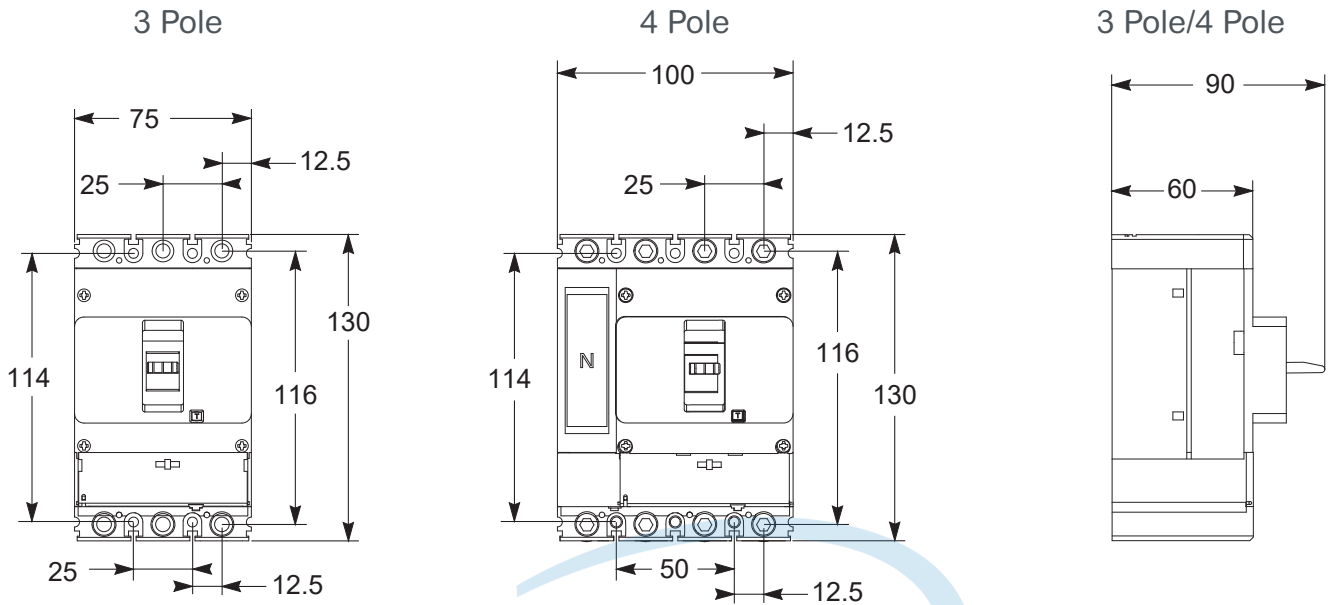
INDUSTRIAL AUTOMATION



# GoPact MCCB 200

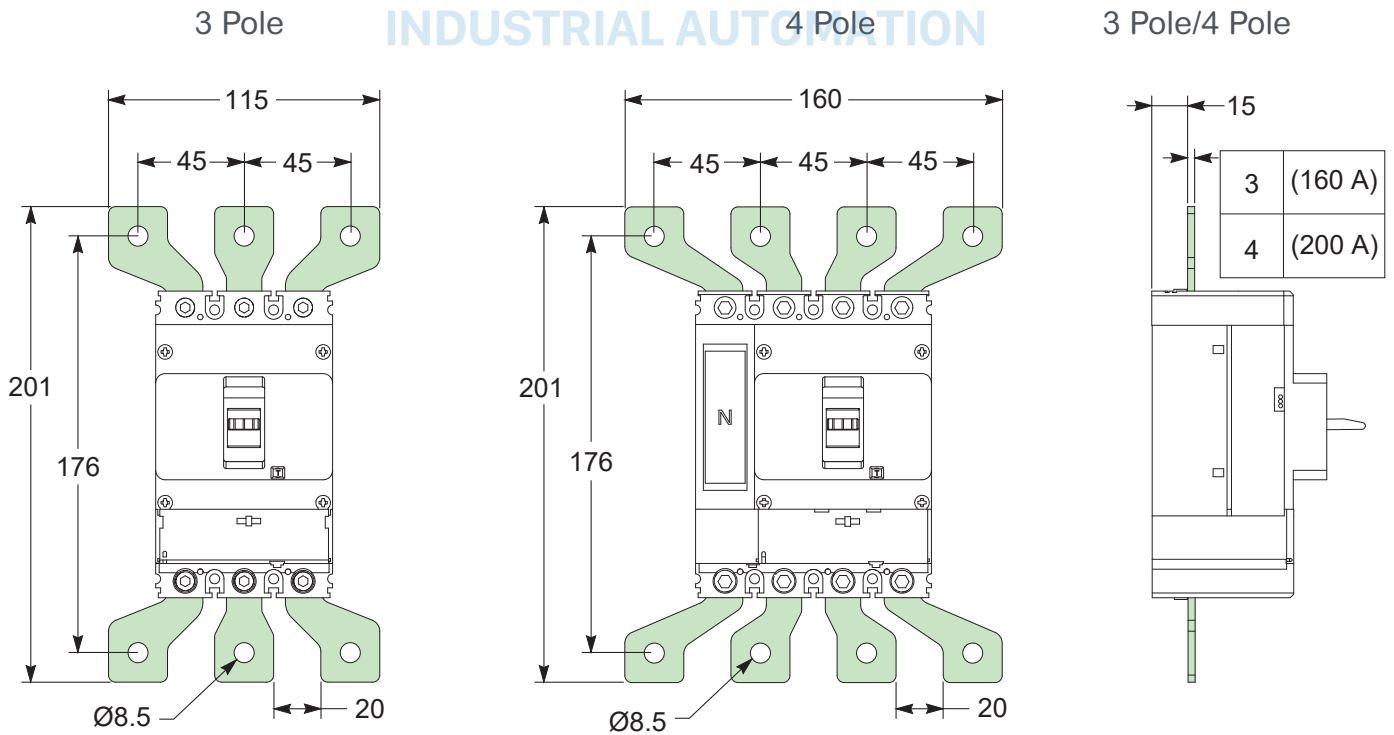
MCCB and Terminal extension spreaders

## MCCB



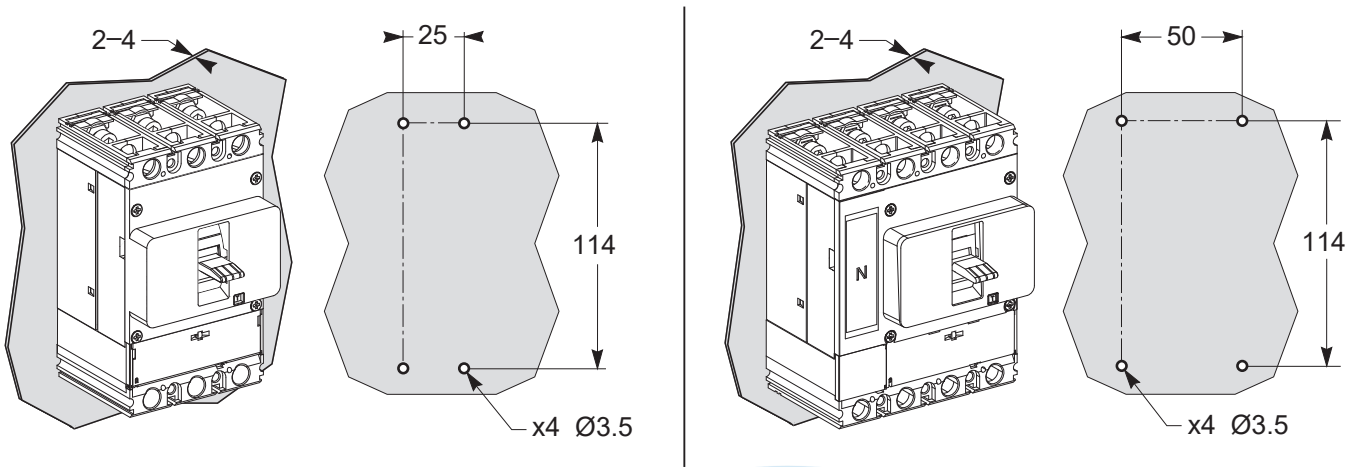
## Terminal extension spreaders

INDUSTRIAL AUTOMATION



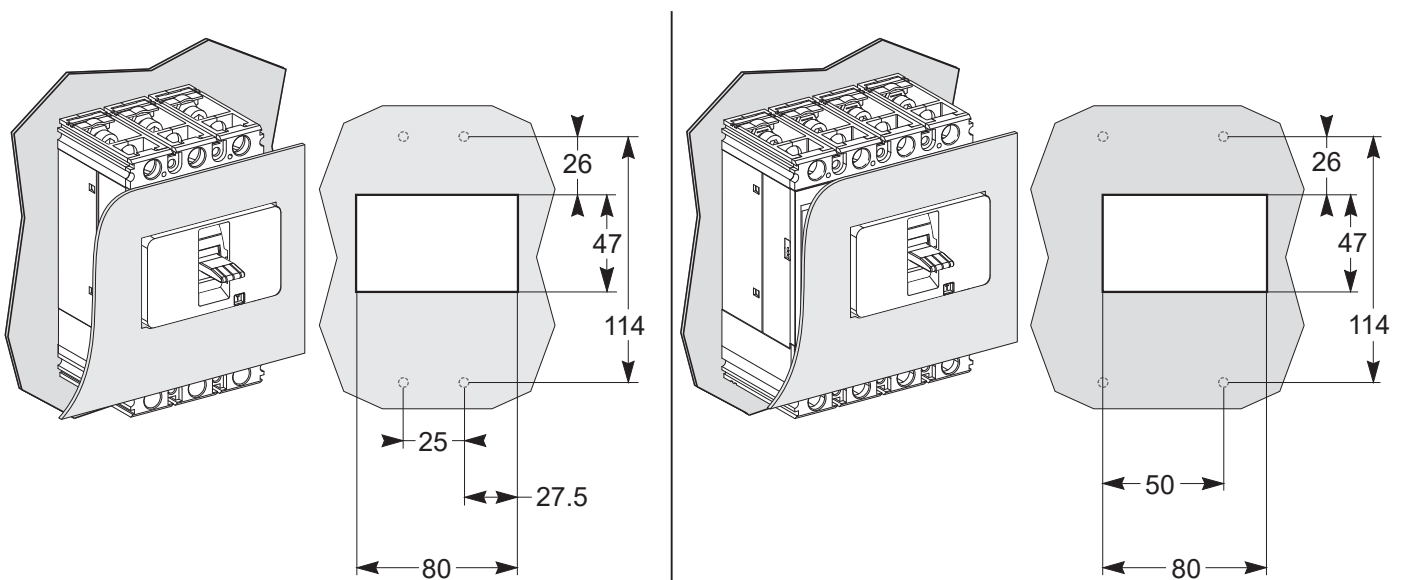
Mounting holes and Front-panel cutouts

Mounting holes



Front-panel cutouts

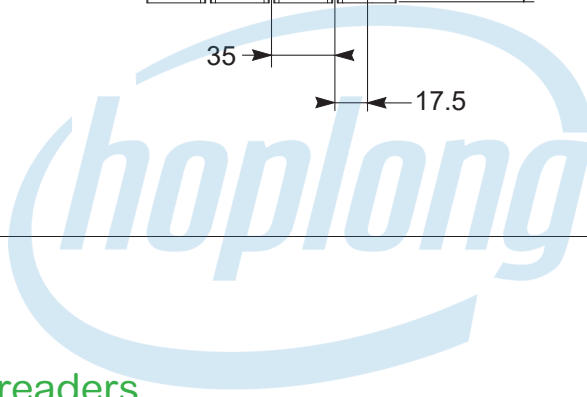
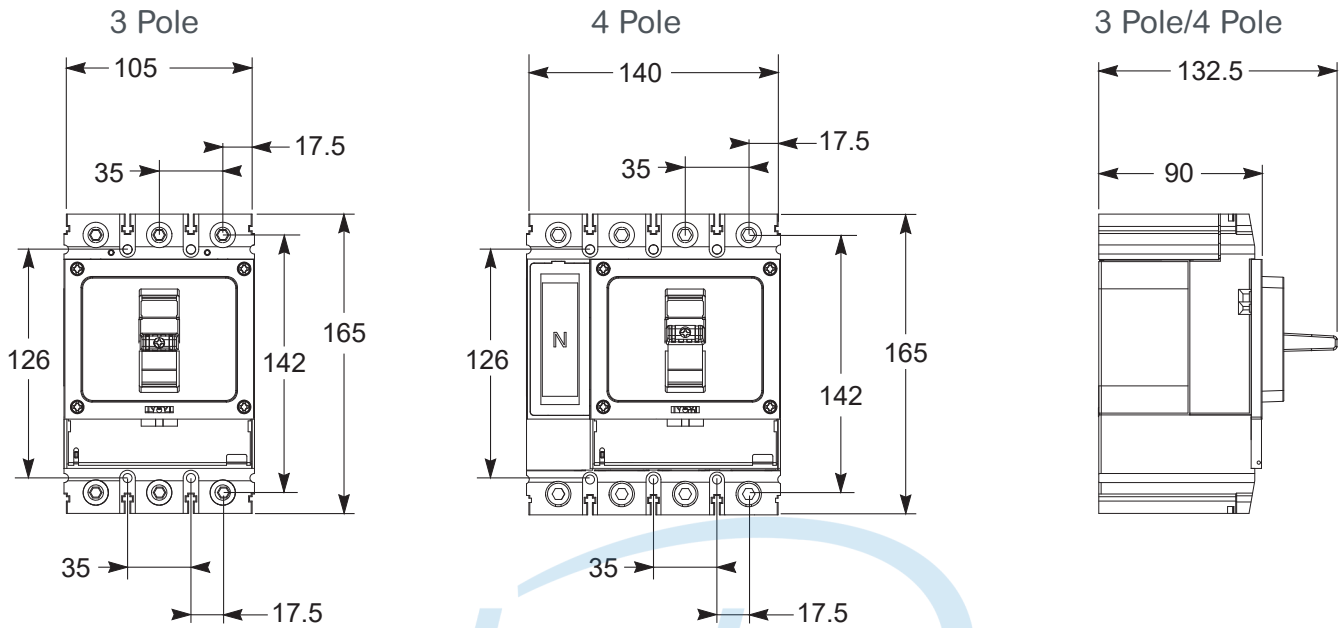
INDUSTRIAL AUTOMATION



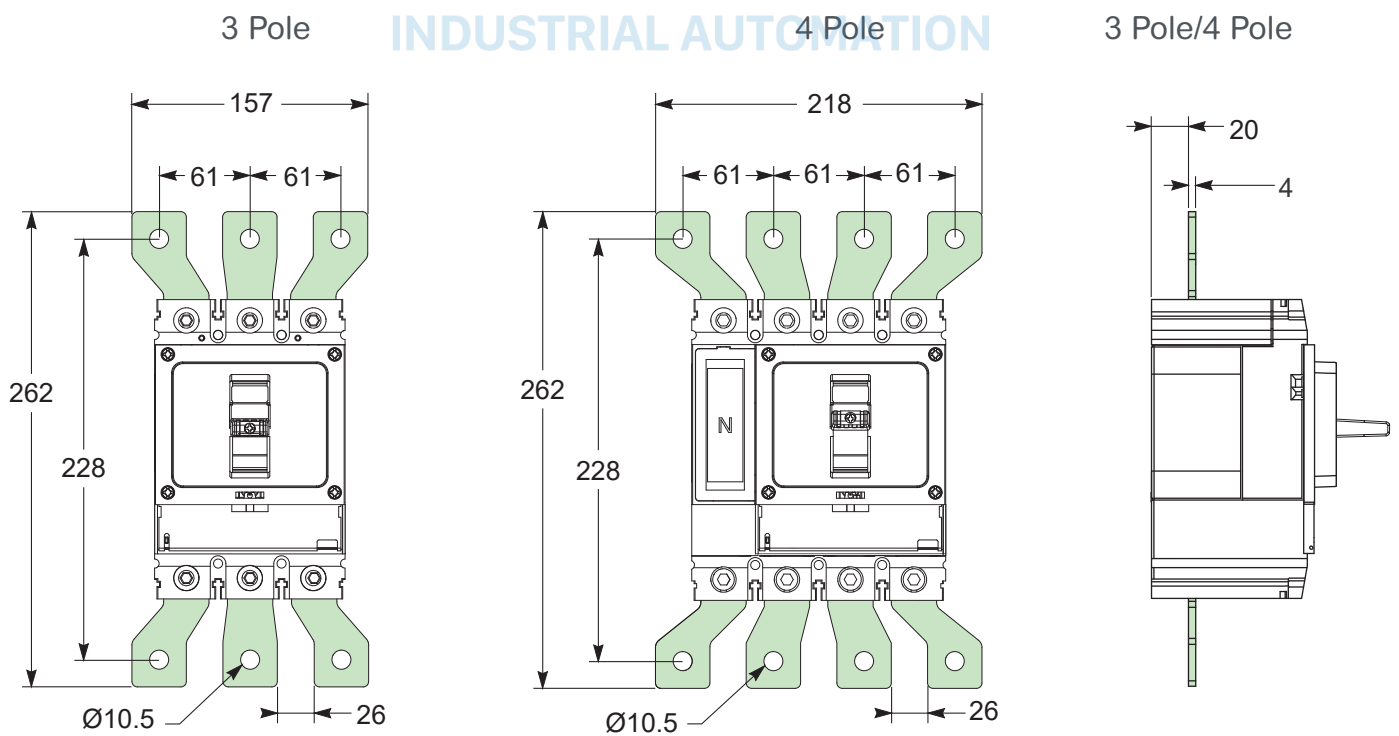
# GoPact MCCB 250

MCCB and Terminal extension spreaders

## MCCB



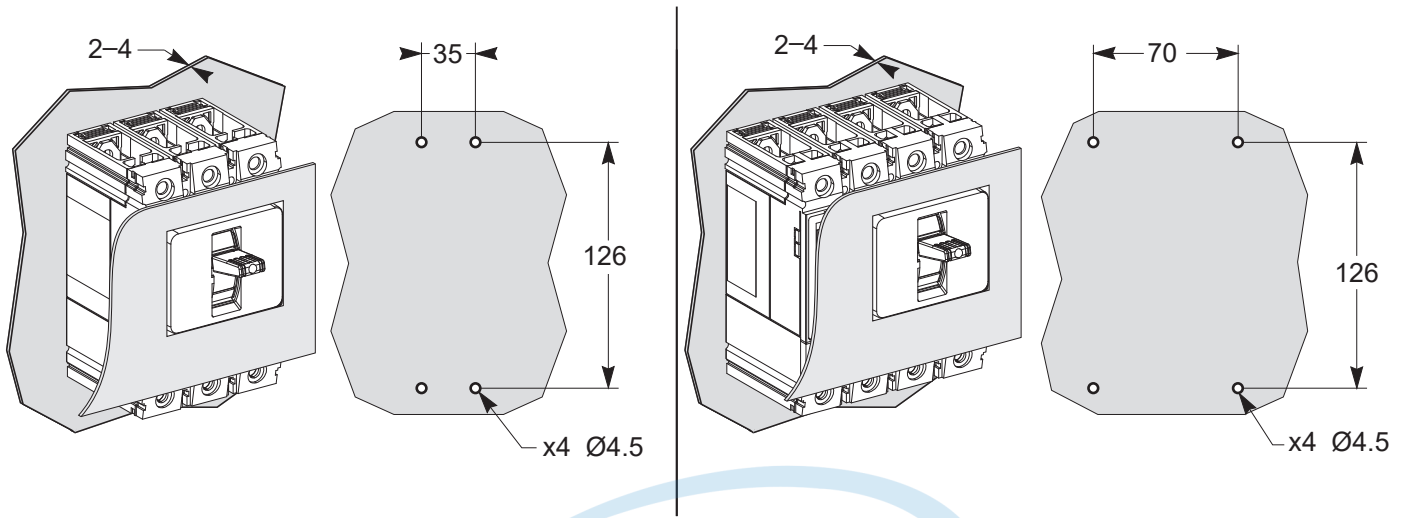
## Terminal extension spreaders





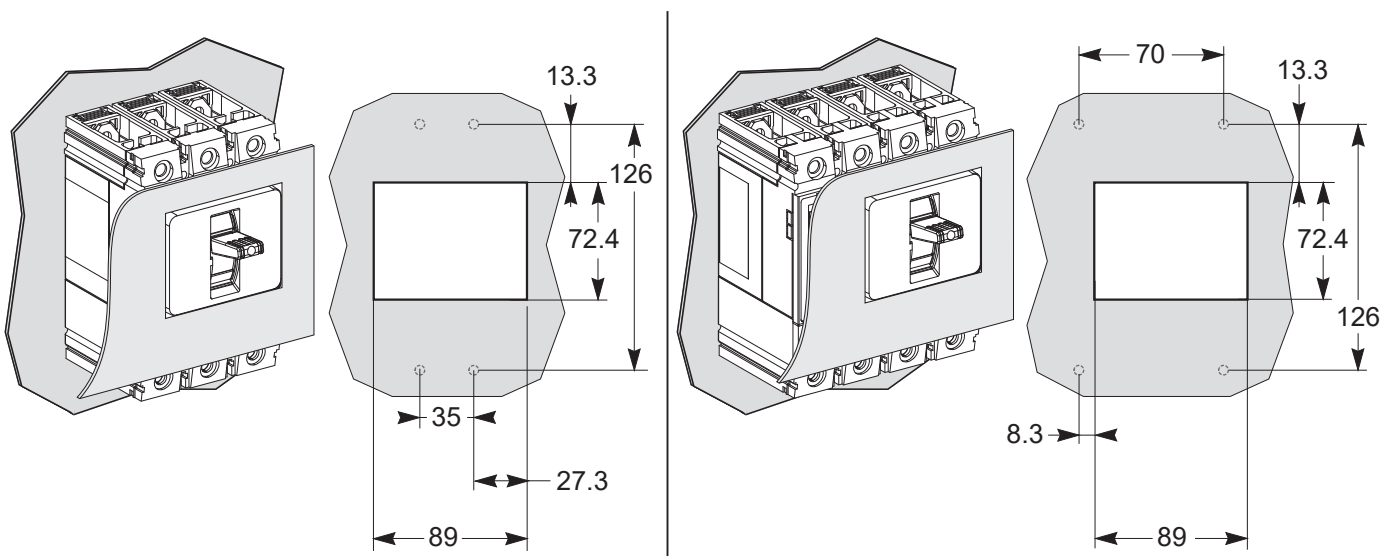
Mounting holes and Front-panel cutouts

Mounting holes



Front-panel cutouts

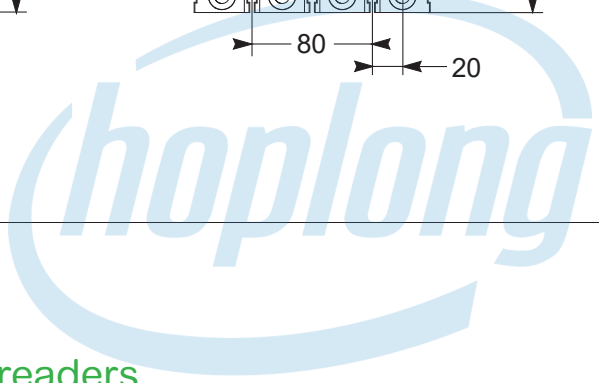
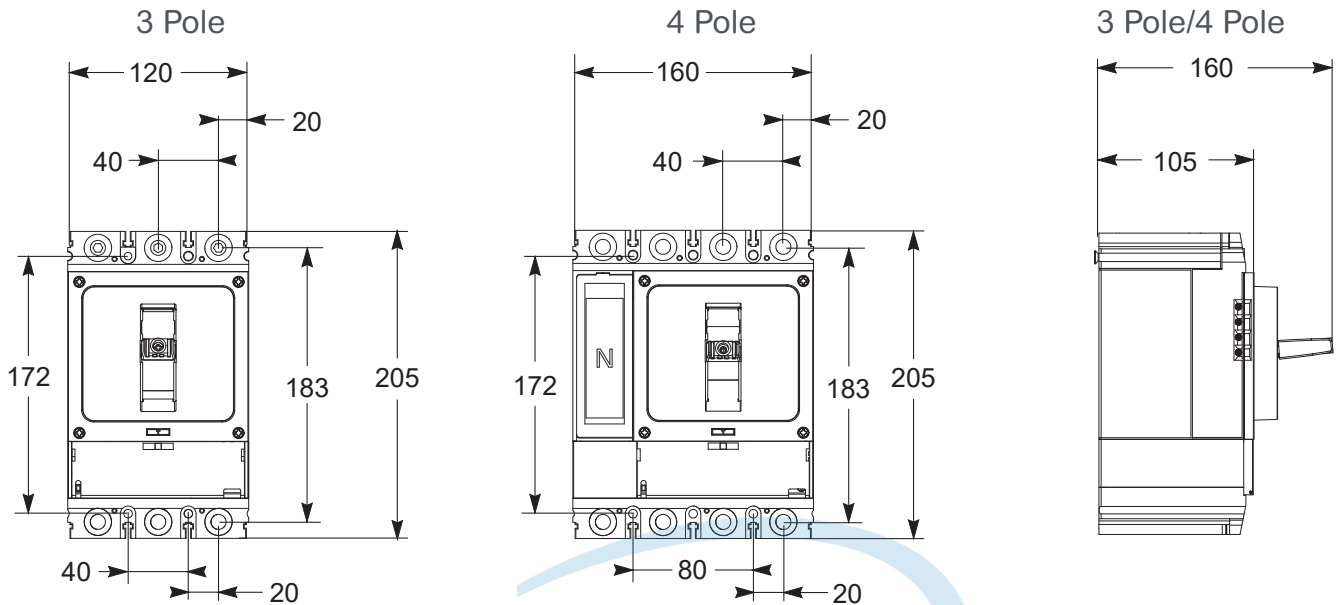
INDUSTRIAL AUTOMATION



# GoPact MCCB 400

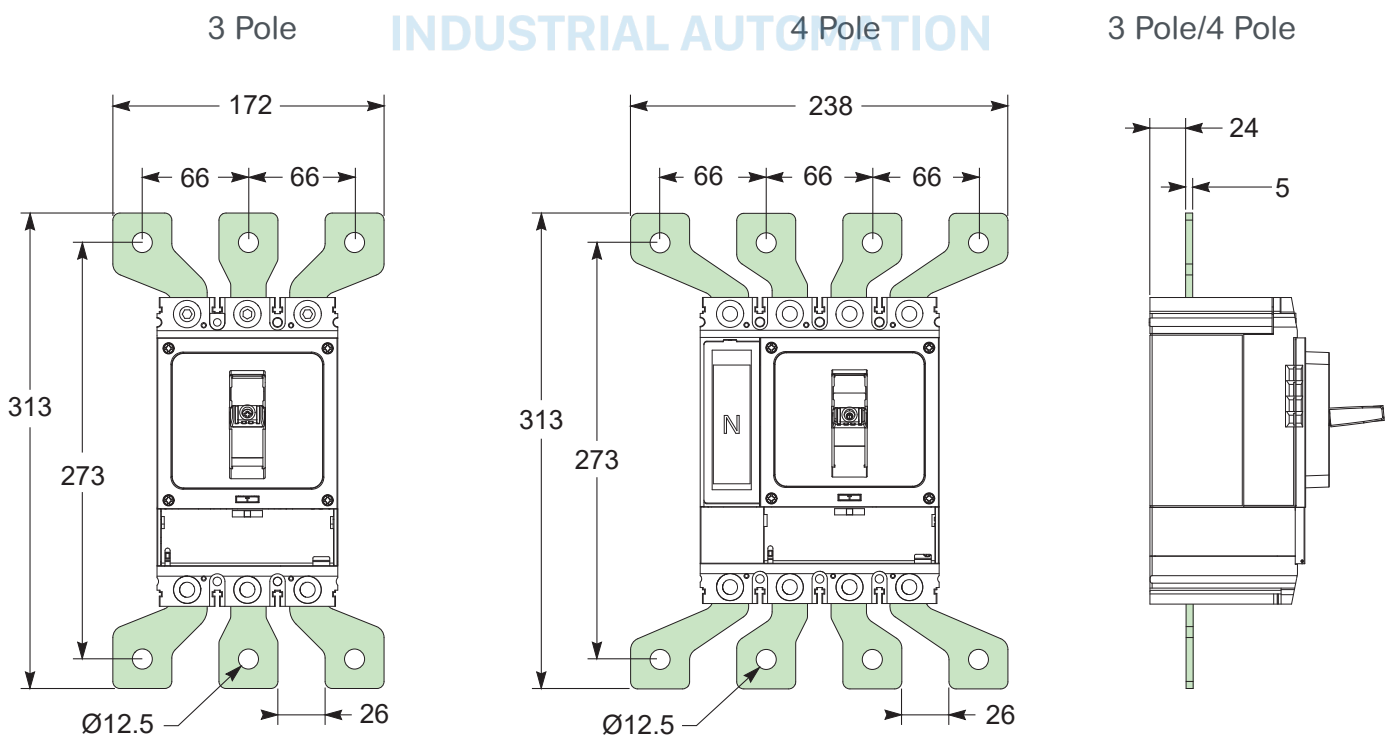
MCCB and Terminal extension spreaders

## MCCB



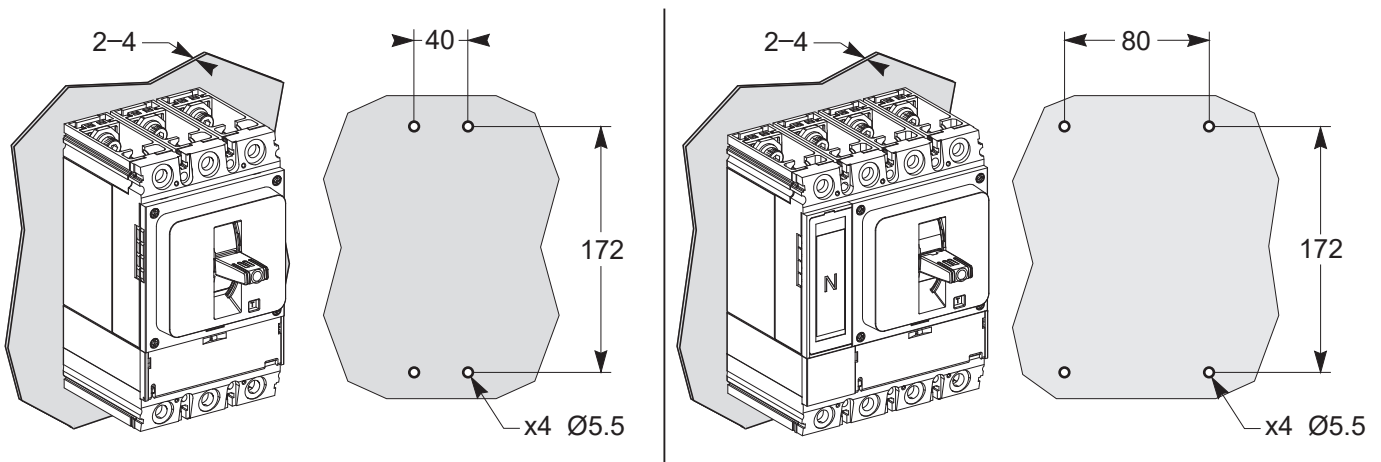
## Terminal extension spreaders

INDUSTRIAL AUTOMATION



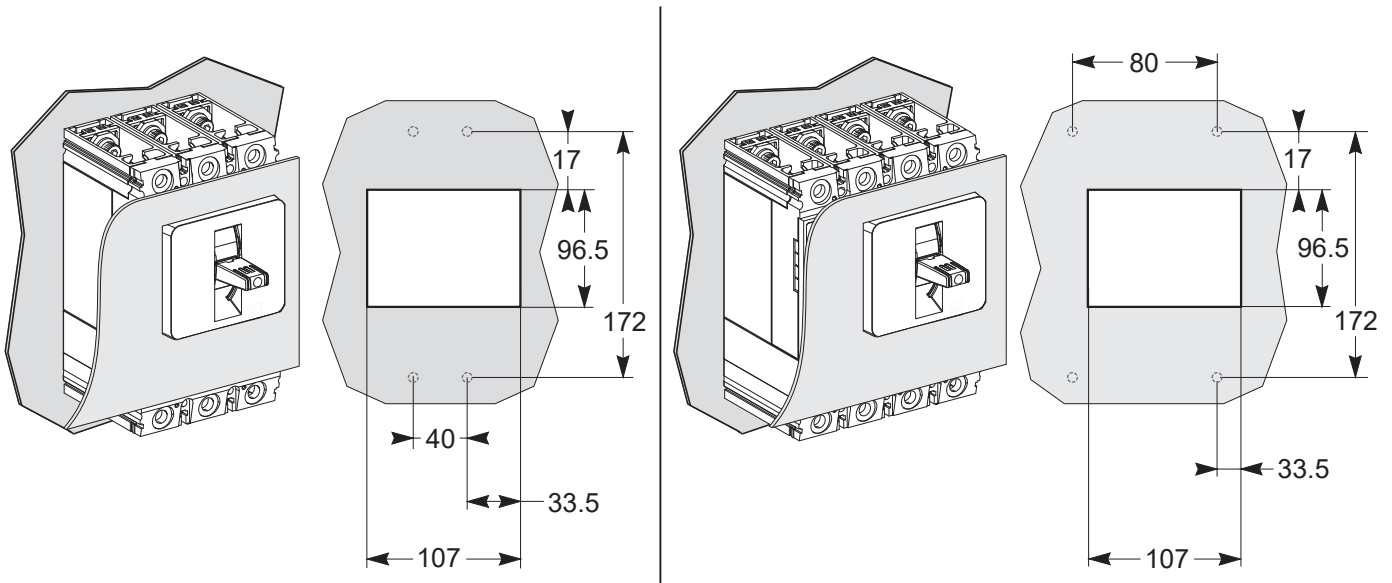
Mounting holes and Front-panel cutouts

Mounting holes



Front-panel cutouts

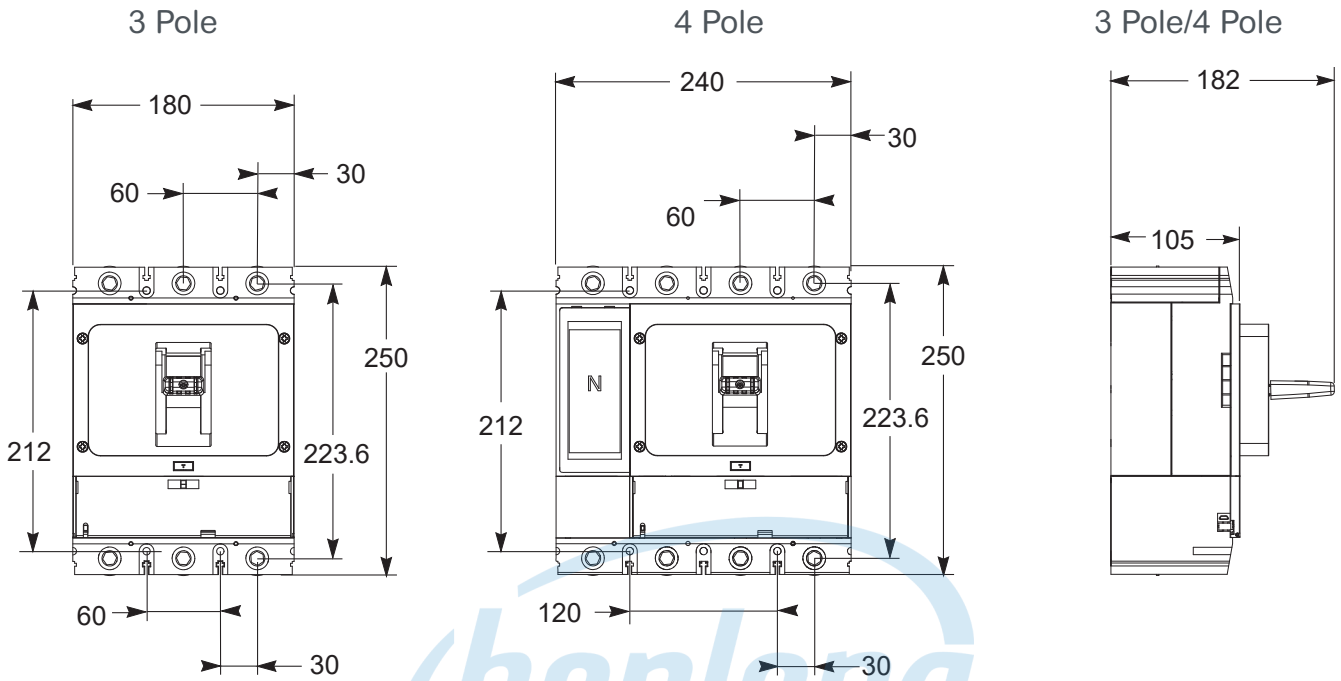
INDUSTRIAL AUTOMATION



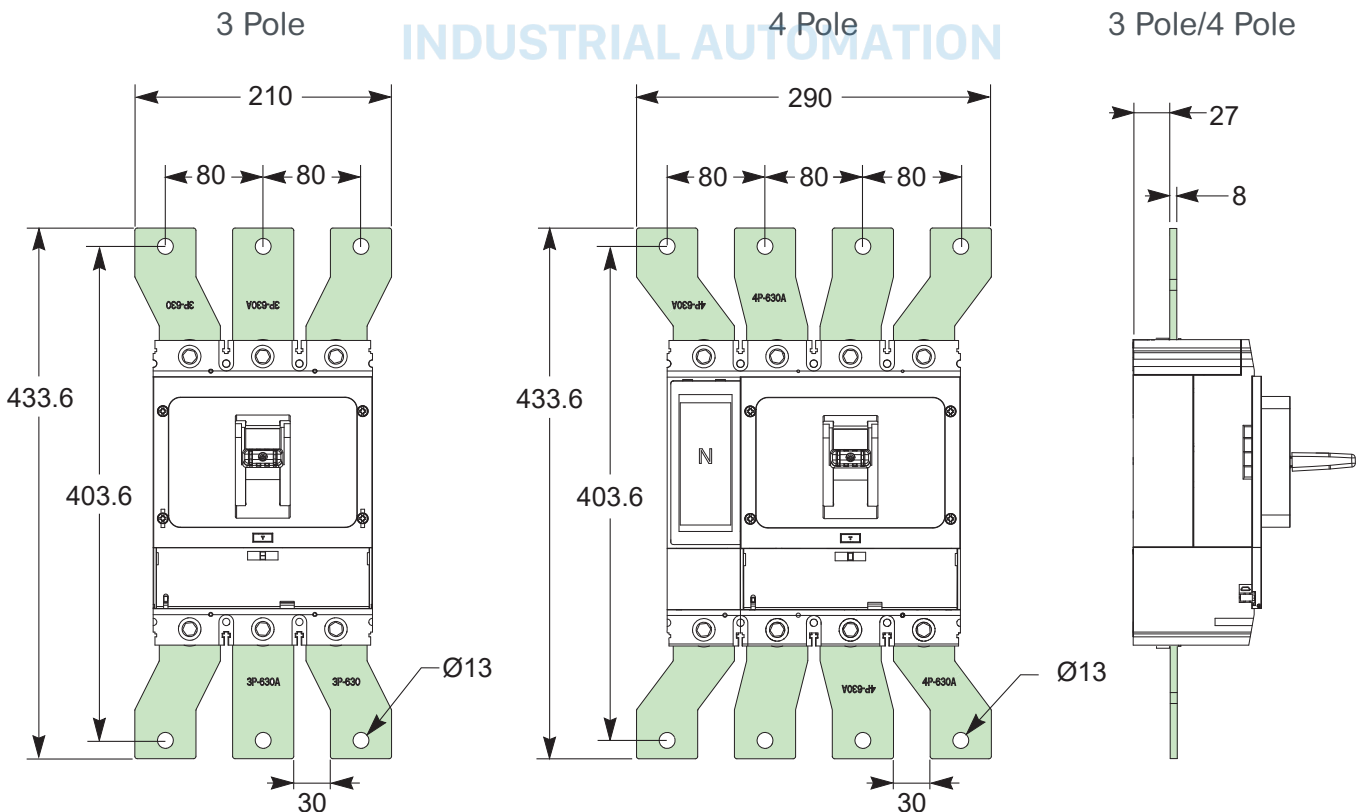
# GoPact MCCB 800

MCCB and Terminal extension spreaders

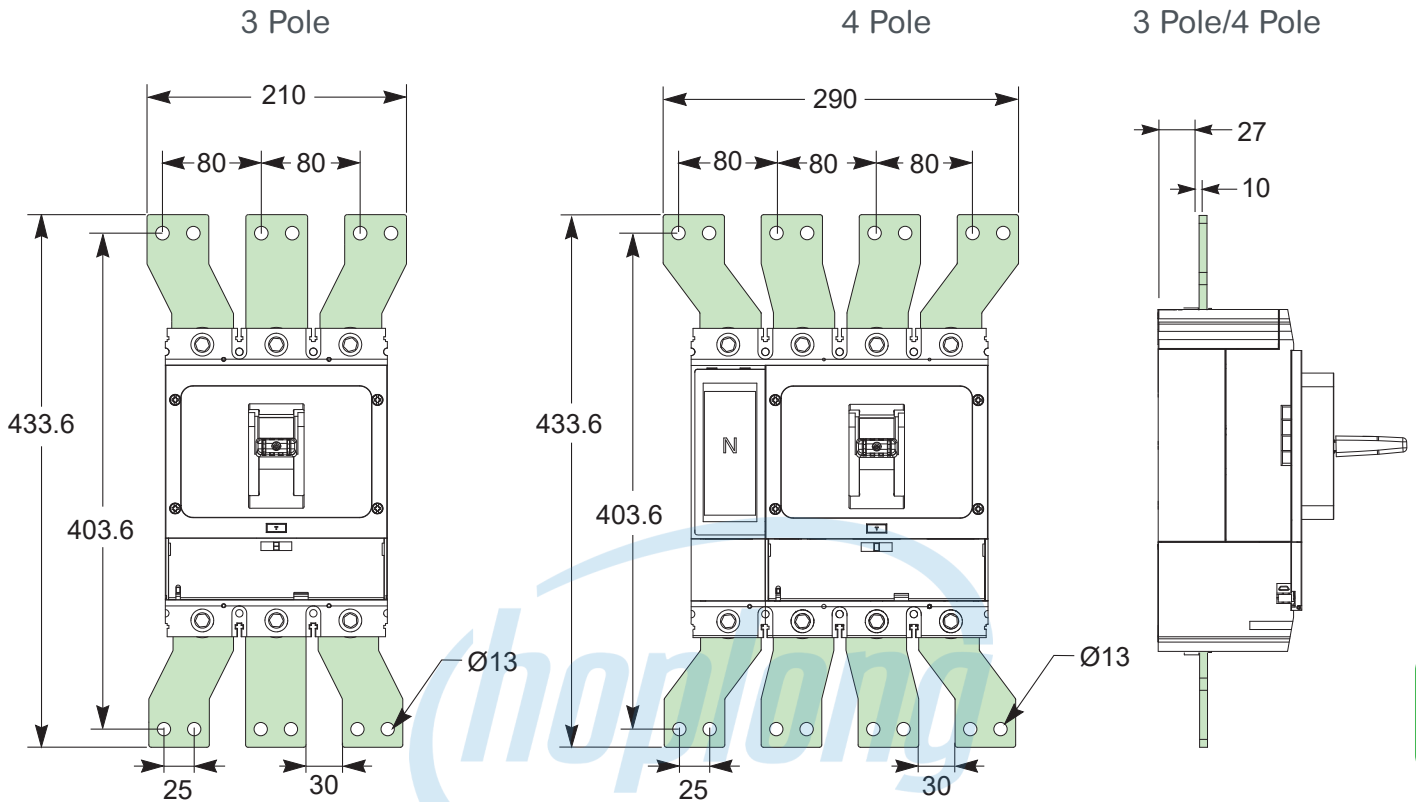
## MCCB



## Terminal extension spreaders (500 - 630 A)



Terminal extension spreaders (800 A)



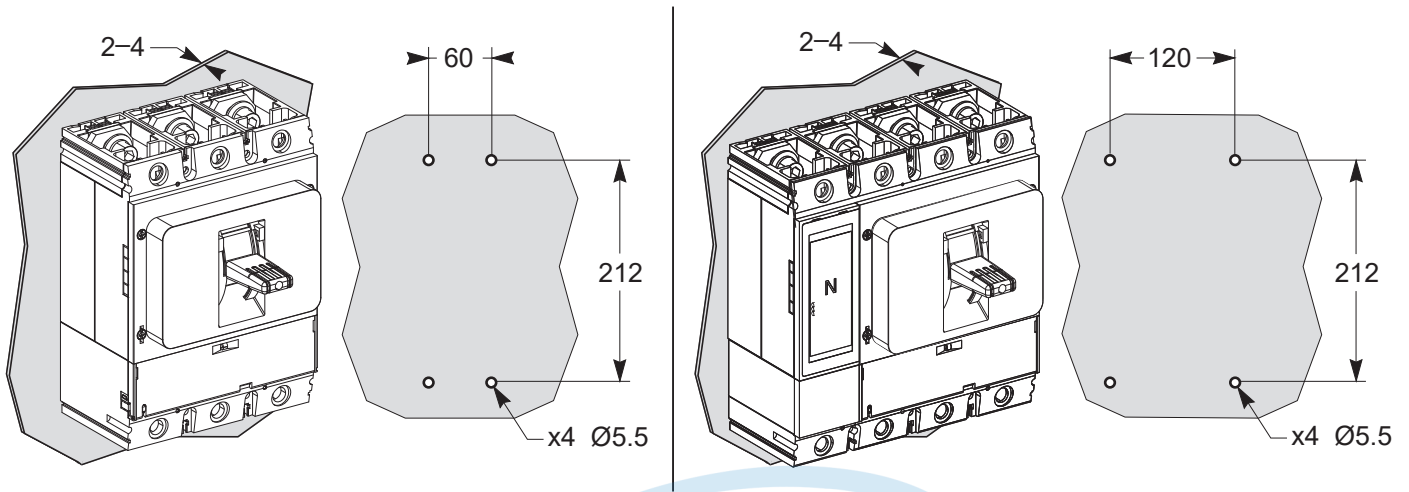
INDUSTRIAL AUTOMATION



# GoPact MCCB 800

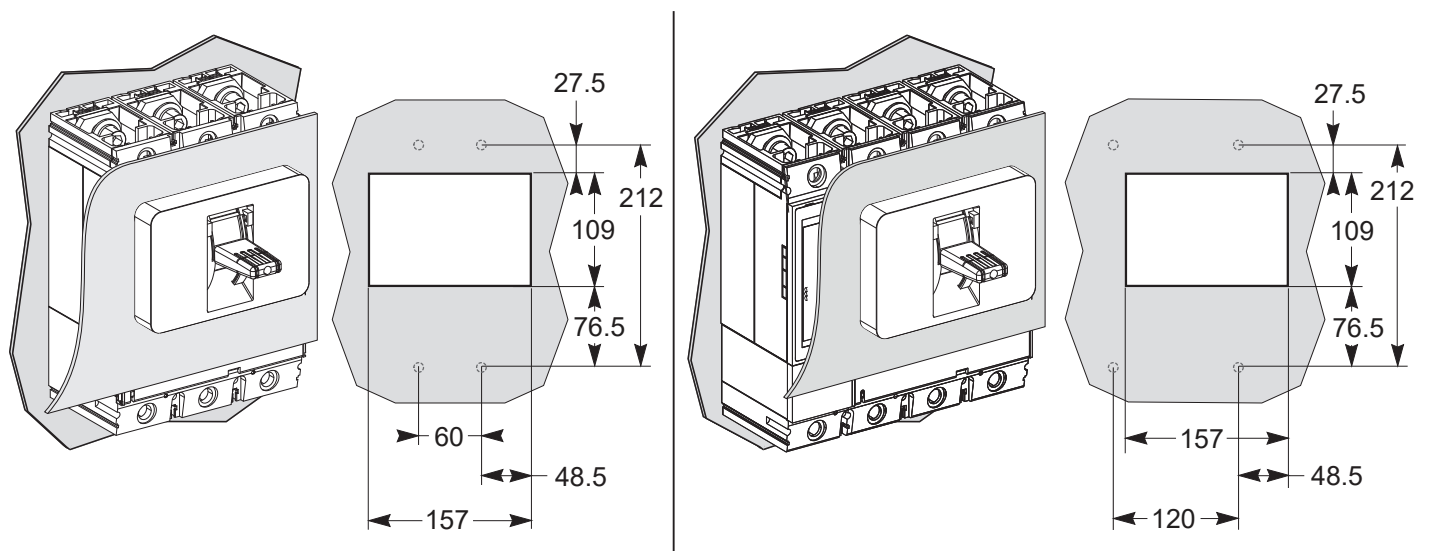
Mounting holes and Front-panel cutouts

## Mounting holes



## Front-panel cutouts

INDUSTRIAL AUTOMATION

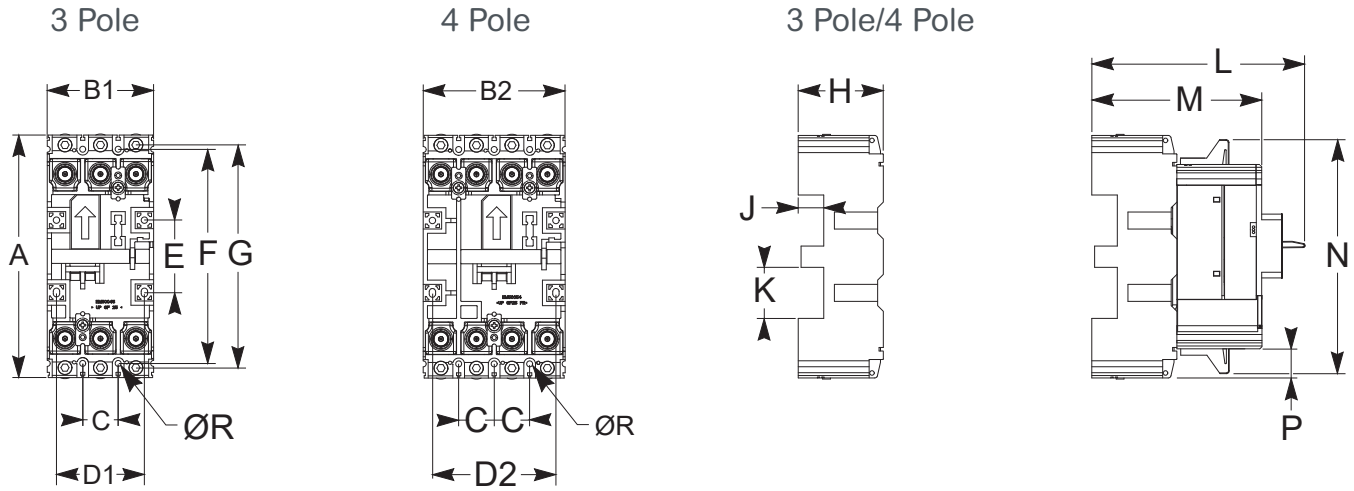


# CÔNG TY CỔ PHẦN CÔNG NGHỆ HỢP LONG Dimensions

## Plug-in base for GoPact MCCB 200, 250 and 400

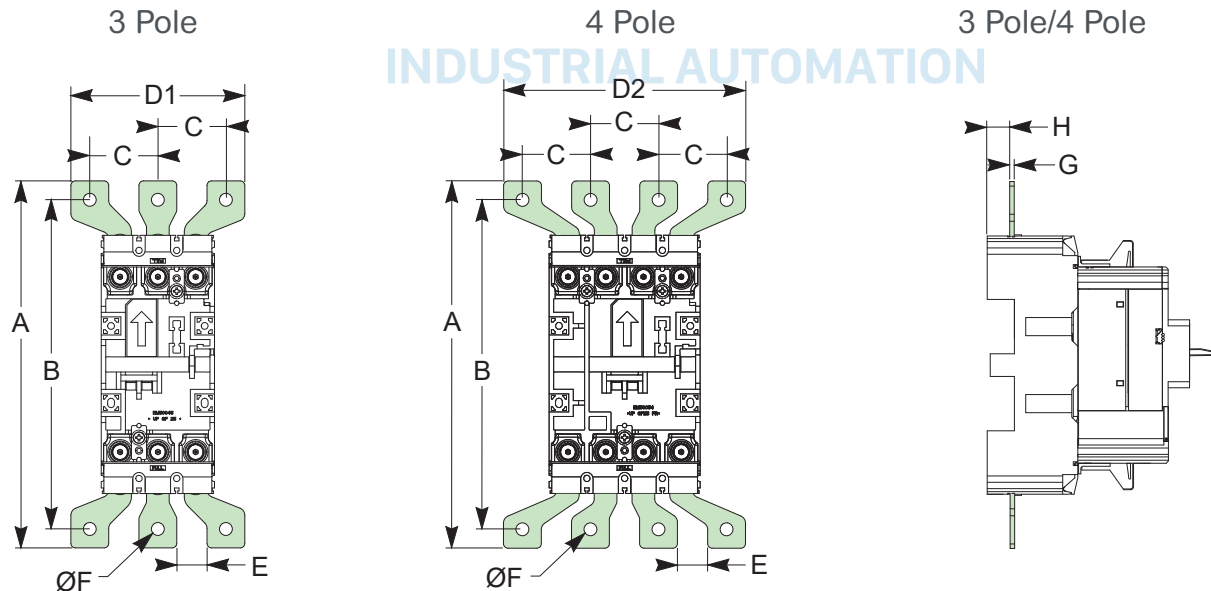
Plug-in base and Terminal extension spreaders

### Plug-in base



mm	A	B1	B2	C	D1	D2	E	F	G	H	J	K	L	M	N	P	R
GoPact MCCB 200	171	75	100	25	62	87	51	151	157	60	18	36	150	120	166	20.5	4
GoPact MCCB 250	220	105	140	35	87	122	51	181	197	70	20	36	202.5	160	201	27.5	4.5
GoPact MCCB 400	282	120	160	40	98	138	88	-	260	100	-	-	210	155	212	38.5	5.5

### Terminal extension spreaders



mm	A	B	C	D1	D2	E	F	G	H
GoPact MCCB 200	242.6	217.6	61	147	208	26	8.5	3 (160 A) 4 (200 A)	23
GoPact MCCB 250	317	287	61	157	218	26	12.5	5	20
GoPact MCCB 400	386	346	80	210	290	26	12.5	5	24

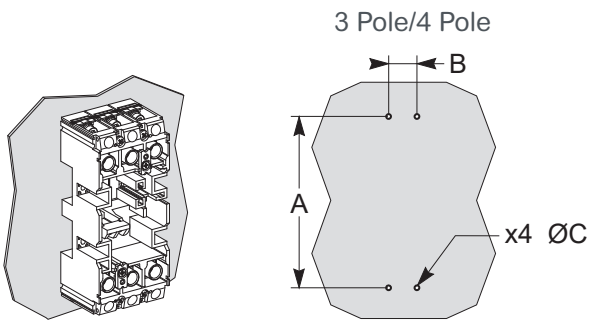
## Dimensions

CÔNG TY CỔ PHẦN CÔNG NGHỆ HỢP LONG

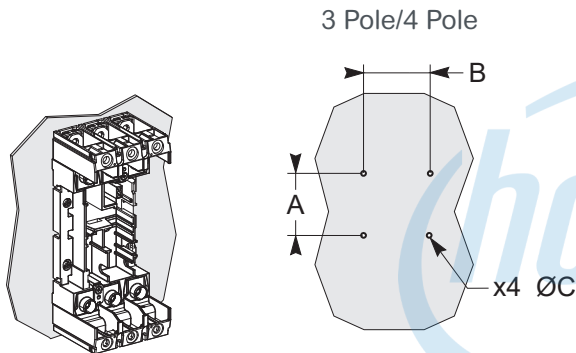
# Plug-in base for GoPact MCCB 200, 250 and 400

Mounting on Plate and Channel

## Mounting on Plate



mm	A	B		C
		3P	4P	
GoPact MCCB 200	151	25	50	4
GoPact MCCB 250	181	35	70	4.5

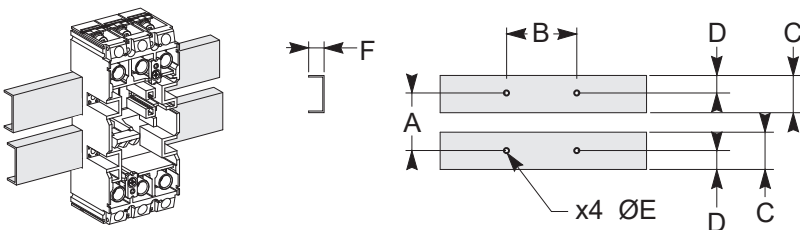


mm	A	B		C
		3P	4P	
GoPact MCCB 400	88	98	138	5.5

INDUSTRIAL AUTOMATION

## Mounting on Channel

3 Pole/4 Pole



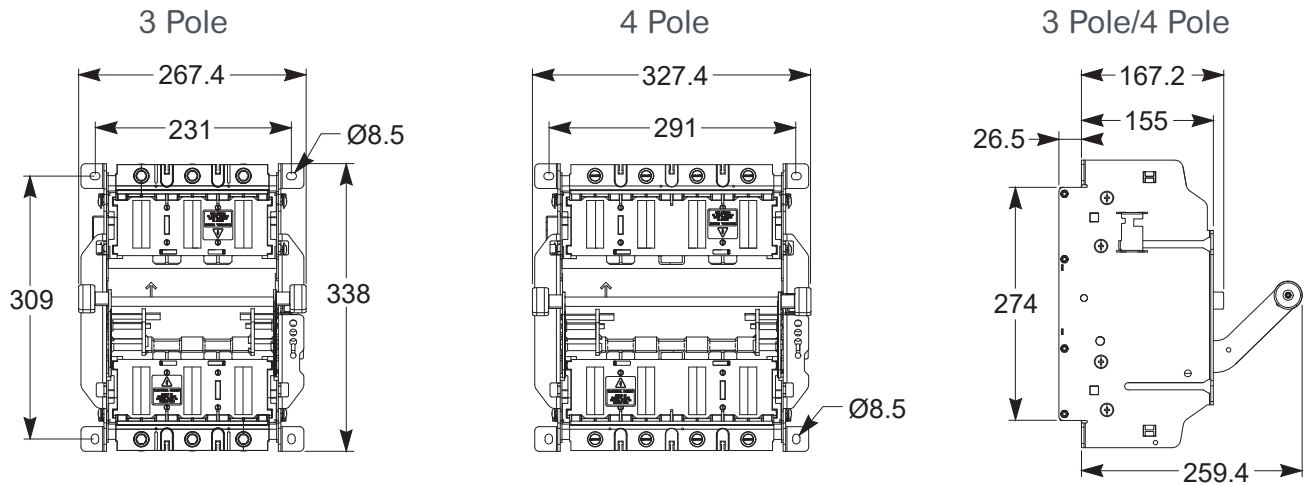
mm	A	B		C	D	E	F
		3P	4P				
GoPact MCCB 200	51	62	87	35	17.5	4.5	≤ 15
GoPact MCCB 250	51	87	122	35	17.5	4.5	≤ 15



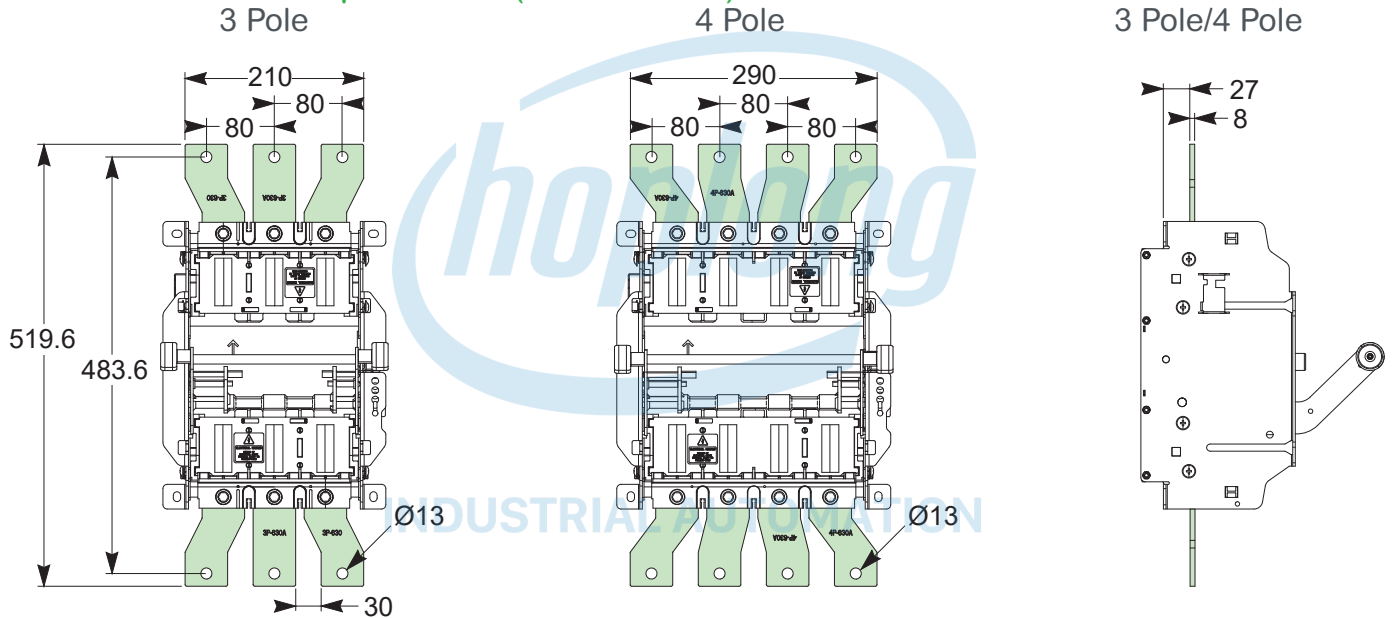
# CÔNG TY CỔ PHẦN CÔNG NGHỆ HỢP LONG Dimensions **Plug-in base for GoPact MCCB 800**

## Plug-in base and Terminal extension spreaders

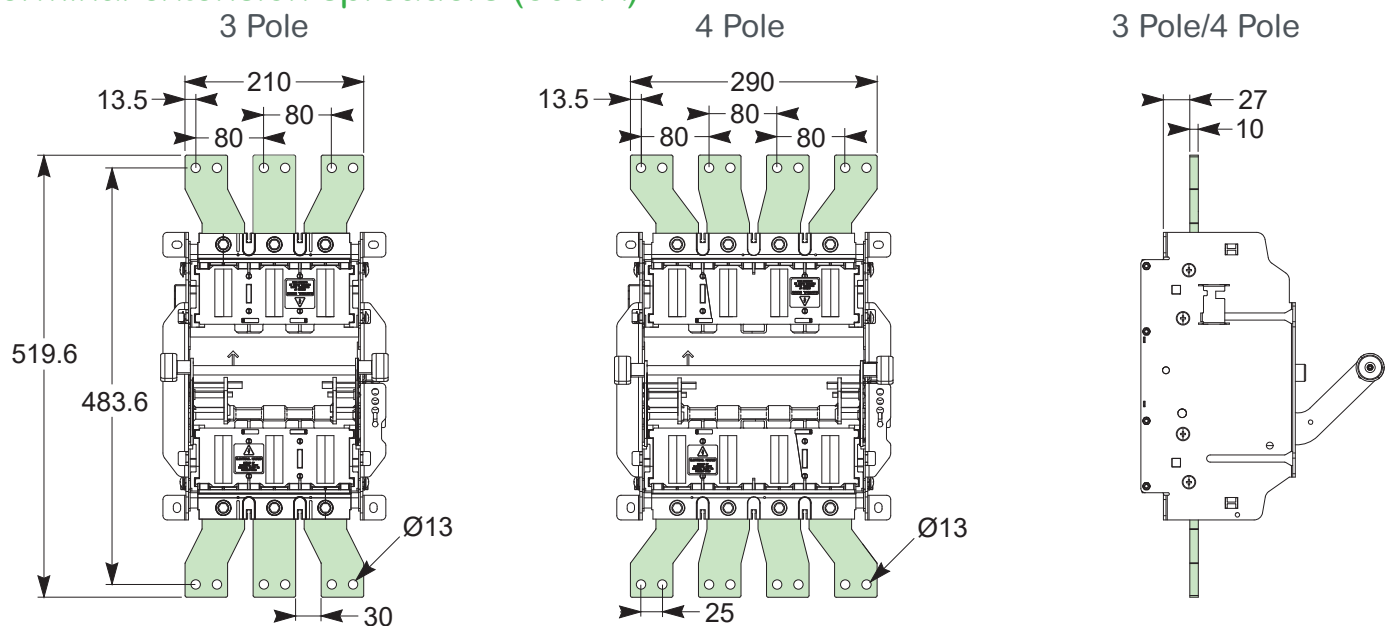
### Plug-in base



### Terminal extension spreaders (500 - 630 A)



### Terminal extension spreaders (800 A)



## Dimensions

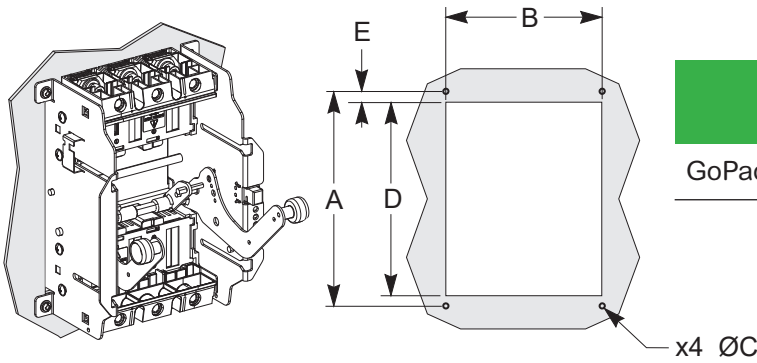
CÔNG TY CỔ PHẦN CÔNG NGHỆ HỢP LONG

# Plug-in base GoPact MCCB 800

Mounting on plate and Plug-in base positions

## Mounting on Plate

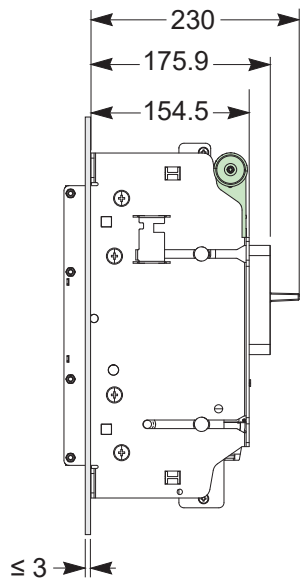
3 Pole/4 Pole



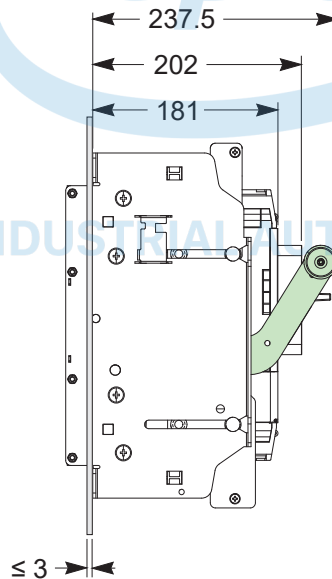
mm	A	B		C	D	E
		3P	4P			
GoPact MCCB 800	309	231	291	10	276	16.5

## Plug-in base positions

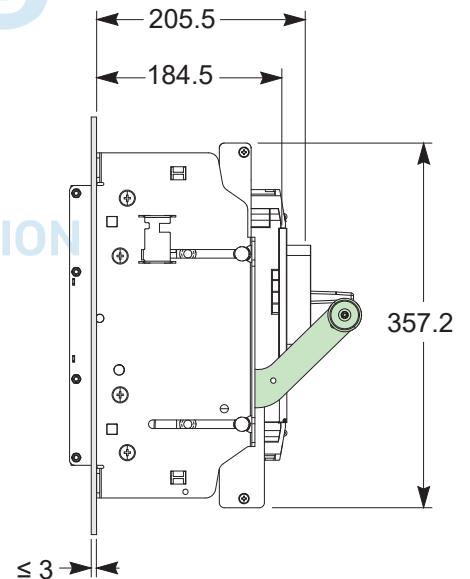
3 Pole/4 Pole



CONNECTED POSITION



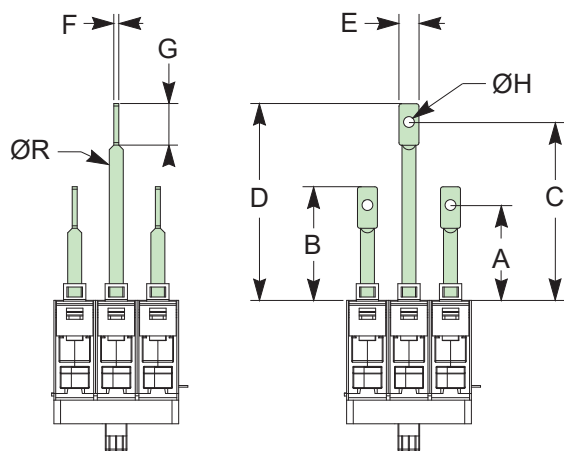
DISCONNECTED POSITION



TAKE-AWAY POSITION

GoPact MCCB and Plug-in base

3 Pole/4 Pole



mm	A	B	C	D	E	F	G	R	H
GoPact MCCB 200	57.3	68.3	107.3	118.3	12	3	25	9.5	6.5
GoPact MCCB 250	44.6	55.6	94.6	105.6	18	6	25	13	9
GoPact MCCB 400	56	76	106	126	20	6	45	18	11
GoPact MCCB 800	64	89	114	139	30	10	55	22	12.5

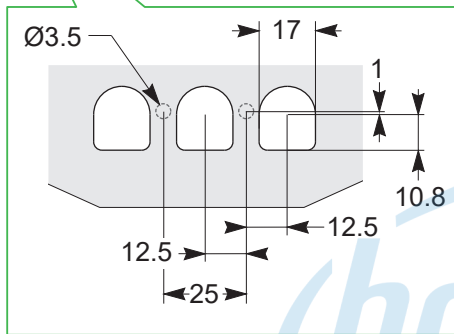
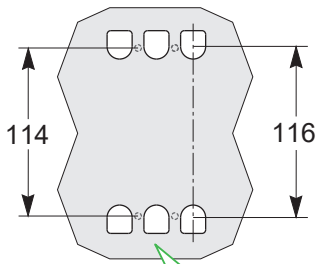
INDUSTRIAL AUTOMATION

# Rear connectors

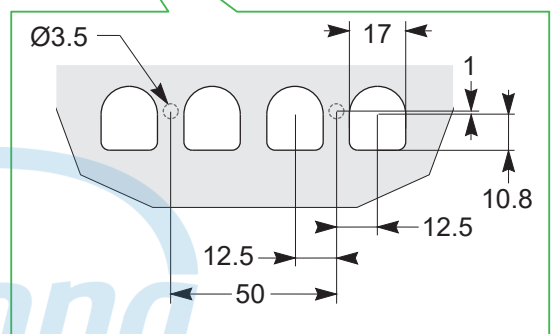
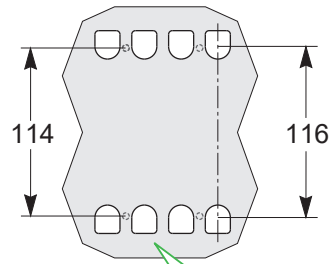
Mounting plate cutouts

## GoPact MCCB 200

3 Pole

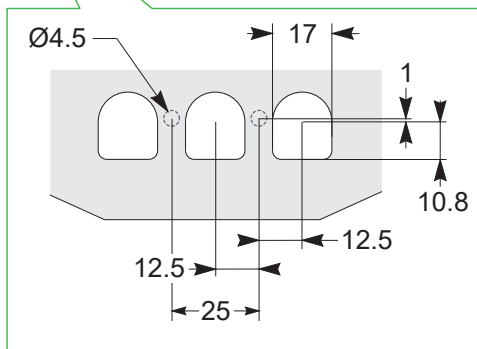
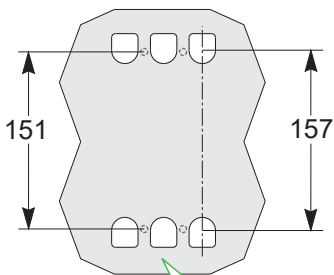


4 Pole

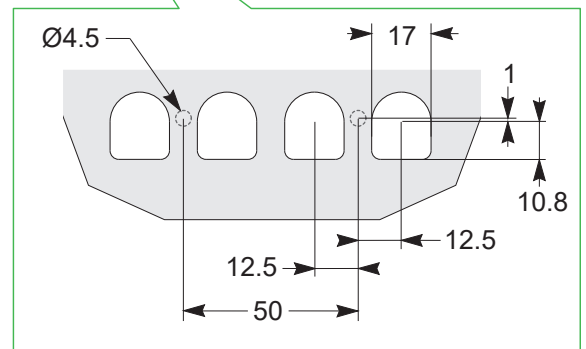
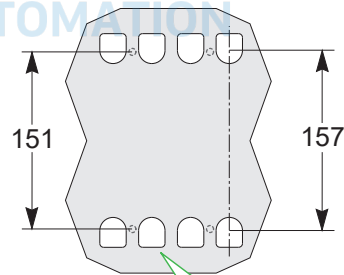


## GoPact MCCB 200 Plug-in base

3 Pole

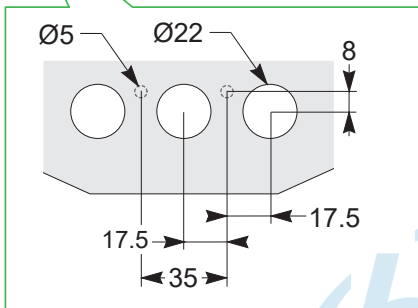
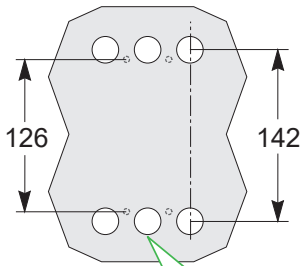


4 Pole

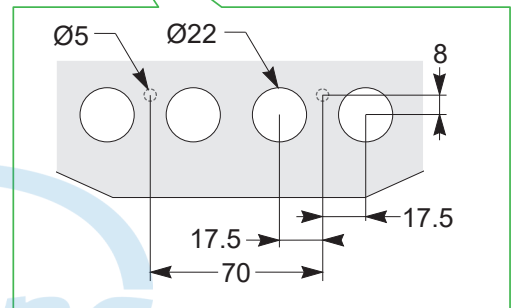
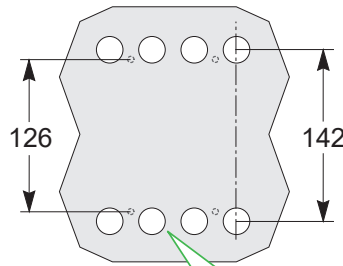


**GoPact MCCB 250**

3 Pole

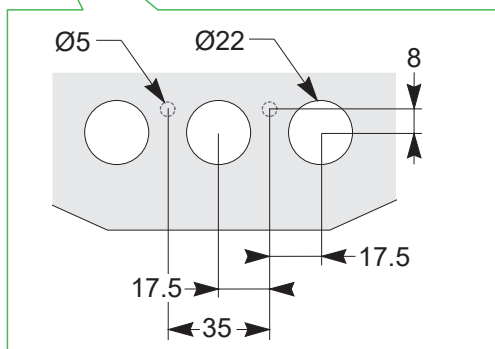
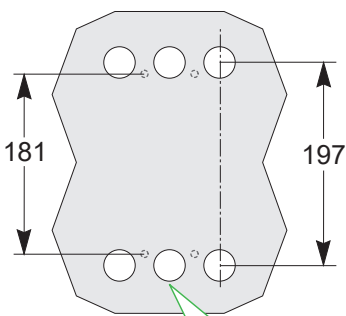


4 Pole

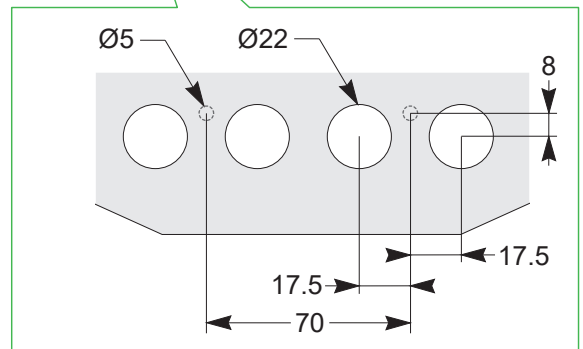
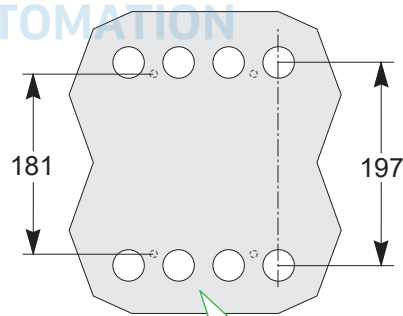


**GoPact MCCB 250 Plug-in base**

3 Pole



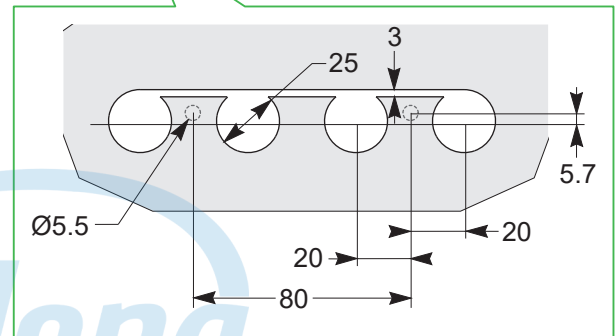
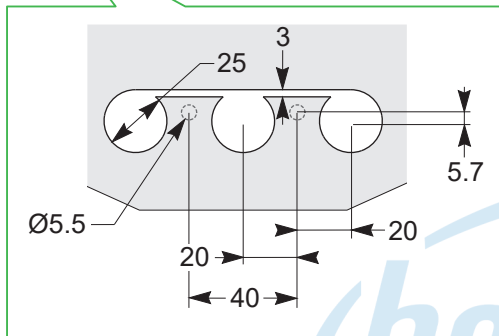
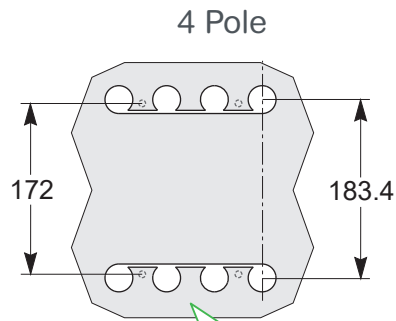
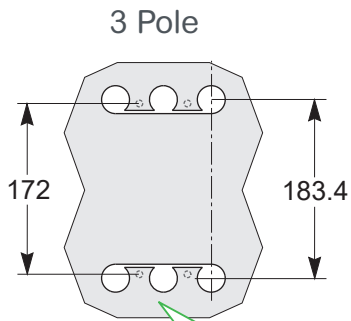
4 Pole



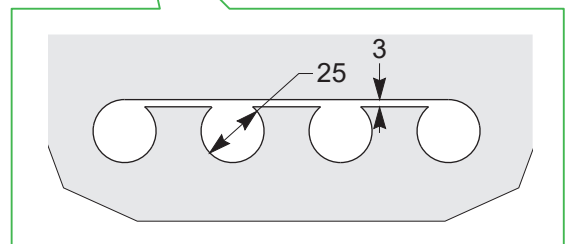
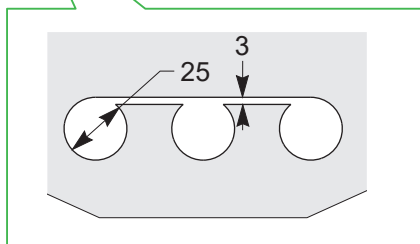
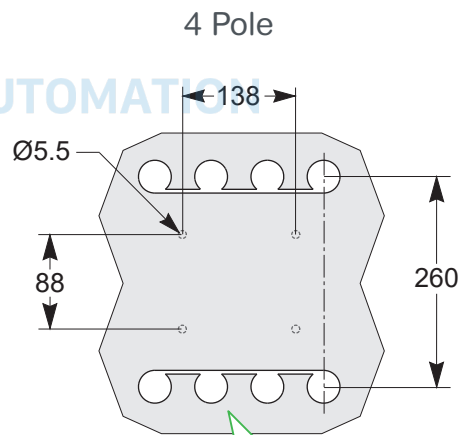
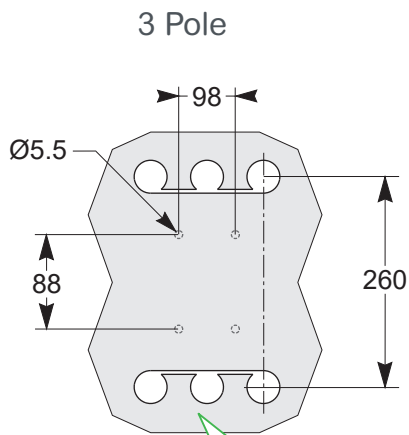
# Rear connectors

Mounting plate cutouts

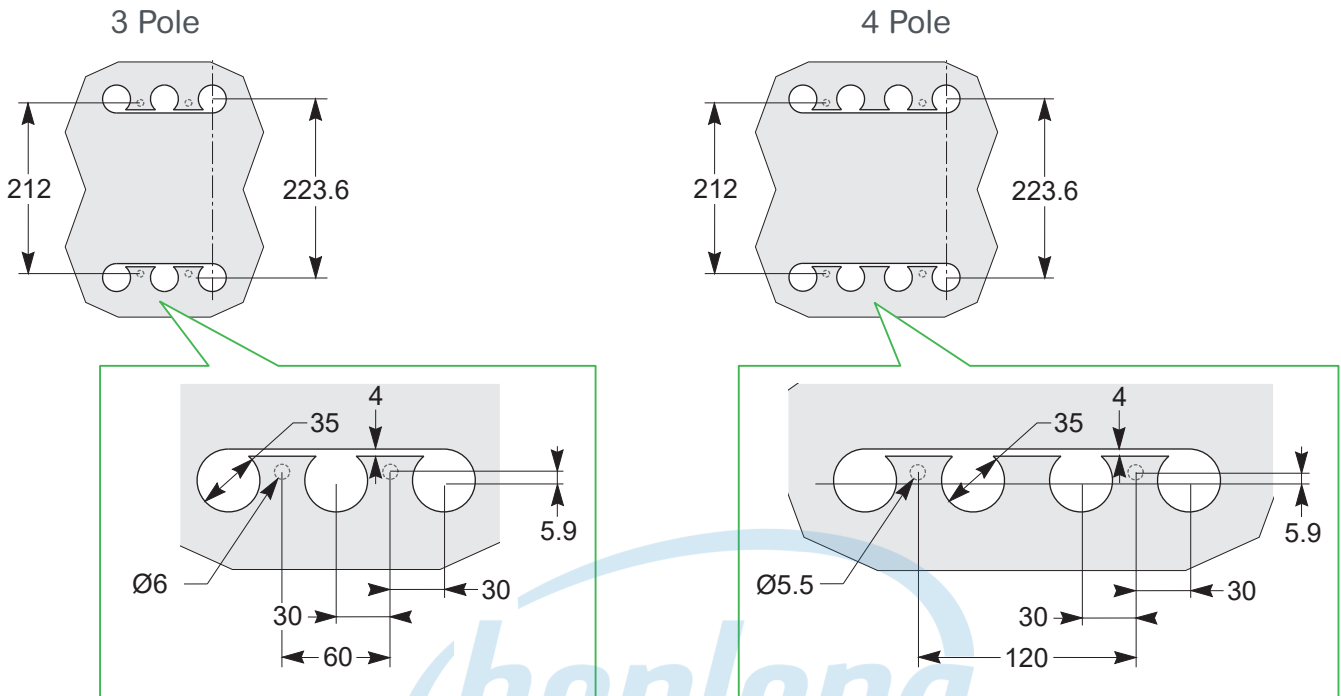
## GoPact MCCB 400



## GoPact MCCB 400 Plug-in base

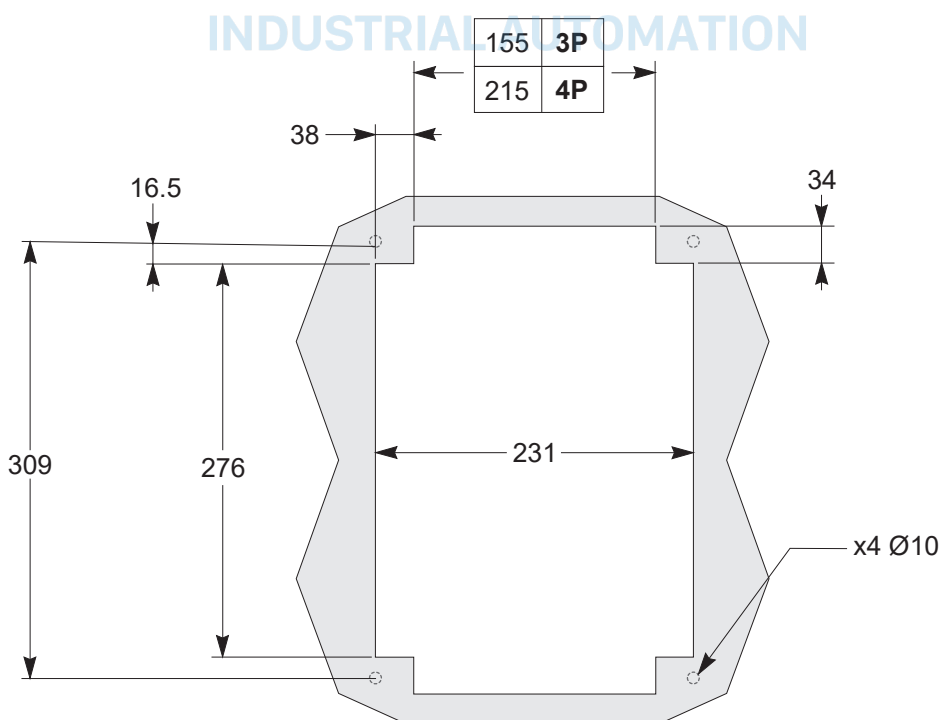


GoPact MCCB 800



GoPact MCCB 800 Plug-in base

3 Pole/4 Pole



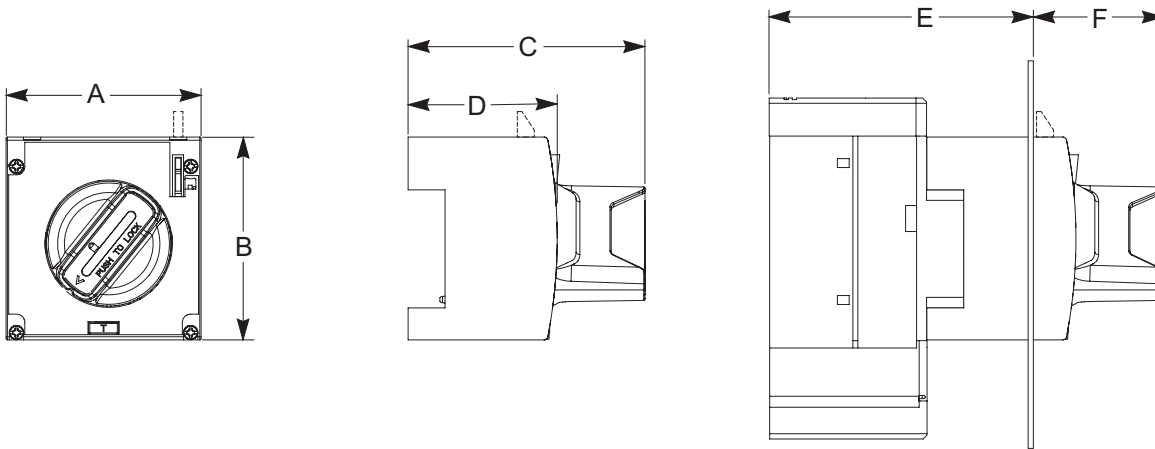
D

# Dimensions **CÔNG TY CỔ PHẦN CÔNG NGHỆ HỢP LONG** Direct Rotary Handle

Dimensions and Front-panel cutouts

## Direct rotary handle

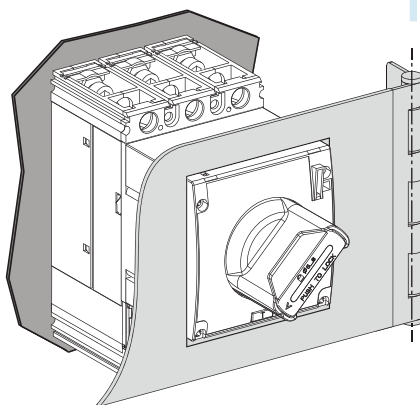
3 Pole/4 Pole



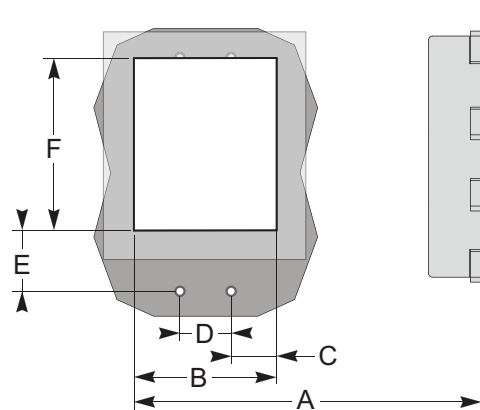
mm	GoPact MCCB 125	GoPact MCCB 200	GoPact MCCB 250	GoPact MCCB 400	GoPact MCCB 800
A	74.50	75	105	120	180
B	78	78	88	113.2	140
C	84.80	92.3	105.7	116.5	129.5
D	51.30	58.4	65.8	75.38	77.2
E	75.3	86.3	117.5	140.3	134.7
F	68	64.8	76.4	80	98.3

## Front-panel cutouts

3 Pole/4 Pole



INDUSTRIAL AUTOMATION

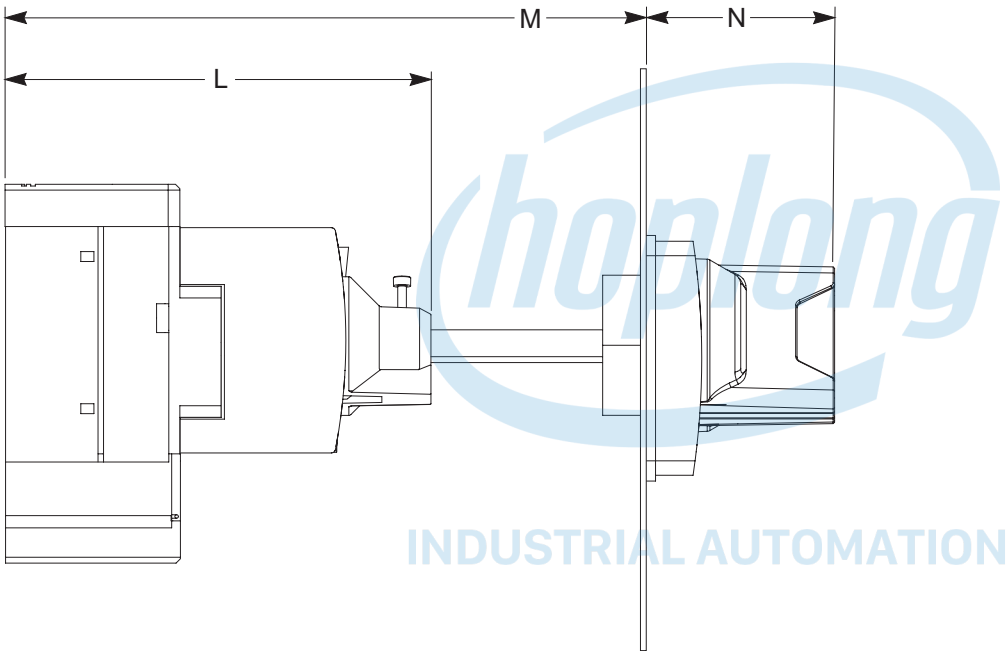
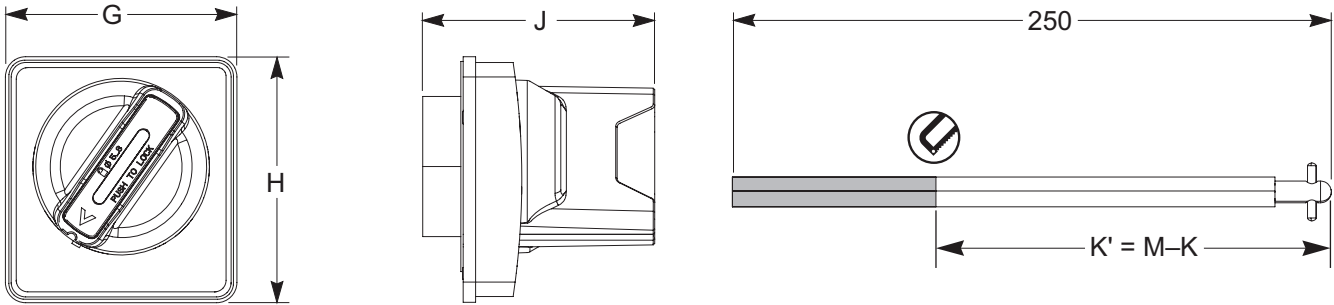


mm	GoPact MCCB 125	GoPact MCCB 200	GoPact MCCB 250	GoPact MCCB 400	GoPact MCCB 800
A	194.5	195	210	218.5	235
B	89	90	120	137	170
C	32	32.5	42.5	48.5	55
D	25	25	25	40	60
E	5.7	24.5	27.5	43.3	59
F	88	88	98	123.3	144



Extended rotary handle

3 Pole/4 Pole



D

mm	GoPact MCCB 125	GoPact MCCB 200	GoPact MCCB 250	GoPact MCCB 400	GoPact MCCB 800
G	80	80	80	80	80
H	85	85	85	85	85
J	80.3	80.3	80.3	80.3	80.3
K	96	102.5	114.5	160.5	170.5
L	139.6	147.5	179.7	205.5	217.7
M (Minimum)	154.1	162	194.2	220	232.2
N	67	67	67	67	67

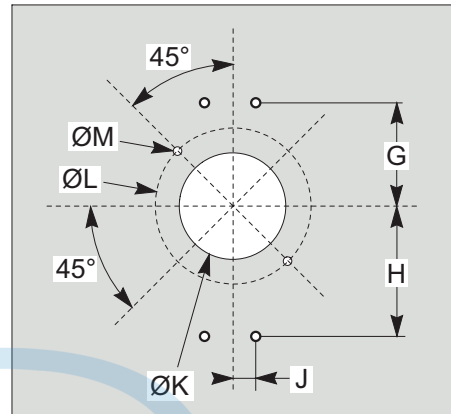
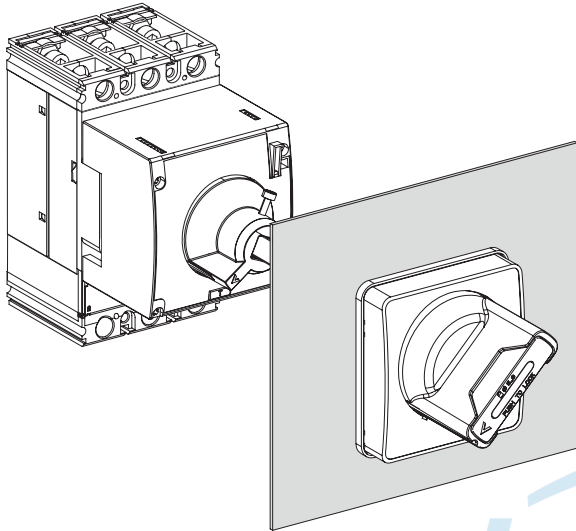
# Dimensions **CÔNG TY CỔ PHẦN CÔNG NGHỆ HỢP LONG**

## Extended Rotary Handle

Front-panel cutouts

Front-panel cutouts

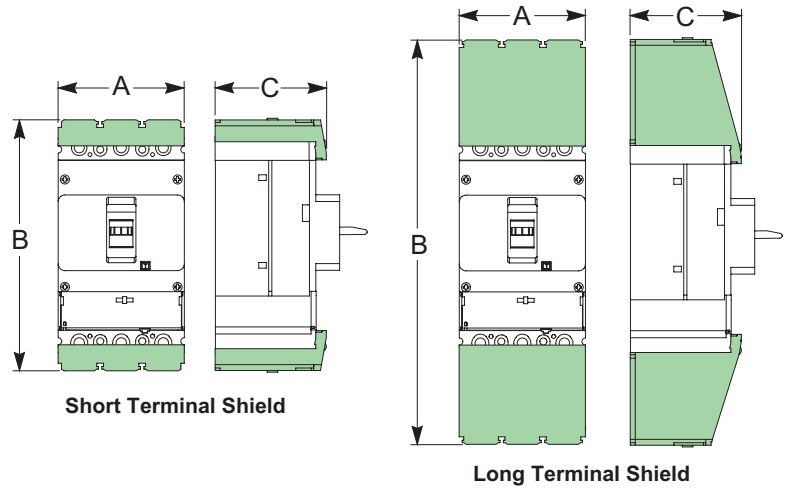
3 Pole/4 Pole



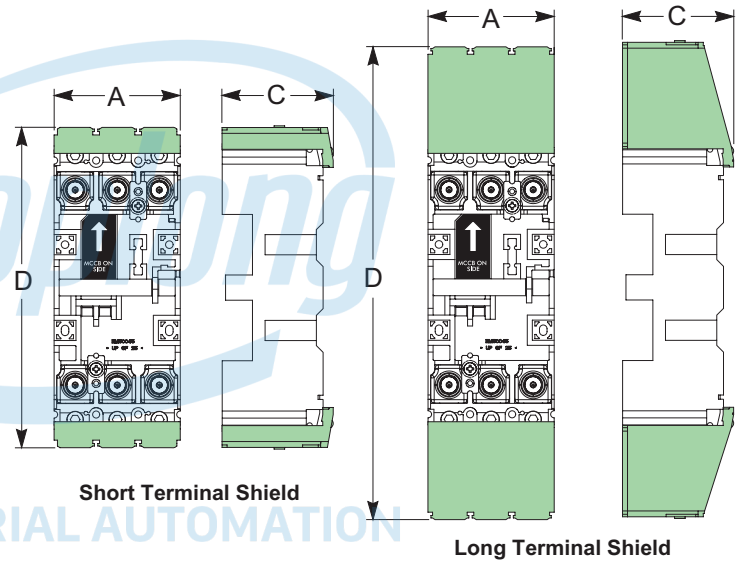
mm	GoPact MCCB 125	GoPact MCCB 200	GoPact MCCB 250	GoPact MCCB 400	GoPact MCCB 800
G	60.50	47.5	46.5	67	81
H	51.50	66.5	79.5	105	131.2
J	10.50 ( <b>3P</b> )   9.50 ( <b>4P</b> )	10.50	17.5	19	30
ØK	51	51	51	51	51
ØL	76	76	76	76	76
ØM	4.5	4.5	4.5	4.5	4.5

CÔNG TY CỔ PHẦN CÔNG NGHỆ HỢP LONG Dimensions  
**Short and Long Terminal Shield**  
 GoPact MCCB and Plug-in Base

GoPact MCCB



Plug-in base



D

mm	Configuration	Pole	A	B	C	D
GoPact MCCB 125	Short Terminal Shield	3P	76.6	150.8	63.7	-
		4P	101.6	150.8	63.7	-
	Long Terminal Shield	3P	76.6	235	63.7	-
		4P	101.6	235	63.7	-
GoPact MCCB 200	Short Terminal Shield	3P	76.6	150.8	63.7	191.8
		4P	101.6	150.8	63.7	191.8
	Long Terminal Shield	3P	76.6	235	63.7	-
		4P	101.6	235	63.7	-
GoPact MCCB 250	Short Terminal Shield	3P	105	179	90.5	234
		4P	140	179	90.5	234
	Long Terminal Shield	3P	105	305	90.5	-
		4P	140	305	90.5	-
GoPact MCCB 400	Short Terminal Shield	3P	120	221	104.4	298
		4P	160	221	104.4	298
	Long Terminal Shield	3P	120	345	104.4	-
		4P	160	345	104.4	-
GoPact MCCB 800	Short Terminal Shield	3P	180	265.4	103.6	353.4
		4P	240	265.4	103.6	353.4
	Long Terminal Shield	3P	180	390	103.6	-
		4P	240	390	103.6	-



# Technical Data Supplement

INDUSTRIAL AUTOMATION

## Technical Data Supplement

---

Tripping curves .....	E-3
TMD Thermal magnetic trip unit .....	E-3
ETU 2.4 Electronic trip unit .....	E-5
Current and Energy limiting curve .....	E-6



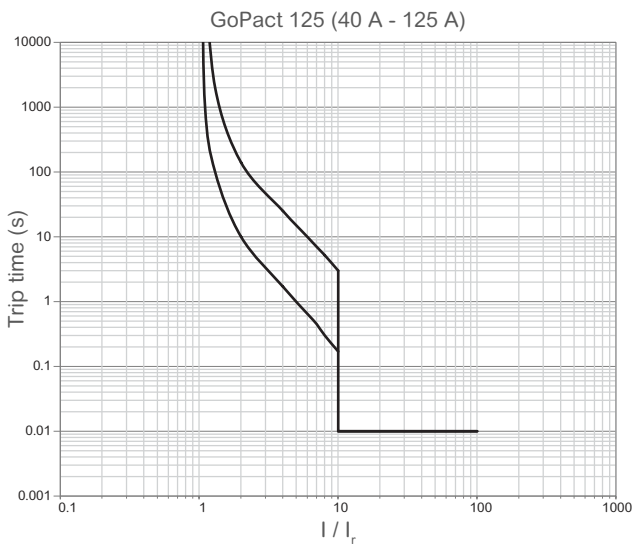
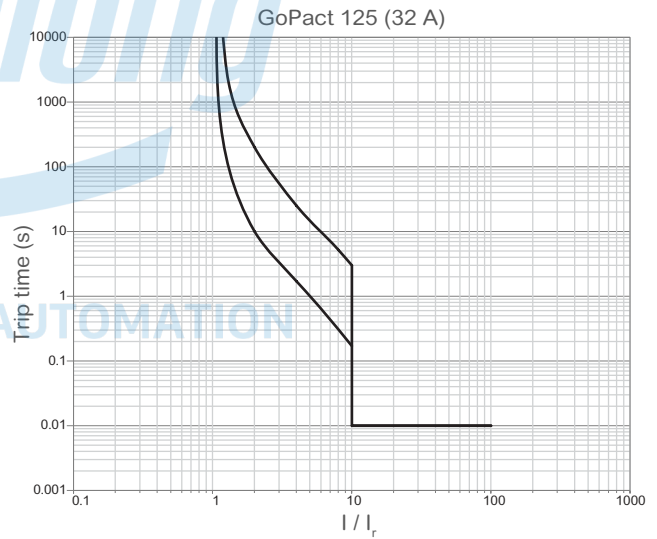
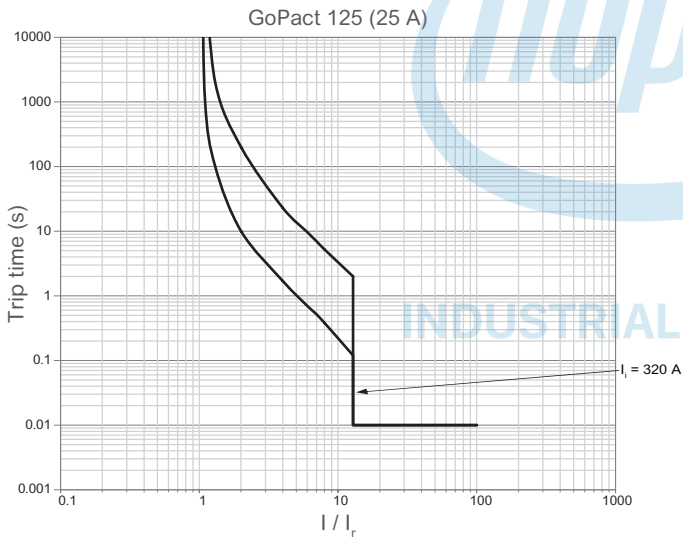
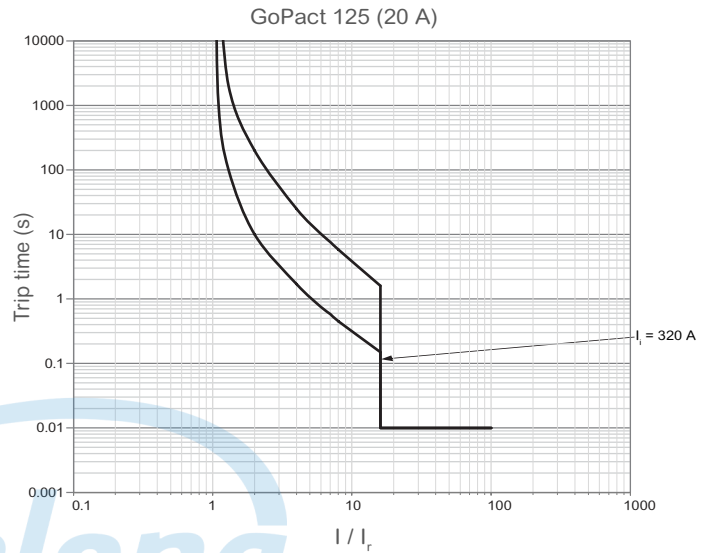
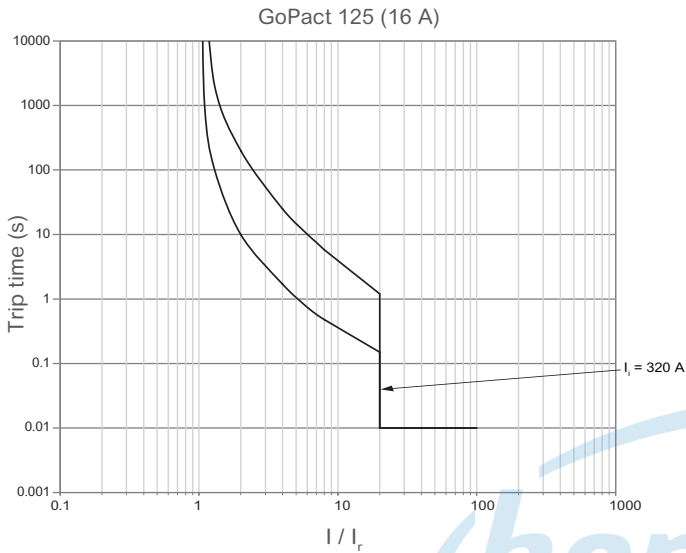
INDUSTRIAL AUTOMATION

# Tripping Curves

TMD Thermal magnetic trip unit

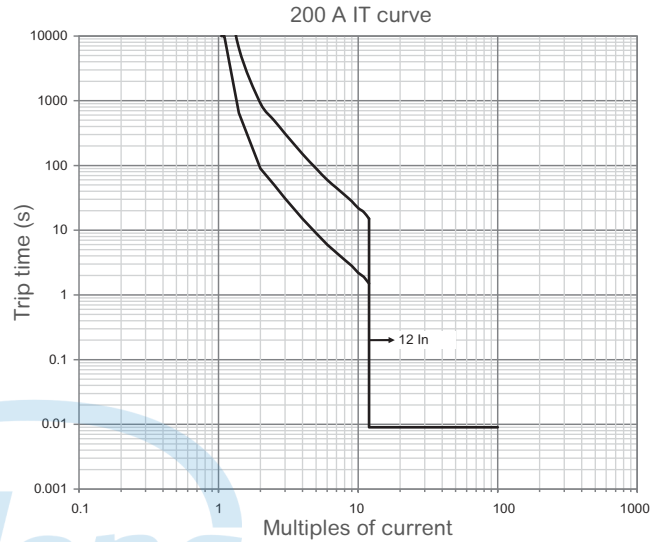
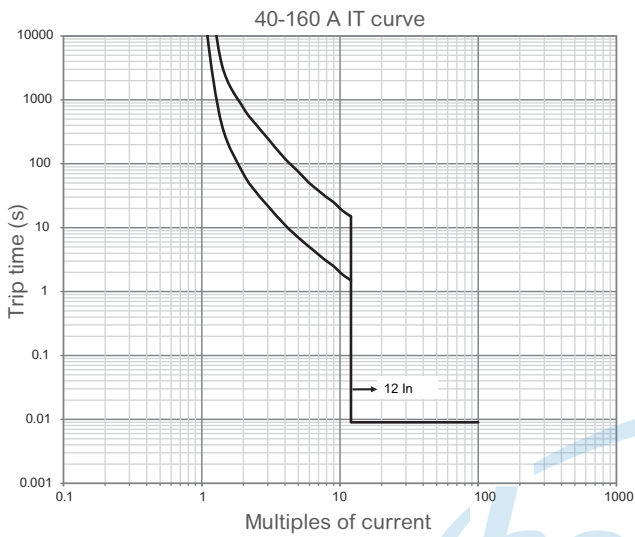
Characteristic Curves

## GoPact MCCB 125

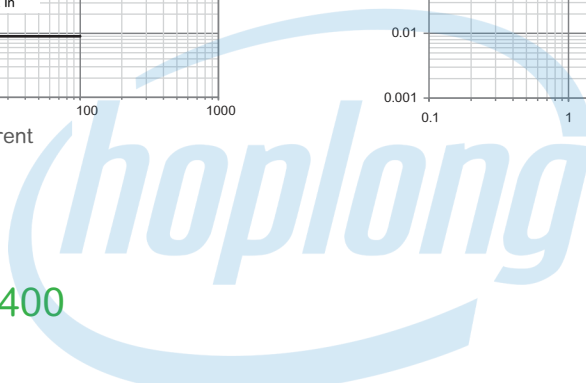
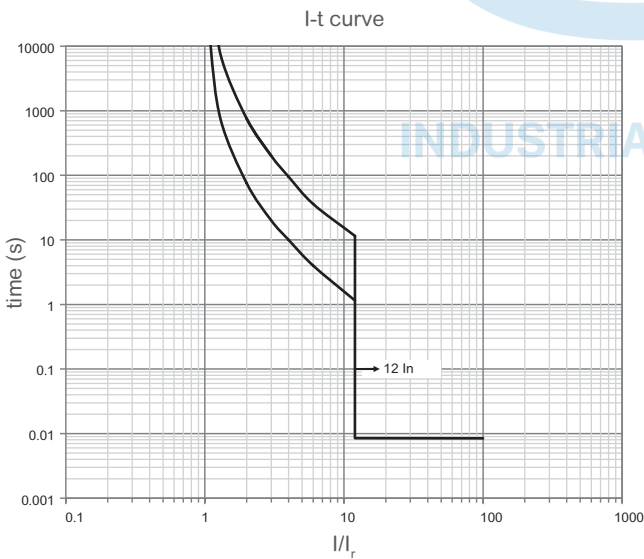


Characteristic Curves

GoPact MCCB 200



GoPact MCCB 250 to 400

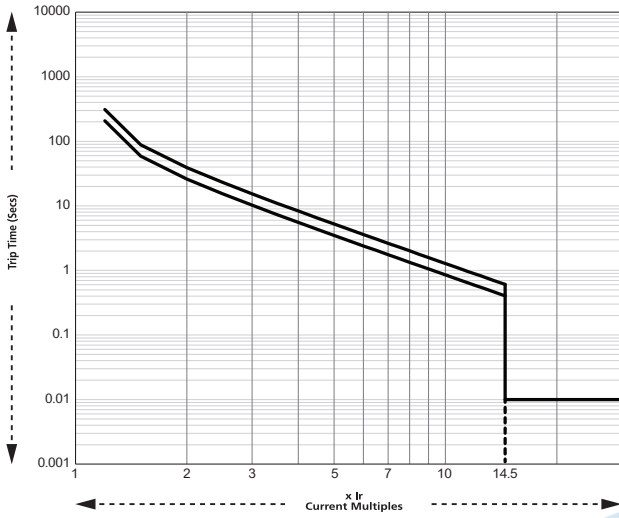


# Tripping Curves

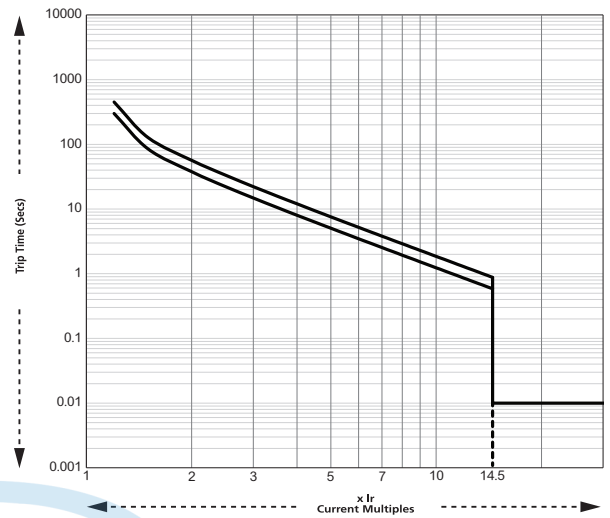
ETU 2.4 Electronic trip unit

## Characteristic Curves

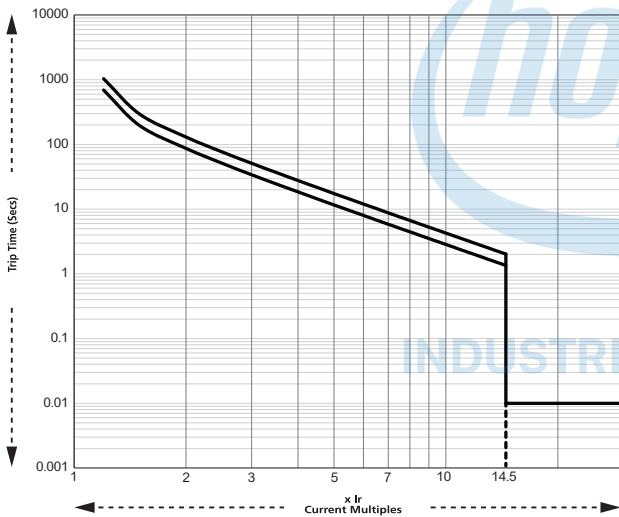
Overload 6Ir @ 3s



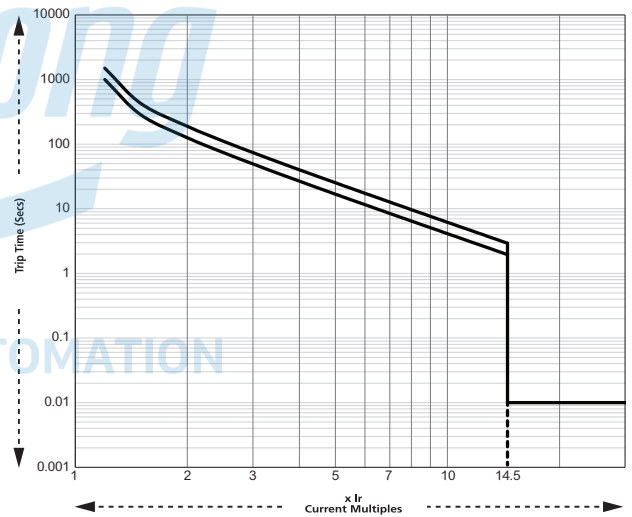
Overload 7.2 Ir @ 3s



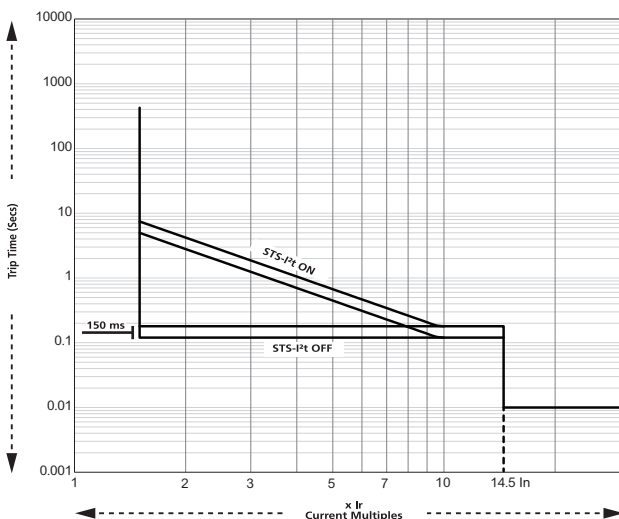
Overload 6Ir @ 10s



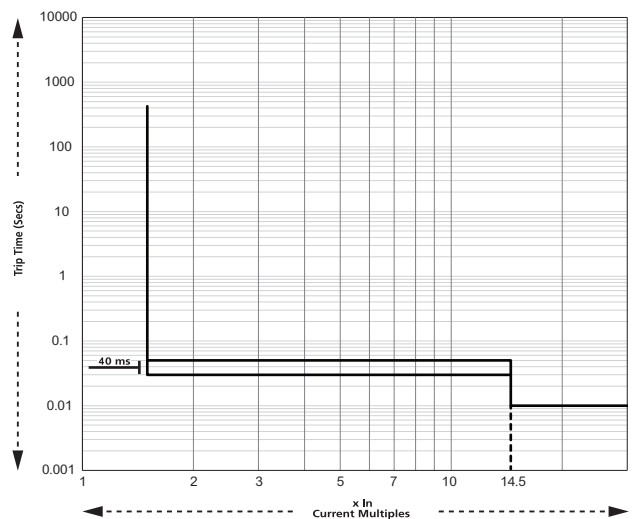
Overload 7.2 Ir @ 10s



Short - Circuit

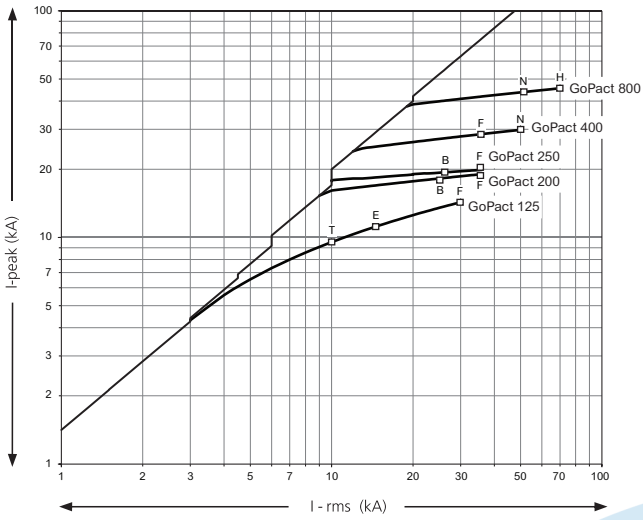


Instantaneous

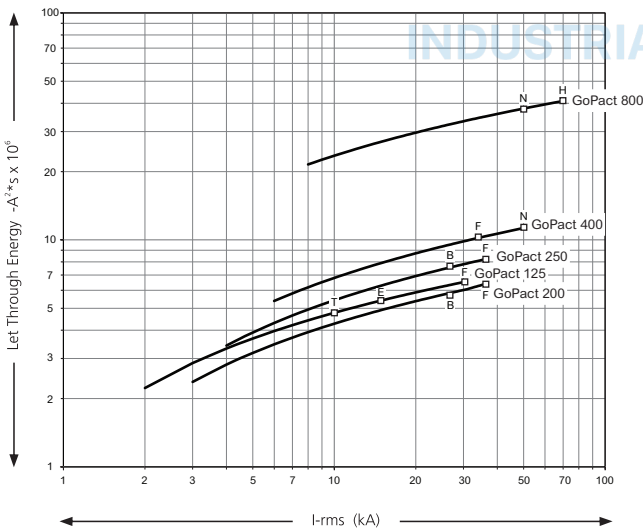




Current Limiting Curve for GoPact at 415 V AC



Energy Limiting Curve for GoPact at 415 V AC





# Commercial References

INDUSTRIAL AUTOMATION

## Commercial References

---

GoPact MCCB .....	F-3
Accessories .....	F-7



INDUSTRIAL AUTOMATION

Reference IDs

GoPact MCCB

GoPact Molded Case Circuit Breaker 125

		Fixed		Adjustable	
Breaking capacity at 415 V AC	Rating	3P3D	4P4D	3P3D	4P4D
10 kA = T	16 A	G12T3F16	G12T4F16	G12T3A16	G12T4A16
	20 A	G12T3F20	G12T4F20	G12T3A20	G12T4A20
	25 A	G12T3F25	G12T4F25	G12T3A25	G12T4A25
	32 A	G12T3F32	G12T4F32	G12T3A32	G12T4A32
	40 A	G12T3F40	G12T4F40	G12T3A40	G12T4A40
	50 A	G12T3F50	G12T4F50	G12T3A50	G12T4A50
	63 A	G12T3F63	G12T4F63	G12T3A63	G12T4A63
	80 A	G12T3F80	G12T4F80	G12T3A80	G12T4A80
	100 A	G12T3F100	G12T4F100	G12T3A100	G12T4A100
	125 A	G12T3F125	G12T4F125	G12T3A125	G12T4A125
15 kA = E	16 A	G12E3F16	G12E4F16	G12E3A16	G12E4A16
	20 A	G12E3F20	G12E4F20	G12E3A20	G12E4A20
	25 A	G12E3F25	G12E4F25	G12E3A25	G12E4A25
	32 A	G12E3F32	G12E4F32	G12E3A32	G12E4A32
	40 A	G12E3F40	G12E4F40	G12E3A40	G12E4A40
	50 A	G12E3F50	G12E4F50	G12E3A50	G12E4A50
	63 A	G12E3F63	G12E4F63	G12E3A63	G12E4A63
	80 A	G12E3F80	G12E4F80	G12E3A80	G12E4A80
	100 A	G12E3F100	G12E4F100	G12E3A100	G12E4A100
	125 A	G12E3F125	G12E4F125	G12E3A125	G12E4A125
30 kA = F	16 A	G12F3F16	G12F4F16	G12F3A16	G12F4A16
	20 A	G12F3F20	G12F4F20	G12F3A20	G12F4A20
	25 A	G12F3F25	G12F4F25	G12F3A25	G12F4A25
	32 A	G12F3F32	G12F4F32	G12F3A32	G12F4A32
	40 A	G12F3F40	G12F4F40	G12F3A40	G12F4A40
	50 A	G12F3F50	G12F4F50	G12F3A50	G12F4A50
	63 A	G12F3F63	G12F4F63	G12F3A63	G12F4A63
	80 A	G12F3F80	G12F4F80	G12F3A80	G12F4A80
	100 A	G12F3F100	G12F4F100	G12F3A100	G12F4A100
	125 A	G12F3F125	G12F4F125	G12F3A125	G12F4A125



Fixed

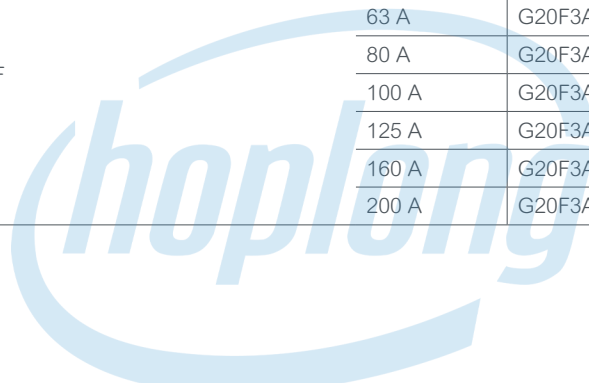


Adjustable

GoPact Molded Case Circuit Breaker 200



Breaking capacity at 415 V AC	Rating	Adjustable	
		3P3D	4P4D
25 kA = B	40 A	G20B3A40	G20B4A40
	50 A	G20B3A50	G20B4A50
	63 A	G20B3A63	G20B4A63
	80 A	G20B3A80	G20B4A80
	100 A	G20B3A100	G20B4A100
	125 A	G20B3A125	G20B4A125
	160 A	G20B3A160	G20B4A160
	200 A	G20B3A200	G20B4A200
36 kA = F	40 A	G20F3A40	G20F4A40
	50 A	G20F3A50	G20F4A50
	63 A	G20F3A63	G20F4A63
	80 A	G20F3A80	G20F4A80
	100 A	G20F3A100	G20F4A100
	125 A	G20F3A125	G20F4A125
	160 A	G20F3A160	G20F4A160
	200 A	G20F3A200	G20F4A200



GoPact Molded Case Circuit Breaker 250




Breaking capacity at 415 V AC	Rating	Adjustable	
		3P3D	4P4D
25 kA = B	160 A	G25B3A160	G25B4A160
	200 A	G25B3A200	G25B4A200
	250 A	G25B3A250	G25B4A250
36 kA = F	160 A	G25F3A160	G25F4A160
	200 A	G25F3A200	G25F4A200
	250 A	G25F3A250	G25F4A250




Reference IDs

GoPact MCCB

GoPact Molded Case Circuit Breaker 400

	Breaking capacity at 415 V AC	Rating	Adjustable	
			3P3D	4P4D
 36 kA = F		250 A	G40F3A250	G40F4A250
		320 A	G40F3A320	G40F4A320
		400 A	G40F3A400	G40F4A400
50 kA = N		250 A	G40N3A250	G40N4A250
		320 A	G40N3A320	G40N4A320
		400 A	G40N3A400	G40N4A400

GoPact Molded Case Circuit Breaker 800

	Breaking capacity at 415 V AC	Rating	TMD		Electronic	
			3P3D	4P4D	3P3D	4P4D
 50 kA = N		500 A	G80N3TM500	G80N4TM500	G80N3E500	G80N4E500
		630 A	G80N3TM630	G80N4TM630	G80N3E630	G80N4E630
		800 A	G80N3TM800	G80N4TM800	G80N3E800	G80N4E800
70 kA = H		500 A	G80H3TM500	G80H4TM500	G80H3E500	G80H4E500
		630 A	G80H3TM630	G80H4TM630	G80H3E630	G80H4E630
		800 A	G80H3TM800	G80H4TM800	G80H3E800	G80H4E800

Voltage release (MN) / Shunt trip (MX)



GoPact MCCB 125 AC 50/60 Hz MN	
Rating	MN
110 V	G12UVR110AC
240 V	G12UVR230AC
415 V	G12UVR415AC
GoPact MCCB 125 AC 50/60Hz MX	
Rating	MX
110-415 V	G12SHT415AC
GoPact MCCB 200-250 AC 50/60Hz MN	
Rating	MN
110 V	G20-25UVR110AC
240 V	G20-25UVR240AC
415 V	G20-25UVR415AC
GoPact MCCB 200-250 AC/DC 50/60Hz MX	
Rating	MX
24 V	G20-25SHT24DC
48 V	G20-25SHT48DC
110 V	G20-25SHT110AC
240 V	G20-25SHT240AC
415 V	G20-25SHT415AC
GoPact MCCB 400-800 AC/DC 50/60Hz MN	
Rating	MN
110 V	G40-80UVR110AC
240 V	G40-80UVR240AC
415 V	G40-80UVR415AC
GoPact MCCB 400-800 AC/DC 50/60Hz MX	
Rating	MX
24 V	G40-80SHT24DC
48 V	G40-80SHT48DC
110 V	G40-80SHT110AC
240 V	G40-80SHT240AC
415 V	G40-80SHT415AC

INDUSTRIAL AUTOMATION

F

# Reference IDs

## Accessories

### Auxiliary contact (OF/SD)



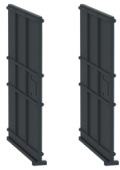
Auxiliary contact (OF/SD) GoPact MCCB 125-250	
Rating	
240 V	G12-25AUX240
Auxiliary contact (OF/SD) GoPact MCCB 400-800	
Rating	
240 V	G40-80AUX240

### Rotary Handle



	Direct	Extended
GoPact MCCB 125	G12ROTDS	G12ROTE
GoPact MCCB 200	G20ROTDS	G20ROTE
GoPact MCCB 250	G25ROTDS	G25ROTE
GoPact MCCB 400	G40ROTDS	G40ROTE
GoPact MCCB 800	G80ROTDS	G80ROTE

### Interphase barriers set of 2



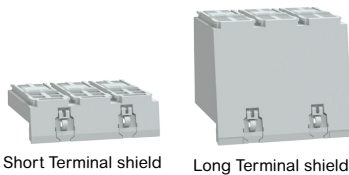
GoPact MCCB 125	G12FASB2
GoPact MCCB 200	G20FASB2
GoPact MCCB 250	G25FASB2
GoPact MCCB 400-800	G40-80FASB2
GoPact MCCB 200	G20PLUGFASB2

INDUSTRIAL AUTOMATION

### Terminal shield

#### Short Terminal shield

#### Long Terminal shield



Short Terminal shield      Long Terminal shield

	Short Terminal shield		Long Terminal shield	
	3P	4P	3P	4P
GoPact MCCB 125	G12STSHD3P	G12STSHD4P	G12LTSHD3P	G12LTSHD4P
GoPact MCCB 200	G20STSHD3P	G20STSHD4P	G20LTSHD3P	G20LTSHD4P
GoPact MCCB 250	G25STSHD3P	G25STSHD4P	G25LTSHD3P	G25LTSHD4P
GoPact MCCB 400	G40STSHD3P	G40STSHD4P	G40LTSHD3P	G40LTSHD4P
GoPact MCCB 800	G80STSHD3P	G80STSHD4P	G80LTSHD3P	G80LTSHD4P

### Plug-In Base



	3P	4P
GoPact MCCB 200	G20PBASE3P	G20PBASE4P
GoPact MCCB 250	G25PBASE3P	G25PBASE4P
GoPact MCCB 400	G40PBASE3P	G40PBASE4P
GoPact MCCB 800	G80PBASE3P	G80PBASE4P



Conversion kit for Plug-in Base



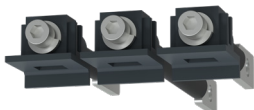
	3P	4P
GoPact MCCB 200	G20PLUGKIT3P	G20PLUGKIT4P
GoPact MCCB 250	G25PLUGKIT3P	G25PLUGKIT4P
GoPact MCCB 400	G40PLUGKIT3P	G40PLUGKIT4P
GoPact MCCB 800	G80PLUGKIT3P	G80PLUGKIT4P

Terminal Extension Spreaders



	3P	4P
GoPact MCCB 125	G12SPDR3P	G12SPDR4P
GoPact MCCB 200-160 A	G20SPDR3P	G20SPDR4P
GoPact MCCB 250	G25SPDR3P	G25SPDR4P
GoPact MCCB 400	G40SPDR3P	G40SPDR4P
GoPact MCCB 800-630 A	G80SPDR3P630	G80SPDR4P630
GoPact MCCB 800-800 A	G80SPDR3P800	G80SPDR4P800

Rear Connectors



	3P	4P
GoPact MCCB 200	G20RC3P	G20RC4P
GoPact MCCB 250	G25RC3P	G25RC4P
GoPact MCCB 400	G40RC3P	G40RC4P
GoPact MCCB 800	G80RC3P	G80RC4P

Steel bare cable connectors



	3P	4P
GoPact MCCB 200*	G20SBC3P	G20SBC4P
GoPact MCCB 250	G25SBC3P	G25SBC4P
GoPact MCCB 400	G40SBC3P	G40SBC4P

\* Do not use steel bare cable connectors for 200 A



# CÔNG TY CỔ PHẦN CÔNG NGHỆ HỢP LONG



## INDUSTRIAL AUTOMATION

### Schneider Electric Industries SAS

35, rue Joseph Monier  
CS 30323  
92506 Rueil Malmaison Cedex  
France

RCS Nanterre 954 503 439  
Capital social 896 313 776 €  
[www.se.com](http://www.se.com)

08-2022

© 2022 - Schneider Electric. All Rights Reserved.  
All trademarks are owned by Schneider Electric Industries SAS or its affiliated companies.  
Document reference: SP0368101-00

This document has been  
printed on recycled paper



Hotline: 1900.6536 - Website: [HOPLONGTECH.COM](http://HOPLONGTECH.COM)