



INNOVATION • DEDICATED • SERVICE • WIN-WIN



Innovation Dedicated Service Win-win

INDUSTRIAL AUTOMATION



FRECON ELECTRIC (SHENZHEN) CO.,LTD

Add: Floor3,Block C,F&D technology Park Baoan

Road Baoan District,Shenzhen,China

Tel: (+86)-0755-33067999

Fax: (+86)-0755-33067186

E-mail: overseas@frecon.com.cn

Website:www.frecon.com.cn



Frecon Website



WeChat ID

20171120 (V1.2)

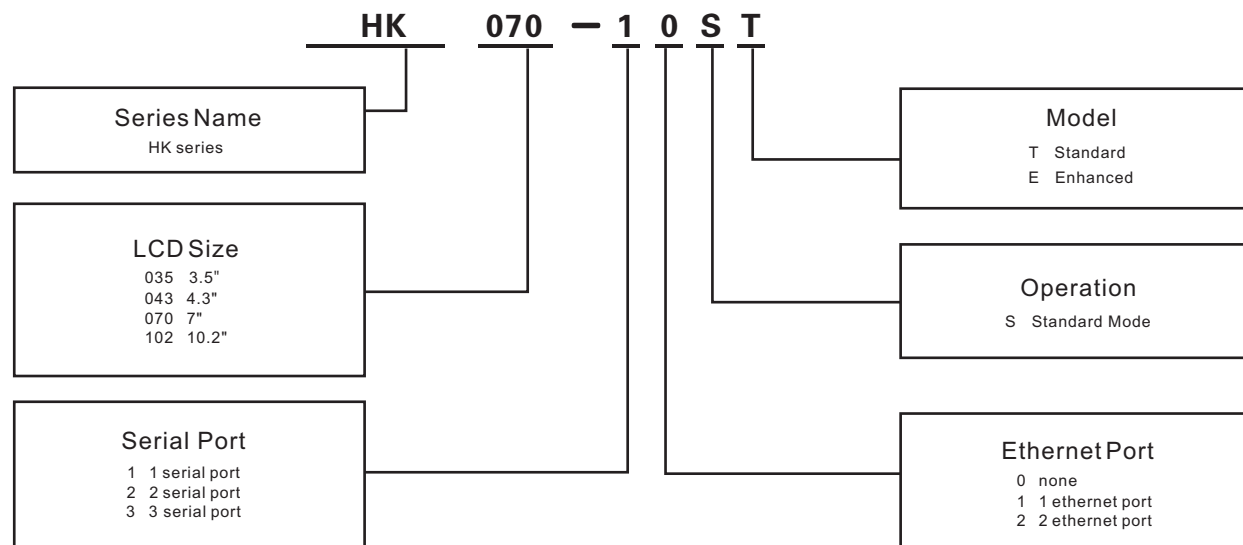


FRECON ELECTRIC (SHENZHEN) CO., LTD.

Hotline: 1900.6536 - Website: HOPLONGTECH.COM




HMI Name Plate



Features

- High-performance processor**
 - Industrial high performance RISC 32bit processor, the main frequency is 400MHz
- High capacity FLASH**
 - Support storage large capacity data, power failure is not lost, support USB flash disk and SD card storage
- Gallery**
 - Provides a wealth of vector graph
 - Editable vector graph
 - Support BMP, JPG images format
- Font for text**
 - Supports TRUE TYPE Fonts (TTF)
 - Support the font editing function
 - Support unicode coding
- Online simulation**
 - Use the computer to connect the PLC directly to simulate the configuration project, can get data from the PLC
- Macro instruction programming**
 - Support C language scripting
 - Support self-set function library
 - Support freeport communication protocol
 - Support the C standard mathematical function
 - Multiple execution modes
- USB flash disk upload and download**
 - Support USB flash disk update project
 - Support USB flash disk data upload and download
 - Support USB flash disk update recipe

Technical Parameters

HK series						
						
Model No.	HK102-20SE	HK102-10ST	HK070-20SE	HK070-10ST	HK043-20SE	HK043-20ST
Resolution	800x480		800x480		480x272	
LCD Screen	TFT color touch screen (LED backlight), 65536					
Backlight Life	50000Hours					
LCD Screen brightness (cd/m2)	300					
Touch control pannel/button	4wire resistance type					
CPU	32 bits 400MHz RISC					
Battery Memory	256KB					
Data Memory	128M FLASH + 64M DDRAM					
Clock	Exist					
USB	USB Host + USB Client					
Serial Port	COM1	RS232/RS422/RS485			RS422/RS485	
	COM2	RS232/RS485	-	RS232/RS485	-	RS232
	COM3	COM3 Optional	-	COM3 Optional	-	-
Ethernet Port	Null					
Input Voltage	DC24V (12~28VDC)					
Power Consumption	<8W		<8W		<5W	
Operating Temperature	-10°C~60°C					
Certificate	FCC Part 15 Class A & EN61000-6-2,EN61000-6-4(CE)					
Front Panel Protection Degree	IP65					
Panel Size (mm)	272.0x190.5x47.4		201.0x146.0x36.0		138.0x86.0x37.0	142.0x86.0x30.3
Opening Size (mm)	260.0x179.0		192.0x138.0		131.0x79.0	131.0x78.0
Net/Gross (KG)	1.2/1.7		0.6/1.0		0.3/0.6	