

Vacuum Cleaner Introduction G9/G10

INDUSTRIAL AUTOMATION

Laura Chang Liu

10/09/2020

Mi Vacuum Cleaner G10

CÔNG TY CỔ PHẦN CÔNG NGHỆ HỢP LONG



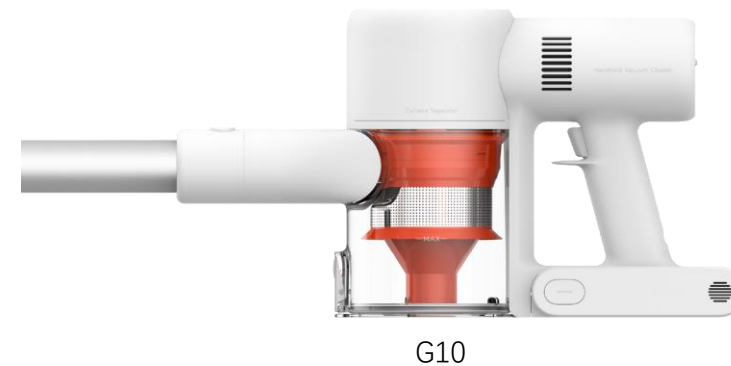
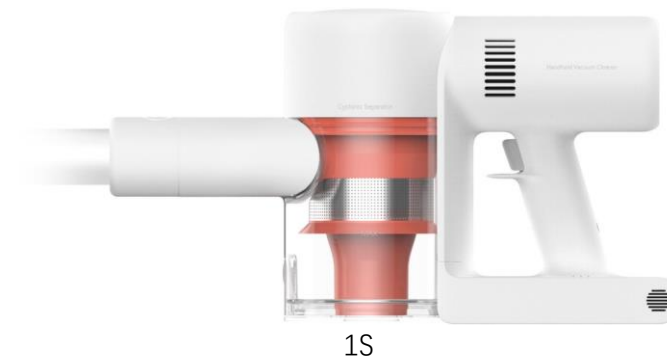
ID pictures

Hotline: 1900.6536 - Website: HOPLONGTECH.COM

Global G10 vs domestic 1S

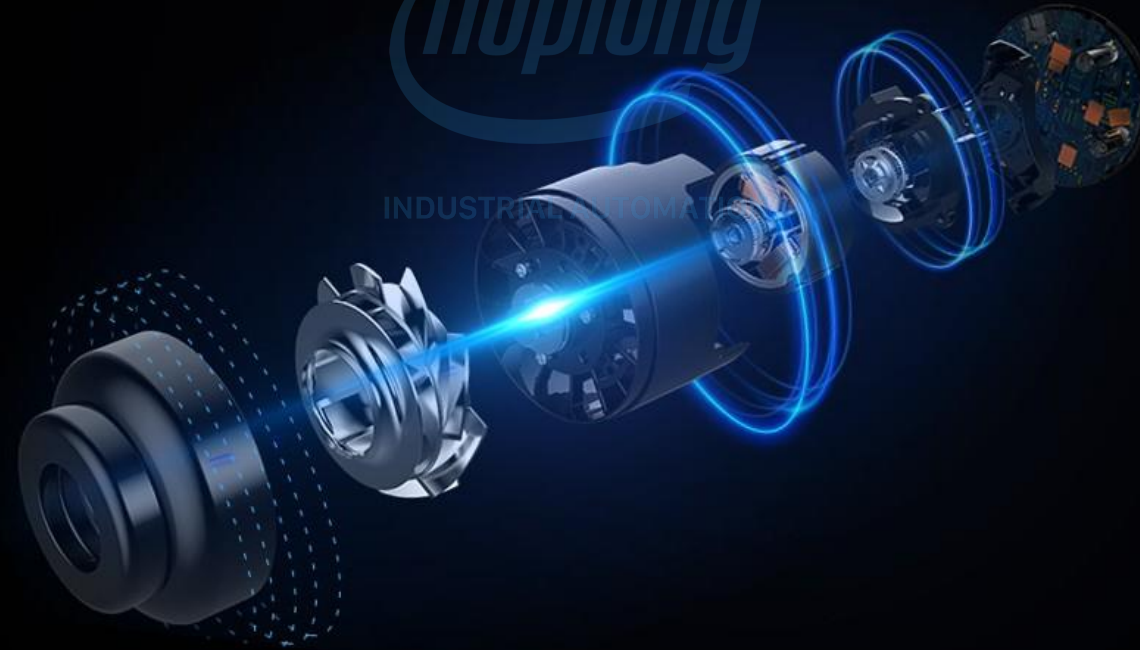
- Redesigned layout for overseas market to avoid patent risks;
- Enlarge the dustbin from 0.5L to 0.6L to meet overseas consumer needs;
- Detachable dustbin and battery.

	Domestic 1S	Global G10
General Layout		
Dustbin capacity	0.5L	0.6L
Detachable dustbin	No	Yes
Detachable battery	No	Yes
HEPA layout	Upper side	Hidden inside
Patent risk	East Asia and part of Europe	Under control

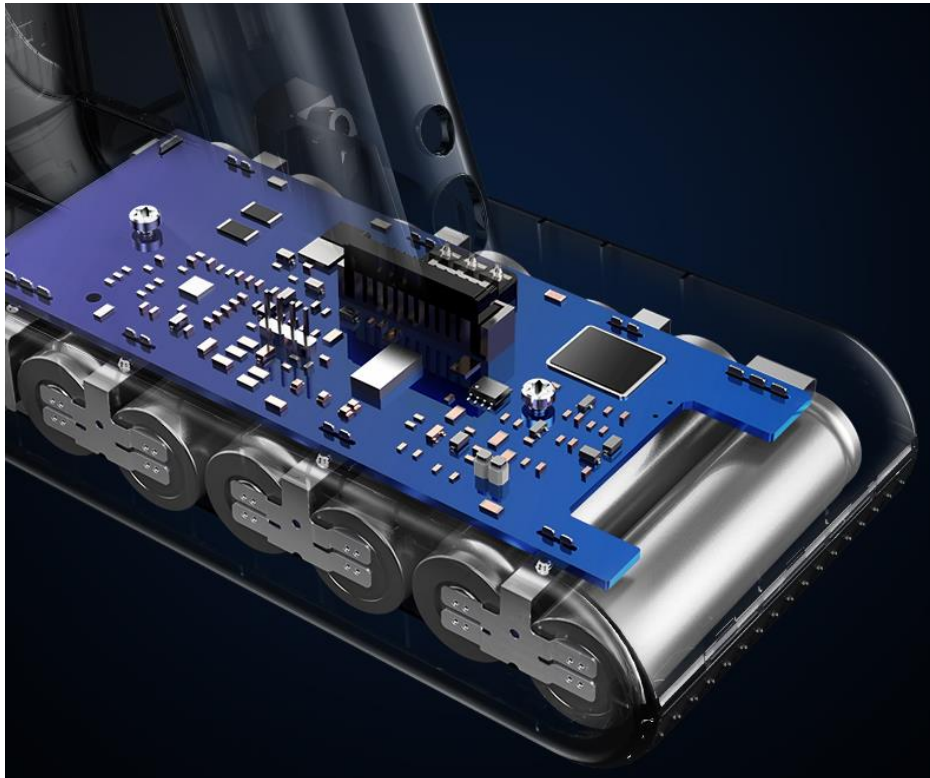


KSP 1 – 12,5000 rmp digital motor

Powered by the **newest brushless motor** that spins at up to **125,000rpm**, creating the suction power of **150 air watts**,
Which equals to **Dyson V10**, and surpasses Xiaomi 1C by **25%**.



KSP 2 – Powerful and detachable battery



- **Sony battery** 7*3000mAh, imported from Japan;
- Detachable battery with the click-in design;
- Wall-mounted dock to charge the cleaner & battery;
- Four power modes of eco, standard, high and auto;
- Up to 65mins running time at eco mode;
- * spare battery to be purchased separately

KSP 3 – Real-time TFT Screen



Functions:

- ✓ Language setting;
- ✓ 4 cleaning modes of eco, standard, high, auto;
- ✓ Battery percentage;
- ✓ Battery low capacity notification;
- ✓ Air channel blockage notification;
- ✓ Brush roller cleaning reminder;
- ✓ Battery overheat reminder;
- ✓ HEPA cleaning reminder;
- ✓ HEPA unassembled reminder;
- ✓ Fault code;
- ✓ Digital lock.

KSP 3 – Real-time TFT Screen

Digital lock



Press to continuous mode:

No need to press the button for long-time cleaning

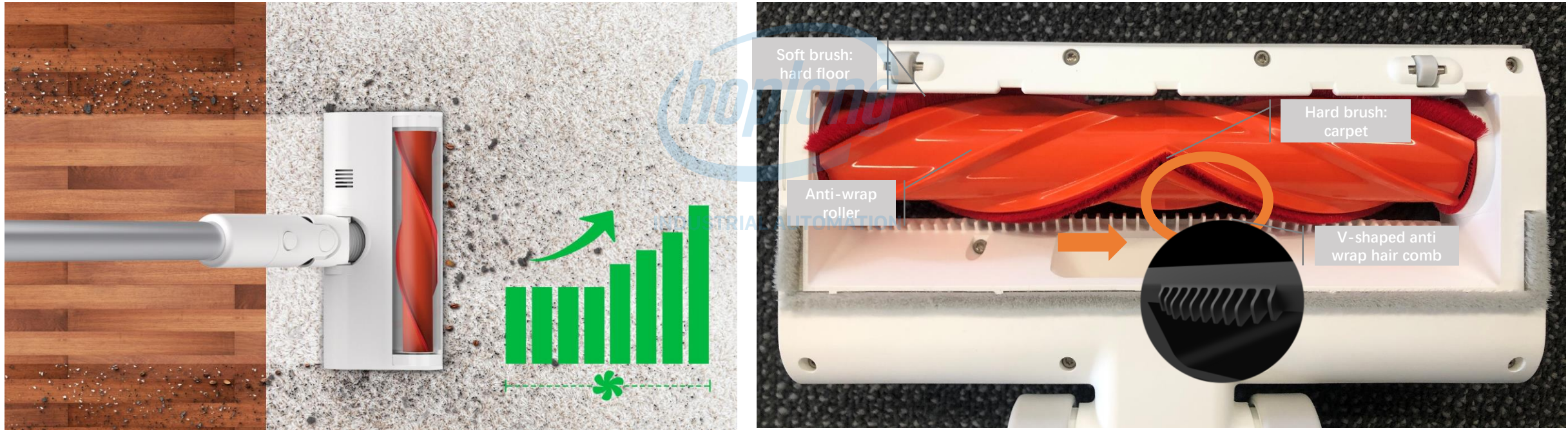


Unlock to manual mode:

Press or release the power button as you like

KSP 4 – Smart torque adapts to different floors

Under auto mode, the smart torque can automatically adjusting power across floor types.

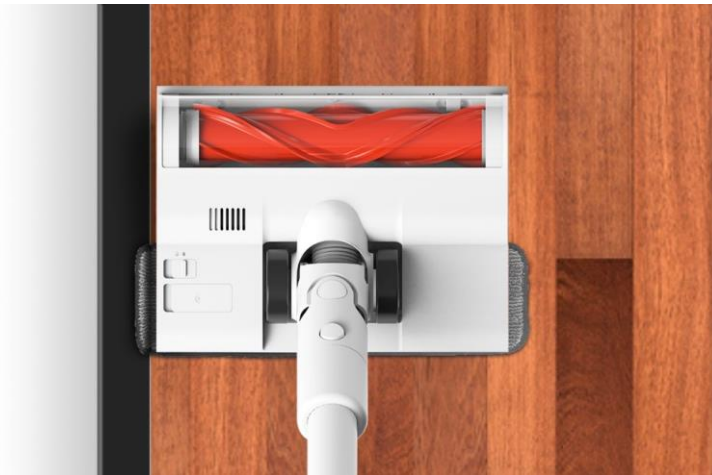


KSP 5 – Mop while vacuum

250ml magnetic water tank can work together with the main brush to deep clean your home.



INDUSTRIAL AUTOMATION



	Leaking speed	Mopping time	Scenario
Mode 2	6ml /min	41min	everyday cleaning
Mode 1	3ml /min	83min	wet floor

KSP 6 – 5 stage filtration, washable components

- 5 stage filtration prevents dust and particles from leaking back into the air;
- 0.6L large dust bin helps you to empty less frequently;
- Washable components are both health and budget friendly;
- If you miss any component while reassembling, it will intelligently remind you.

