

45 Type Analog Meter

Certificates  



Model No

KA-45 Type







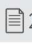





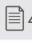







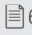
①







① Type

- A** AC Ammeter
- B** AC Voltmeter
- C** DC Ammeter
- D** DC Voltmeter
- E** Signal meter
- F** Frequency meter

How to order) KAB-45 AC 150V

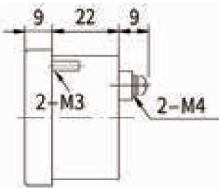
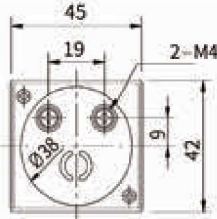
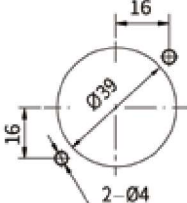
Technical Data

| Type | Model No | Operation | Class | Max input | Min input | Note |
|-----------------|----------|--|-------|----------------------------|-------------|---|
| AC Ammeter | KAA-45 |    | 2.5 | 5A | 1A |  1 |
| AC Voltmeter | KAB-45 |   | 2.5 | 600V | 10V |  2 |
| DC Ammeter | KAC-45 |  or   | 2.5 | 5A, 200mV | 150μA, 50mV |  3 |
| DC Voltmeter | KAD-45 |  | 2.5 | 600V | 1V |  4 |
| Signal meter | KAE-45 |  or   | 2.5 | DC 4~20mA, DC 10V, AC 18V | |  5 |
| Frequency meter | KAF-45 |    | 1.0 | 55~65Hz external converter | |  6 |

-  1. Standard : 5A Input, or use CT or TD.
-  2. Standard : 150V, 300V, 600V Input or use PT.
-  3. Standard : 50mV ,60mV input.
-  4. Standard : 15V, 30V, 50V, 100V, or 600V input, or use voltage divider.
-  5. Bezel design to be customized.
-  6. Standard: 110V, 220V (50/60Hz) input.

Drawing

Unit:mm

| Type | Side | Rear | Panel cut | weight |
|------------|---|---|---|--------|
| Bolt fixed |  |  |  | 40g |

50 Type Analog Meter

Certificates  



Model No






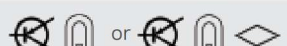
KA-50 Type
①

① Type

- A** AC Ammeter
- B** AC Voltmeter
- C** DC Ammeter
- D** DC Voltmeter
- E** Signal meter
- F** Frequency meter

How to order) KAB-50 AC 150V

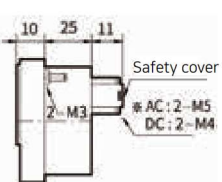
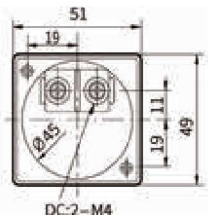
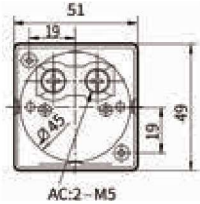
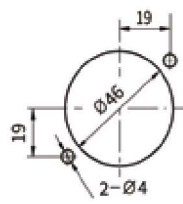
Technical Data

| Type | Model No | Operation | Class | Max input | Min input | Note |
|-----------------|----------|---|-------|---|-------------|------|
| AC Ammeter | KAA-50 |  | 2.5 | 5A | 0.1A | ① |
| AC Voltmeter | KAB-50 |  | 2.5 | 600V | 10V | ② |
| DC Ammeter | KAC-50 |  | 2.5 | 5A, 200mV | 150µA, 50mV | ③ |
| DC Voltmeter | KAD-50 |  | 2.5 | 600V | 1V | ④ |
| Signal meter | KAE-50 |  | 2.5 | DC 4 ~ 20mA or DC 10V or AC 18V | | ⑤ |
| Frequency meter | KAF-50 |  | 1.0 | 55 ~ 65Hz external converter, 45 ~ 65Hz internal converter | | ⑥ |

- ① Standard : 5A Input, or use CT
- ② Standard : 150V, 300V, 600V Input or use PT.
- ③ Standard : 50mV ,60mV input.
- ④ Standard : 15V, 30V, 50V, 100V, or 600V input, or use voltage divider.
- ⑤ Bezel design to be customized.
- ⑥ Standard: 110V, 220V (50/60Hz) input .

Drawing

Unit:mm

| Type | Side | Rear | | Panel cut | weight |
|------------|---|---|--|---|--------|
| | | KAB/KAC/KAD/KAE/KAF | KAA | | |
| Bolt fixed |  |  |  |  | 60g |

60 Type Analog Meter

Certificates 



Model No

KA-60 Type

①

① Type

A AC Ammeter

B AC Voltmeter

C DC Ammeter










D DC Voltmeter

E Signal meter

F Frequency meter

How to order) KAB-60 AC 600V

Technical Data

| Type | Model No | Operation | Class | Max input | Min input | Note |
|-----------------|----------|--|-------|---|-------------|------|
| AC Ammeter | KAA-60 |  | 2.5 | 5A | 0.1A | ① |
| AC Voltmeter | KAB-60 |  | 2.5 | 600V | 10V | ② |
| DC Ammeter | KAC-60 |  or  | 2.5 | 5A, 200mV | 150μA, 50mV | ③ |
| DC Voltmeter | KAD-60 |  | 2.5 | 600V | 1V | ④ |
| Signal meter | KAE-60 |  or  | 2.5 | DC 4 ~ 20mA or DC 10V or AC 18V | | ⑤ |
| Frequency meter | KAF-60 |  or  | 1.0 | 55 ~ 65Hz external converter, 45 ~ 65Hz internal converter | | ⑥ |

①. Standard : 5A Input, or use CT

②. Standard : 150V, 300V, 600V Input or use PT.

③. Standard : 50mV ,60mV input.

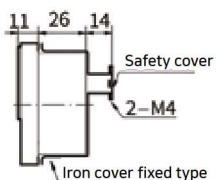
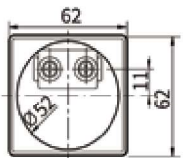

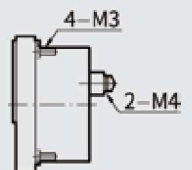
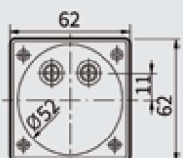
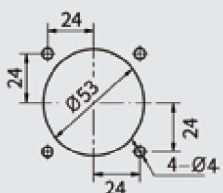
④. Standard : 15V, 30V, 50V, 100V, or 600V input, or use voltage divider.

⑤. Bezel design to be customized.

⑥. Standard: 110V, 220V (50/60Hz) input.

Drawing

Unit:mm

| Type | Side | Rear | Panel cut | weight |
|-----------------------|---|---|---|--------|
| Iron cover fixed type |  |  |  | 80g |
| Bolt fixed |  |  |  | 80g |

68 Type Analog Meter

Certificates 



Model No

KA-68 Type








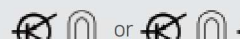

①

① Type

- | | |
|-----------------------|--------------------------|
| A AC Ammeter | D DC Voltmeter |
| B AC Voltmeter | E Signal meter |
| C DC Ammeter | F Frequency meter |

How to order) KAB-68 AC 600V

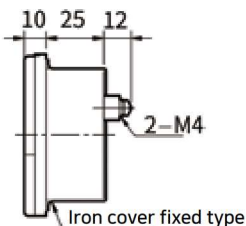
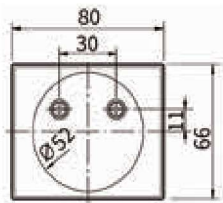
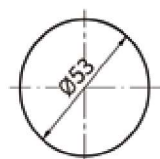
Technical Data

| Type | Model No | Operation | Class | Max input | Min input | Note |
|-----------------|----------|--|-------|---|-------------|------|
| AC Ammeter | KAA-68 |  | 2.5 | 5A | 0.1A | ① |
| AC Voltmeter | KAB-68 |  | 2.5 | 600V | 10V | ② |
| DC Ammeter | KAC-68 |  or  | 2.5 | 5A, 200mV | 150μA, 50mV | ③ |
| DC Voltmeter | KAD-68 |  | 2.5 | 600V | 1V | ④ |
| Signal meter | KAE-68 |  or  | 2.5 | DC 4 ~ 20mA or DC 10V or AC 18V | | ⑤ |
| Frequency meter | KAF-68 |  or  | 1.0 | 55 ~ 65Hz external converter, 45 ~ 65Hz internal converter | | ⑥ |

- ① Standard : 5A Input, or use CT
- ② Standard : 150V, 300V, 600V Input or use PT.
- ③ Standard : 50mV ,60mV input.
- ④ Standard : 15V, 30V, 50V, 100V, or 600V input, or use voltage divider.
- ⑤ Bezel design to be customized.
- ⑥ Standard: 110V, 220V (50/60Hz) input

Drawing

Unit:mm

| Type | Side | Rear | Panel cut | Weight |
|-----------------------|---|---|---|--------|
| Iron cover fixed type |  |  |  | 130g |

72 Type Analog Meter

Certificates  



Model No

KA-72 Type










①

① Type

- | | |
|-----------------------|--------------------------|
| A AC Ammeter | D DC Voltmeter |
| B AC Voltmeter | E Signal meter |
| C DC Ammeter | F Frequency meter |

How to order) KAC-72 DC 100A/50mV

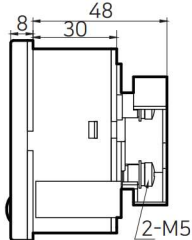
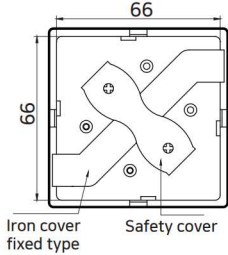
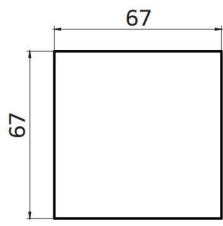
Technical Data

| Type | Model No | Operation | Class | Max input | Min input | Note |
|-----------------|----------|--|-------|---|-------------|------|
| AC Ammeter | KAA-72 |  | 2.5 | 5A | 0.1A | ① |
| AC Voltmeter | KAB-72 |  | 2.5 | 600V | 10V | ② |
| DC Ammeter | KAC-72 |  or  | 2.5 | 5A, 200mV | 150μA, 50mV | ③ |
| DC Voltmeter | KAD-72 |  | 2.5 | 600V | 1V | ④ |
| Signal meter | KAE-72 |  or  | 2.5 | DC 4 ~ 20mA or DC 10V or AC 18V | | ⑤ |
| Frequency meter | KAF-72 |  or  | 1.0 | 55 ~ 65Hz external converter, 45 ~ 65Hz internal converter | | ⑥ |

- ①. Standard : 5A Input, or use CT
- ②. Standard : 150V, 300V, 600V Input or use PT.
- ③. Standard : 50mV, 60mV input.
- ④. Standard : 15V, 30V, 50V, 100V, or 600V input, or use voltage divider.
- ⑤. Bezel design to be customized.
- ⑥. Standard: 110V, 220V (50/60Hz) input

Drawing

Unit:mm

| Type | Side | Rear | Panel cut | Weight |
|-----------------------|---|---|--|--------|
| Iron cover fixed type |  |  |  | 130g |

80 Type Analog Meter

Certificates  



Model No

KA-80 Type








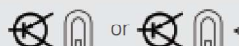

①

① Type

- | | |
|-----------------------|--------------------------|
| A AC Ammeter | D DC Voltmeter |
| B AC Voltmeter | E Signal meter |
| C DC Ammeter | F Frequency meter |

How to order) KAC-80 DC 100A/50mV

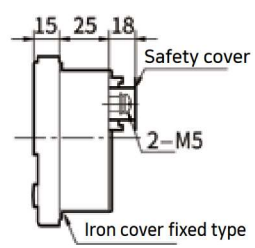
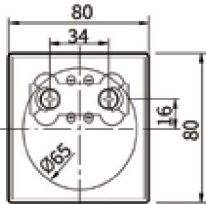
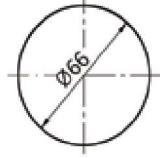
Technical Data

| Type | Model No | Operation | Class | Max input | Min input | Note |
|-----------------|----------|--|-------|---|-------------|------|
| AC Ammeter | KAA-80 |  | 2.5 | 5A | 0.1A | ① |
| AC Voltmeter | KAB-80 |  | 2.5 | 600V | 10V | ② |
| DC Ammeter | KAC-80 |  or  | 2.5 | 5A, 200mV | 150μA, 50mV | ③ |
| DC Voltmeter | KAD-80 |  | 2.5 | 600V | 1V | ④ |
| Signal meter | KAE-80 |  or  | 2.5 | DC 4 ~ 20mA or DC 10V or AC 18V | | ⑤ |
| Frequency meter | KAF-80 |  or  | 1.0 | 55 ~ 65Hz external converter, 45 ~ 65Hz internal converter | | ⑥ |

- ①. Standard : 5A Input, or use CT
- ②. Standard : 150V, 300V, 600V Input or use PT.
- ③. Standard : 50mV ,60mV input.
- ④. Standard : 15V, 30V, 50V, 100V, or 600V input, or use voltage divider.
- ⑤. Bezel design to be customized.
- ⑥. Standard: 110V, 220V (50/60Hz) input

Drawing

Unit:mm

| Type | Side | Rear | Panel cut | Weight |
|-----------------------|---|---|---|--------|
| Iron cover fixed type |  |  |  | 130g |

81 Type Analog Meter

Certificates 



Model No







KA□-81 Type
①

① Type

- | | |
|-----------------------|--------------------------|
| A AC Ammeter | D DC Voltmeter |
| B AC Voltmeter | E Signal meter |
| C DC Ammeter | F Frequency meter |

How to order) KAC-81 DC 100A/50mV

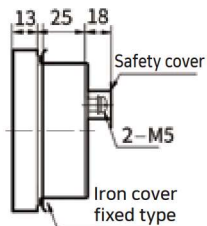
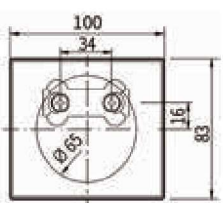
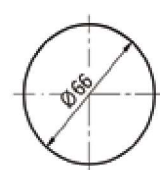
Technical Data

| Type | Model No | Operation | Class | Max input | Min input | Note |
|-----------------|----------|---|-------|---|-------------|------|
| AC Ammeter | KAA-81 |  | 1.5 | 5A | 0.1A | ① |
| AC Voltmeter | KAB-81 |  | 1.5 | 600V | 10V | ② |
| DC Ammeter | KAC-81 |  | 1.5 | 5A, 200mV | 150μA, 50mV | ③ |
| DC Voltmeter | KAD-81 |  | 1.5 | 600V | 1V | ④ |
| Signal meter | KAE-81 |  | 1.5 | DC 4 ~ 20mA or DC 10V or AC 18V | | ⑤ |
| Frequency meter | KAF-81 |  | 1.0 | 55 ~ 65Hz external converter, 45 ~ 65Hz internal converter | | ⑥ |

- ①. Standard : 5A Input, or use CT
- ②. Standard : 150V, 300V, 600V Input or use PT.
- ③. Standard : 50mV ,60mV input.
- ④. Standard : 15V, 30V, 50V, 100V, or 600V input, or use voltage divider.
- ⑤. Bezel design to be customized.
- ⑥. Standard: 110V, 220V (50/60Hz) input

Drawing

Unit:mm

| Type | Side | Rear | Panel cut | Weight |
|-----------------------|---|---|---|--------|
| Iron cover fixed type |  |  |  | 140g |

08 Type Analog Meter

Certificates  



Model No

KA-08 Type

①

① Type

A AC Ammeter

B AC Voltmeter

C DC Ammeter

How to order) KAC-08 DC 200 μ A

D DC Voltmeter

E Signal meter

F Frequency meter

Technical Data

| Type | Model No | Operation | Class | Max input | Min input | Note |
|-----------------|----------|--|-------|---------------------------------|-------------------|------|
| AC Ammeter | KAA-08 |  | 1.5 | 5A | 1A | ① |
| AC Voltmeter | KAB-08 |  | 1.5 | 600V | 10V | ② |
| DC Ammeter | KAC-08 |  or  | 1.5 | 5A, 200mV | 150 μ A, 50mV | ③ |
| DC Voltmeter | KAD-08 |  | 1.5 | 1000V | 1V | ④ |
| Signal meter | KAE-08 |  or  | 1.5 | DC 4 ~ 20mA or DC 10V or AC 18V | | ⑤ |
| Frequency meter | KAF-08 |  | 1.0 | 45 ~ 65Hz, 45 ~ 55Hz, 55 ~ 65Hz | | ⑥ |

① Standard : 5A Input, or use CT

② Standard : 150V, 300V, 600V Input or use PT.

③ Standard : 50mV, 60mV input.

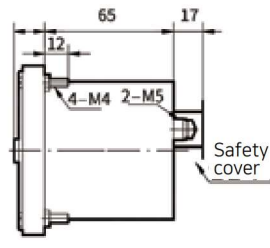
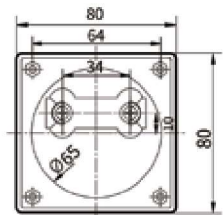
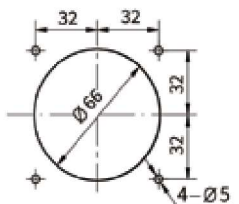
④ Standard : 15V, 30V, 50V, 100V, or 600V input, or use voltage divider.

⑤ Bezel design to be customized.

⑥ Standard: 110V, 220V (50/60Hz) input

Drawing

Unit:mm

| Type | Side | Rear | Panel cut | Weight |
|------------|---|---|--|--------|
| Bolt fixed |  |  |  | 350g |

08N Type Analog Meter

Certificates 



Model No

KA-08N Type

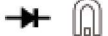



①

① Type

- | | |
|-----------------------|--------------------------|
| A AC Ammeter | D DC Voltmeter |
| B AC Voltmeter | E Signal meter |
| C DC Ammeter | F Frequency meter |

How to order) KAC-08N DC 200 μ A

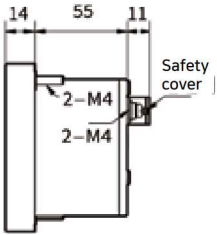
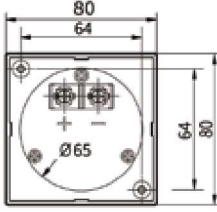
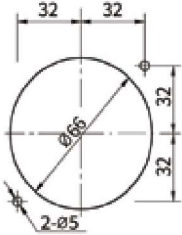
Technical Data

| Type | Model No | Operation | Class | Max input | Min input | Note |
|-----------------|----------|--|-------|--|-------------------|------|
| AC Ammeter | KAA-08N |  | 1.5 | 5A | 1A | 1 |
| AC Voltmeter | KAB-08N |  | 1.5 | 600V | 10V | 2 |
| DC Ammeter | KAC-08N |  or  | 1.5 | 5A, 200mV | 150 μ A, 50mV | 3 |
| DC Voltmeter | KAD-08N |  | 1.5 | 1000V | 1V | 4 |
| Signal meter | KAE-08N |  or  | 1.5 | DC 4 ~ 20mA or DC 10V or AC 18V | | 5 |
| Frequency meter | KAF-08N |  | 1.0 | 45 ~ 65Hz, 45 ~ 55Hz 55 ~ 65 Hz (With external converter) | | 6 |

- 1. Standard : 5A Input, or use CT
- 2. Standard : 150V, 300V, 600V Input or use PT.
- 3. Standard : 50mV ,60mV input.
- 4. Standard : 15V, 30V, 50V, 100V, or 600V input, or use voltage divider.
- 5. Bezel design to be customized.
- 6. Standard: 110V, 220V (50/60Hz) input

Drawing

Unit:mm

| Type | Side | Rear | Panel cut | Weight |
|------------|---|---|---|--------|
| Bolt fixed |  |  |  | 350g |

11 Type Analog Meter

Certificates  



Model No

KA-11 Type

①

① Type

- A** AC Ammeter
- B** AC Voltmeter
- C** DC Ammeter
- D** DC Voltmeter
- E** Signal meter
- F** Frequency meter

How to order)KAD-11 DC 600V

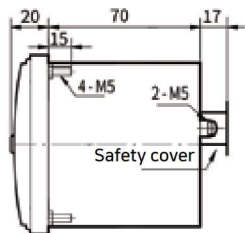
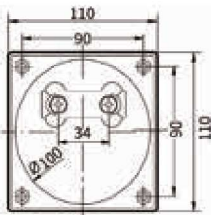
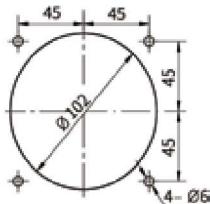
Technical Data

| Type | Model No | Operation | Class | Max input | Min input | Note |
|-----------------|----------|---|-------|---------------------------------|-------------|------|
| AC Ammeter | KAA-11 |  | 1.5 | 5A | 1A | 1 |
| AC Voltmeter | KAB-11 |  | 1.5 | 600V | 10V | 2 |
| DC Ammeter | KAC-11 |  | 1.5 | 5A, 200mV | 150µA, 50mV | 3 |
| DC Voltmeter | KAD-11 |  | 1.5 | 1000V | 1V | 4 |
| Signal meter | KAE-11 |  | 1.5 | DC 4 ~ 20mA or DC 10V or AC 18V | | 5 |
| Frequency meter | KAF-11 |  | 1.0 | 45 ~ 65Hz, 45 ~ 55Hz, 55 ~ 65Hz | | 6 |

- 1. Standard : 5A Input, or use CT
- 2. Standard : 150V, 300V, 600V Input or use PT.
- 3. Standard : 50mV ,60mV input.
- 4. Standard : 15V, 30V, 50V, 100V, or 600V input, or use voltage divider.
- 5. Bezel design to be customized.
- 6. Standard: 110V, 220V (50/60Hz) input

Drawing

Unit:mm

| Type | Side | Rear | Panel cut | Weight |
|------------|---|---|---|--------|
| Bolt fixed |  |  |  | 450g |