

## Split-Type Current Transformer

Certificates 



**KBC-03S**  
(Cable)

**KBC-06S**  
(Cable)

**KBC-05**  
(Busbar)

**KBC-12**  
(Busbar)

### Model No.

**KBC-**   
① ②

① Size	② Mounting bracket
See the table below	N/A None
	S Mounting bracket included(OPTION)

### Selection table

Size	For meter(50/60Hz)				For OCR(50/60Hz)			Size	For meter(50/60Hz)			For OCR(50/60Hz)		
	Current(AT)			Class (%)	Current(AT)		Class (IEC)		Current(AT)		Class (%)	Current(AT)		Class (IEC)
	2.5VA	5VA	15VA		2.5VA	5VA			5VA	15VA		2.5VA	5VA	
03	100 ~ 120	150	-	3.0	100 ~ 150	-	5P5	05	150	-	3.0	100 ~ 150	-	5P5
	-	200 ~ 300	350 ~ 600		1.0	200 ~ 300			350 ~ 600	5P10		200 ~ 350	400 ~ 600	
06	-	400 ~ 600	750 ~ 1500	1.0	400 ~ 600	750 ~ 1500	5P10	12	400 ~ 600	750 ~ 1500	1.0	400 ~ 600	750 ~ 1500	5P10

 **How to order** Example) KBC-03 200/5 A, 5 VA, 1.0%, KBC-06 S 600/5 A, 5 VA, 1.0 %

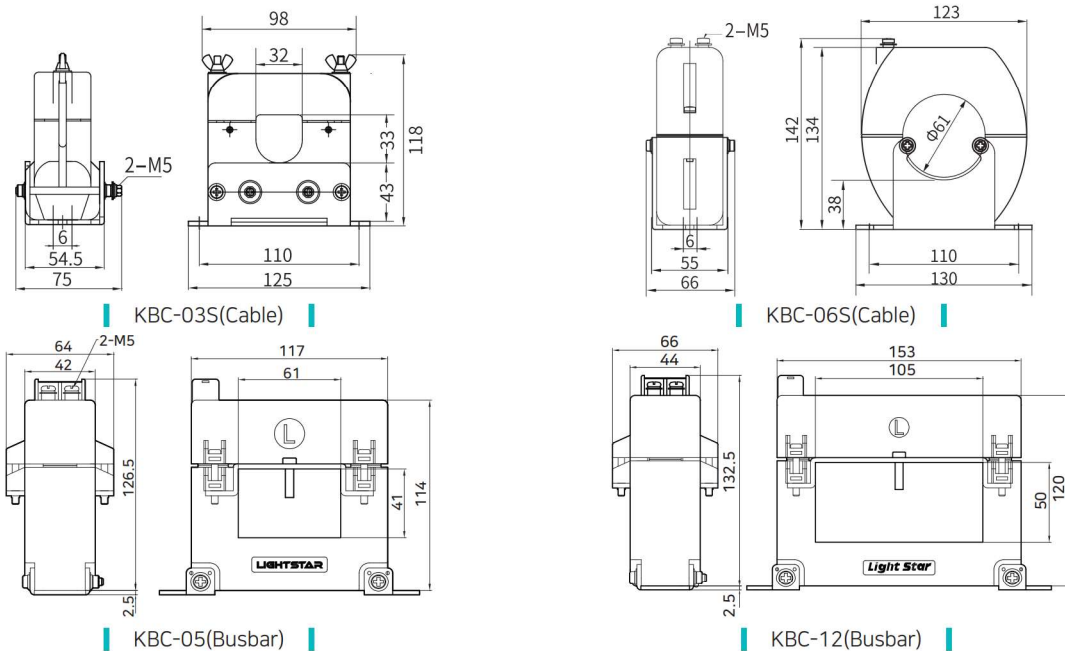
### Specification

Maximum voltage	Overcurrent strenght	Withstand voltage	Frequency	Body material	Weight
1.15kV	40Times	4.0 kV / 1 min	50/60Hz	Flame retardant case and polyester flame retardant resin filling	KBC-03(1100g) KBC-06(1800g)

 Customized product can be produced by order.  Current transformer bolt torque : Refer to page 43

### Drawing

Unit:mm



**KBC-03S(Cable)**

**KBC-06S(Cable)**

**KBC-05(Busbar)**

**KBC-12(Busbar)**