

Battery Charger

Model No.

KH□□-□□□

① ② ③

① Type

- 0 Controller external type
- 1 Controller integrated type

② Input

- 2 AC 3P 220V
- 3 AC 3P 380V
- 4 AC 3P 440V

③ Output

- 1 DC 110V, 30A
- 2 DC 110V, 50A
- 3 DC 110V, 100A

How to order :

KHO-32 External type AC 3Ø 380V, DC 110V, 50A



Controller-Outer box attached

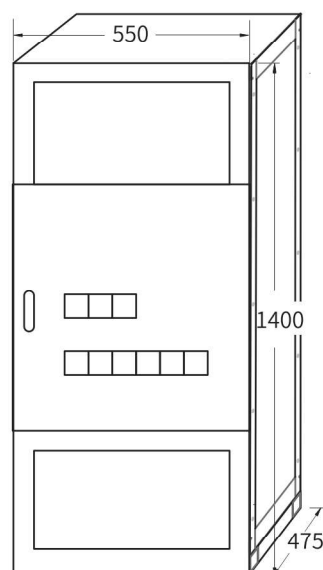
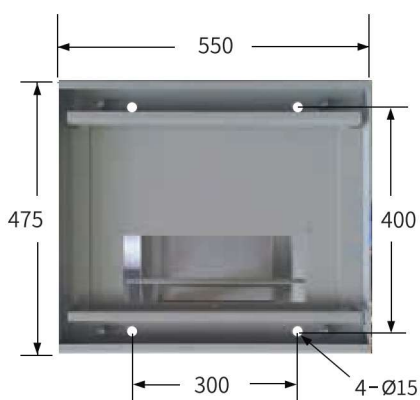


Specification

Input Voltage	AC 3 Phase 220V/380V/440V(60Hz)	Withstand voltage	AC 1.5kV/1 minute (between the external terminal and the case)
Rated Output Voltage	DC 110V	Insulation resistance	More than 10MΩ (DC 500V) Between terminal and ground
Rated Output Current	30A/50A/100A/200A	Operating temperature / humidity	0°C ~ 55°C/20~85% RH
Measurement	AC input voltage, AC input current, DC voltage, load current (LOAD), charge current (BATT), ambient temperature, voltage, Battery trend (DC voltage, charge current, discharge) Current-10 hours data storage	Communication	RS-485

Drawing

Unit:mm



DC 100A output product can be provided by order.
DC 200A output product can be provided by order.

Basic circuit diagram

