


# Box Fan R87B

CSM\_R87B\_DS\_E\_4\_3

## Comprehensive Lineup of Single, Double, and Triple Axial Fans with Easy One-step Mounting

- Mounts in a square cutout and conceals the hole-cut to simplify installation work.
- Cover can be set to open either upward or downward for convenience in confined spaces.
- Enhanced accessories (finger guard, filter, plug cord, mounting screws).
- Optional Replacement Filter and Vent Attachment.
- The lineup includes Single, Double, and Triple Box Fans with eight models with plastic blades and eight models with metal blades.



 Refer to *Safety Precautions for All Axial Fans*.

## Model Number Structure

### Model Number Legend

R87B-        A15  PF    

1    2            3            4 5

### Attachment

R87B-N  

1 5

### Options and Accessories

R87B-P      

1 6 7

| Number | Category                    | Symbol      | Meaning of symbol                                                                    |
|--------|-----------------------------|-------------|--------------------------------------------------------------------------------------|
| 1      | Fan (blade material)        | F<br>T<br>N | R87F Axial Fan (with plastic blades)<br>R87T Axial Fan (with metal blades)<br>No fan |
|        | Optional parts              | P           | Options and accessories                                                              |
| 2      | Power supply classification | A1          | 100 VAC                                                                              |
|        |                             | A3          | 115 VAC                                                                              |
|        |                             | A4          | 200 VAC                                                                              |
|        |                             | A6          | 230 VAC                                                                              |
| 3      | Speed classification        | H           | High speed                                                                           |
|        |                             | M           | Middle speed                                                                         |
|        |                             | L           | Low speed                                                                            |
| 4      | Airflow direction *         | None        | In                                                                                   |
|        |                             | R           | Out                                                                                  |
| 5      | Number of fans              | None        | 1                                                                                    |
|        |                             | 2           | 2                                                                                    |
|        |                             | 3           | 3                                                                                    |
| 6      | Part type                   | F           | Filter                                                                               |
| 7      | Reference number            | 01          | ---                                                                                  |

**Note:** These tables show only how to read model numbers. They do not indicate which products are available. Refer to "Ratings and Ordering Information" when placing an order.

\* "In" is the direction of external air flowing in.  
"Out" is the direction of internal air flowing out.

## Ordering Information

| Type                         | Number of fans | Model                         | Accessories                                           |
|------------------------------|----------------|-------------------------------|-------------------------------------------------------|
| Plastic blades<br>High speed | 1              | R87B-FA <u>  </u> A15HPF(R)   | Filter<br>Finger guard<br>Plug cord<br>Mounting bolts |
|                              | 2              | R87B-FA <u>  </u> A15HPF(R)2  |                                                       |
|                              | 3              | R87B-FA <u>  </u> A15HPF(R)3  |                                                       |
| Plastic blades<br>Low speed  | 1              | R87B-FA <u>  </u> A15LPPF(R)  |                                                       |
|                              | 2              | R87B-FA <u>  </u> A15LPPF(R)2 |                                                       |
|                              | 3              | R87B-FA <u>  </u> A15LPPF(R)3 |                                                       |
| Metal blades<br>High speed   | 1              | R87B-TA <u>  </u> A15HPF(R)   |                                                       |
|                              | 2              | R87B-TA <u>  </u> A15HPF(R)2  |                                                       |
|                              | 3              | R87B-TA <u>  </u> A15HPF(R)3  |                                                       |
| Metal blades<br>Medium speed | 1              | R87B-TA <u>  </u> A15MPF(R)   |                                                       |
|                              | 2              | R87B-TA <u>  </u> A15MPF(R)2  |                                                       |
|                              | 3              | R87B-TA <u>  </u> A15MPF(R)3  |                                                       |
| Attachment                   | For 1          | R87B-N                        | Filter<br>Finger guard<br>Mounting screws             |
|                              | For 2          | R87B-N2                       |                                                       |
|                              | For 3          | R87B-N3                       |                                                       |
| Replacement Filter           | Any            | R87B-PF01                     | Set of two filters                                    |

## Ratings and Ordering Information

| Item                          | Model  | R87B-F                                                                                                     | R87B-T                                    |
|-------------------------------|--------|------------------------------------------------------------------------------------------------------------|-------------------------------------------|
| Motor type                    |        | Single-phase shading coil induction motor (2-pole, open type)                                              |                                           |
| Terminal type                 |        | Terminals                                                                                                  |                                           |
| Insulation class              |        | IEC class B (130°C)<br>UL class A (105°C)<br>CSA class A (105°C)                                           | IEC class B (130°C)<br>UL class A (105°C) |
| Insulation resistance         |        | 100 MΩ min. (at 500 VDC)<br>Between all power supply connection parts and non-current carrying metal parts |                                           |
| Dielectric strength           |        | 2,000 VAC for 1 min<br>Between all power supply connection parts and non-current carrying metal parts      |                                           |
| Ambient operating temperature |        | -30 to 70°C (with no icing)                                                                                | -20 to 70°C (with no icing)               |
| Storage temperature           |        | -40 to 85°C (with no icing)                                                                                |                                           |
| Ambient humidity              |        | 25% to 85%                                                                                                 |                                           |
| Protection                    |        | Impedance protection                                                                                       |                                           |
| Materials                     | Frame  | Die-cast aluminum                                                                                          |                                           |
|                               | Blades | Glass polycarbonate                                                                                        | Steel plate (black coating)               |
| Bearings                      |        | Ball bearings                                                                                              |                                           |
| Compliant standards*          |        | PSE, EN/IEC 60335 (CE self-declaration)                                                                    |                                           |
| Certified standards*          |        | UL/CSA                                                                                                     | UL                                        |

**Note:** The rated current is the total for all fans.

\* The compliant standards and certified standards apply to the listed Axial Fans.

## Safety Precautions

Refer to *Safety Precautions for All Axial Fans*.

ALL DIMENSIONS SHOWN ARE IN MILLIMETERS.  
To convert millimeters into inches, multiply by 0.03937. To convert grams into ounces, multiply by 0.03527.

In the interest of product improvement, specifications are subject to change without notice.

## Ratings and Ordering Information

## Airflow Direction: In

| Item<br>Model  | Rated voltage (V) | Permitted voltage fluctuation range (%) | Frequency (Hz) | Rated rotational speed (r/min) * |       | Maximum flow rate (m <sup>3</sup> /min) * |       | Maximum static pressure (Pa) * |       | Noise (dB) * |       | Weight          |
|----------------|-------------------|-----------------------------------------|----------------|----------------------------------|-------|-------------------------------------------|-------|--------------------------------|-------|--------------|-------|-----------------|
|                |                   |                                         |                | 50 Hz                            | 60 Hz | 50 Hz                                     | 60 Hz | 50 Hz                          | 60 Hz | 50 Hz        | 60 Hz |                 |
| R87B-FA1A15HPF | 100               | 85% to 110% rated voltage               | 50/60          | 2,700                            | 3,100 | 1.3                                       | 1.5   | 91                             | 85    | 49           | 52    | Approx. 1,120 g |
| R87B-FA3A15HPF | 115               |                                         |                |                                  |       |                                           |       |                                |       |              |       |                 |
| R87B-FA4A15HPF | 200               |                                         |                |                                  |       |                                           |       |                                |       |              |       |                 |
| R87B-FA6A15HPF | 230               |                                         |                |                                  |       |                                           |       |                                |       |              |       |                 |
| R87B-FA1A15LPF | 100               | 85% to 110% rated voltage               | 50/60          | 2,100                            | 2,200 | 0.9                                       | 1.0   | 43                             | 42    | 42           | 43    |                 |
| R87B-FA3A15LPF | 115               |                                         |                |                                  |       |                                           |       |                                |       |              |       |                 |
| R87B-FA4A15LPF | 200               |                                         |                |                                  |       |                                           |       |                                |       |              |       |                 |
| R87B-FA6A15LPF | 230               |                                         |                |                                  |       |                                           |       |                                |       |              |       |                 |
| R87B-TA1A15HPF | 100               | 85% to 110% rated voltage               | 50/60          | 2,650                            | 3,000 | 1.1                                       | 1.3   | 67                             | 63    | 45           | 48    | Approx. 1,150 g |
| R87B-TA3A15HPF | 115               |                                         |                |                                  |       |                                           |       |                                |       |              |       |                 |
| R87B-TA4A15HPF | 200               |                                         |                |                                  |       |                                           |       |                                |       |              |       |                 |
| R87B-TA6A15HPF | 230               |                                         |                |                                  |       |                                           |       |                                |       |              |       |                 |
| R87B-TA1A15MPF | 100               | 85% to 110% rated voltage               | 50/60          | 2,300                            | 2,600 | 0.8                                       | 1.0   | 41                             | 45    | 41           | 44    |                 |
| R87B-TA3A15MPF | 115               |                                         |                |                                  |       |                                           |       |                                |       |              |       |                 |
| R87B-TA4A15MPF | 200               |                                         |                |                                  |       |                                           |       |                                |       |              |       |                 |
| R87B-TA6A15MPF | 230               |                                         |                |                                  |       |                                           |       |                                |       |              |       |                 |

Note: An asterisk (\*) indicates a nominal value.

## Airflow Direction: Out

| Item<br>Model   | Rated voltage (V) | Permitted voltage fluctuation range (%) | Frequency (Hz) | Rated rotational speed (r/min) * |       | Maximum flow rate (m <sup>3</sup> /min) * |       | Maximum static pressure (Pa) * |       | Noise (dB) * |       | Weight          |
|-----------------|-------------------|-----------------------------------------|----------------|----------------------------------|-------|-------------------------------------------|-------|--------------------------------|-------|--------------|-------|-----------------|
|                 |                   |                                         |                | 50 Hz                            | 60 Hz | 50 Hz                                     | 60 Hz | 50 Hz                          | 60 Hz | 50 Hz        | 60 Hz |                 |
| R87B-FA1A15HPFR | 100               | 85% to 110% rated voltage               | 50/60          | 2,700                            | 3,100 | 1.3                                       | 1.5   | 91                             | 85    | 49           | 52    | Approx. 1,120 g |
| R87B-FA3A15HPFR | 115               |                                         |                |                                  |       |                                           |       |                                |       |              |       |                 |
| R87B-FA4A15HPFR | 200               |                                         |                |                                  |       |                                           |       |                                |       |              |       |                 |
| R87B-FA6A15HPFR | 230               |                                         |                |                                  |       |                                           |       |                                |       |              |       |                 |
| R87B-FA1A15LPFR | 100               | 85% to 110% rated voltage               | 50/60          | 2,100                            | 2,200 | 0.9                                       | 1.0   | 43                             | 42    | 42           | 43    |                 |
| R87B-FA3A15LPFR | 115               |                                         |                |                                  |       |                                           |       |                                |       |              |       |                 |
| R87B-FA4A15LPFR | 200               |                                         |                |                                  |       |                                           |       |                                |       |              |       |                 |
| R87B-FA6A15LPFR | 230               |                                         |                |                                  |       |                                           |       |                                |       |              |       |                 |
| R87B-TA1A15HPFR | 100               | 85% to 110% rated voltage               | 50/60          | 2,650                            | 3,000 | 1.1                                       | 1.3   | 67                             | 63    | 45           | 48    | Approx. 1,150 g |
| R87B-TA3A15HPFR | 115               |                                         |                |                                  |       |                                           |       |                                |       |              |       |                 |
| R87B-TA4A15HPFR | 200               |                                         |                |                                  |       |                                           |       |                                |       |              |       |                 |
| R87B-TA6A15HPFR | 230               |                                         |                |                                  |       |                                           |       |                                |       |              |       |                 |
| R87B-TA1A15MPFR | 100               | 85% to 110% rated voltage               | 50/60          | 2,300                            | 2,600 | 0.8                                       | 1.0   | 41                             | 45    | 41           | 44    |                 |
| R87B-TA3A15MPFR | 115               |                                         |                |                                  |       |                                           |       |                                |       |              |       |                 |
| R87B-TA4A15MPFR | 200               |                                         |                |                                  |       |                                           |       |                                |       |              |       |                 |
| R87B-TA6A15MPFR | 230               |                                         |                |                                  |       |                                           |       |                                |       |              |       |                 |

Note: An asterisk (\*) indicates a nominal value.

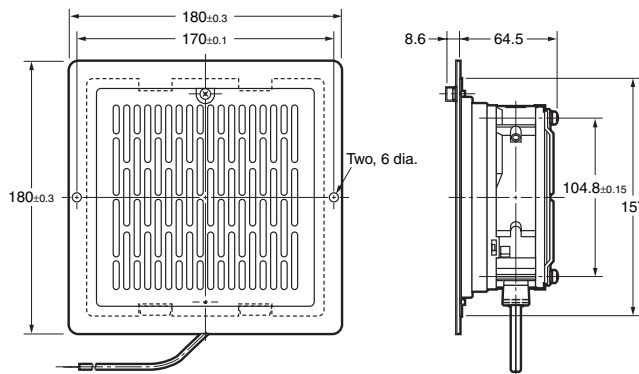
- The data in this table comes from measurements that were taken with the filter and cover attached.
- The model number of the AC Axial Fan in the Box Fan can be determined from the model number of the Box Fan as follows:

R87B-FA1A15HPF→R87F-A1A15HP

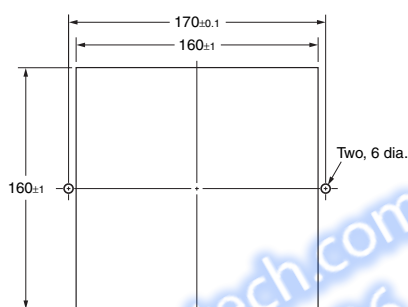
The model number of the Axial Fan can be determined by extracting the underlined portions from the model number of the Box Fan as shown.

Dimensions

(Unit: mm)



Panel Cutout Dimensions



<https://hoplongtech.com>  
HOTLINE: 1900.6536

ALL DIMENSIONS SHOWN ARE IN MILLIMETERS.  
To convert millimeters into inches, multiply by 0.03937. To convert grams into ounces, multiply by 0.03527.

In the interest of product improvement, specifications are subject to change without notice.

# Double Box Fan

# R87B-□A□A15□PF(R)2

## Ratings and Ordering Information

### Airflow Direction: In

| Item<br>Model   | Rated voltage (V) | Permitted voltage fluctuation range (%) | Frequency (Hz) | Rated rotational speed (r/min) * |       | Maximum flow rate (m <sup>3</sup> /min) * |       | Maximum static pressure (Pa) * |       | Noise (dB) * |       | Weight          |
|-----------------|-------------------|-----------------------------------------|----------------|----------------------------------|-------|-------------------------------------------|-------|--------------------------------|-------|--------------|-------|-----------------|
|                 |                   |                                         |                | 50 Hz                            | 60 Hz | 50 Hz                                     | 60 Hz | 50 Hz                          | 60 Hz | 50 Hz        | 60 Hz |                 |
| R87B-FA1A15HPF2 | 100               | 85% to 110% rated voltage               | 50/60          | 2,700                            | 3,100 | 2.6                                       | 3.0   | 86                             | 48    | 55           | 56    | Approx. 2,220 g |
| R87B-FA3A15HPF2 | 115               |                                         |                |                                  |       |                                           |       |                                |       |              |       |                 |
| R87B-FA4A15HPF2 | 200               |                                         |                |                                  |       |                                           |       |                                |       |              |       |                 |
| R87B-FA6A15HPF2 | 230               |                                         |                |                                  |       |                                           |       |                                |       |              |       |                 |
| R87B-FA1A15LPF2 | 100               | 85% to 110% rated voltage               | 50/60          | 2,100                            | 2,200 | 2.0                                       | 2.1   | 47                             | 44    | 45           | 46    |                 |
| R87B-FA3A15LPF2 | 115               |                                         |                |                                  |       |                                           |       |                                |       |              |       |                 |
| R87B-FA4A15LPF2 | 200               |                                         |                |                                  |       |                                           |       |                                |       |              |       |                 |
| R87B-FA6A15LPF2 | 230               |                                         |                |                                  |       |                                           |       |                                |       |              |       |                 |
| R87B-TA1A15HPF2 | 100               | 85% to 110% rated voltage               | 50/60          | 2,650                            | 3,000 | 2.4                                       | 2.7   | 68                             | 63    | 49           | 52    | Approx. 2,260 g |
| R87B-TA3A15HPF2 | 115               |                                         |                |                                  |       |                                           |       |                                |       |              |       |                 |
| R87B-TA4A15HPF2 | 200               |                                         |                |                                  |       |                                           |       |                                |       |              |       |                 |
| R87B-TA6A15HPF2 | 230               |                                         |                |                                  |       |                                           |       |                                |       |              |       |                 |
| R87B-TA1A15MPF2 | 100               | 85% to 110% rated voltage               | 50/60          | 2,300                            | 2,600 | 1.6                                       | 1.9   | 41                             | 43    | 44           | 47    |                 |
| R87B-TA3A15MPF2 | 115               |                                         |                |                                  |       |                                           |       |                                |       |              |       |                 |
| R87B-TA4A15MPF2 | 200               |                                         |                |                                  |       |                                           |       |                                |       |              |       |                 |
| R87B-TA6A15MPF2 | 230               |                                         |                |                                  |       |                                           |       |                                |       |              |       |                 |

Note: An asterisk (\*) indicates a nominal value.

### Airflow Direction: Out

| Item<br>Model    | Rated voltage (V) | Permitted voltage fluctuation range (%) | Frequency (Hz) | Rated rotational speed (r/min) * |       | Maximum flow rate (m <sup>3</sup> /min) * |       | Maximum static pressure (Pa) * |       | Noise (dB) * |       | Weight          |
|------------------|-------------------|-----------------------------------------|----------------|----------------------------------|-------|-------------------------------------------|-------|--------------------------------|-------|--------------|-------|-----------------|
|                  |                   |                                         |                | 50 Hz                            | 60 Hz | 50 Hz                                     | 60 Hz | 50 Hz                          | 60 Hz | 50 Hz        | 60 Hz |                 |
| R87B-FA1A15HPFR2 | 100               | 85% to 110% rated voltage               | 50/60          | 2,700                            | 3,100 | 2.6                                       | 3.0   | 86                             | 48    | 55           | 56    | Approx. 2,220 g |
| R87B-FA3A15HPFR2 | 115               |                                         |                |                                  |       |                                           |       |                                |       |              |       |                 |
| R87B-FA4A15HPFR2 | 200               |                                         |                |                                  |       |                                           |       |                                |       |              |       |                 |
| R87B-FA6A15HPFR2 | 230               |                                         |                |                                  |       |                                           |       |                                |       |              |       |                 |
| R87B-FA1A15LPFR2 | 100               | 85% to 110% rated voltage               | 50/60          | 2,100                            | 2,200 | 2.0                                       | 2.1   | 47                             | 44    | 45           | 46    |                 |
| R87B-FA3A15LPFR2 | 115               |                                         |                |                                  |       |                                           |       |                                |       |              |       |                 |
| R87B-FA4A15LPFR2 | 200               |                                         |                |                                  |       |                                           |       |                                |       |              |       |                 |
| R87B-FA6A15LPFR2 | 230               |                                         |                |                                  |       |                                           |       |                                |       |              |       |                 |
| R87B-TA1A15HPFR2 | 100               | 85% to 110% rated voltage               | 50/60          | 2,650                            | 3,000 | 2.4                                       | 2.7   | 68                             | 63    | 49           | 52    | Approx. 2,260 g |
| R87B-TA3A15HPFR2 | 115               |                                         |                |                                  |       |                                           |       |                                |       |              |       |                 |
| R87B-TA4A15HPFR2 | 200               |                                         |                |                                  |       |                                           |       |                                |       |              |       |                 |
| R87B-TA6A15HPFR2 | 230               |                                         |                |                                  |       |                                           |       |                                |       |              |       |                 |
| R87B-TA1A15MPFR2 | 100               | 85% to 110% rated voltage               | 50/60          | 2,300                            | 2,600 | 1.6                                       | 1.9   | 41                             | 43    | 44           | 47    |                 |
| R87B-TA3A15MPFR2 | 115               |                                         |                |                                  |       |                                           |       |                                |       |              |       |                 |
| R87B-TA4A15MPFR2 | 200               |                                         |                |                                  |       |                                           |       |                                |       |              |       |                 |
| R87B-TA6A15MPFR2 | 230               |                                         |                |                                  |       |                                           |       |                                |       |              |       |                 |

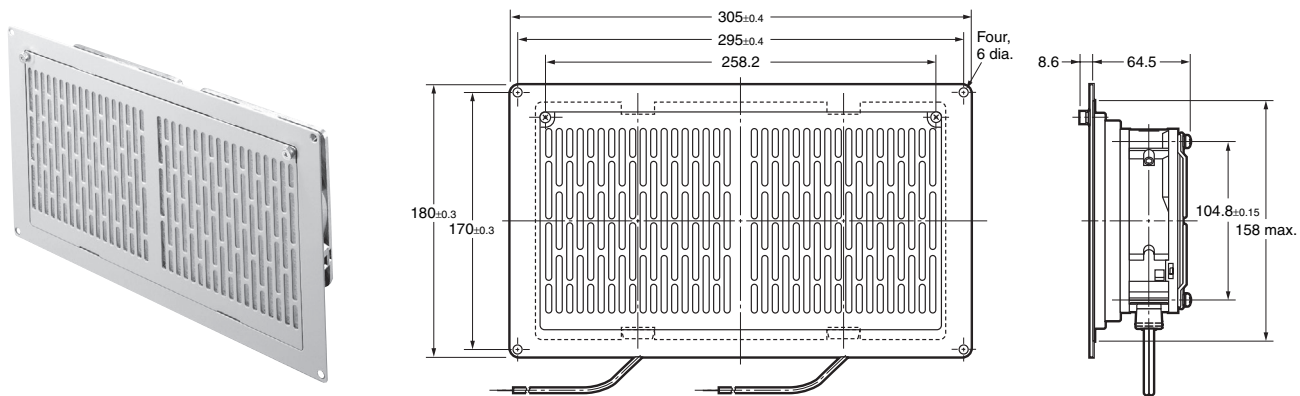
Note: An asterisk (\*) indicates a nominal value.

- The data in this table comes from measurements that were taken with the filter and cover attached.
- The model number of the AC Axial Fan in the Box Fan can be determined from the model number of the Box Fan as follows:

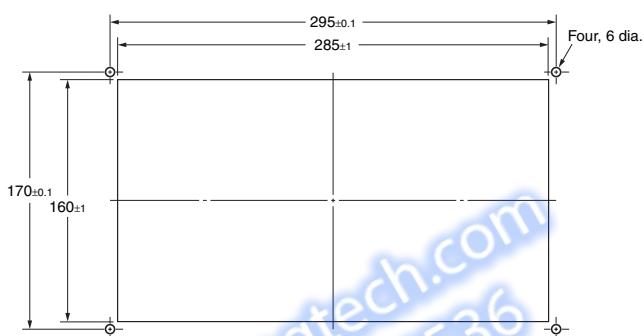
R87B-FA1A15HPF → R87F-A1A15HP

The model number of the Axial Fan can be determined by extracting the underlined portions from the model number of the Box Fan as shown.

# Dimensions



## Panel Cutout Dimensions



<https://hoplongtech.com>  
 HOTLINE: 1900.6536

ALL DIMENSIONS SHOWN ARE IN MILLIMETERS.  
 To convert millimeters into inches, multiply by 0.03937. To convert grams into ounces, multiply by 0.03527.

In the interest of product improvement, specifications are subject to change without notice.

## Ratings and Ordering Information

## Airflow Direction: In

| Item<br>Model   | Rated voltage (V) | Permitted voltage fluctuation range (%) | Frequency (Hz) | Rated rotational speed (r/min) * |       | Maximum flow rate (m <sup>3</sup> /min) * |       | Maximum static pressure (Pa) * |       | Noise (dB) * |       | Weight             |
|-----------------|-------------------|-----------------------------------------|----------------|----------------------------------|-------|-------------------------------------------|-------|--------------------------------|-------|--------------|-------|--------------------|
|                 |                   |                                         |                | 50 Hz                            | 60 Hz | 50 Hz                                     | 60 Hz | 50 Hz                          | 60 Hz | 50 Hz        | 60 Hz |                    |
| R87B-FA1A15HPF3 | 100               | 85% to 110%<br>rated voltage            | 50/60          | 2,700                            | 3,100 | 3.9                                       | 4.5   | 86                             | 56    | 56           | 58    | Approx.<br>3,380 g |
| R87B-FA3A15HPF3 | 115               |                                         |                |                                  |       |                                           |       |                                |       |              |       |                    |
| R87B-FA4A15HPF3 | 200               |                                         |                |                                  |       |                                           |       |                                |       |              |       |                    |
| R87B-FA6A15HPF3 | 230               |                                         |                |                                  |       |                                           |       |                                |       |              |       |                    |
| R87B-FA1A15LPF3 | 100               | 85% to 110%<br>rated voltage            | 50/60          | 2,100                            | 2,200 | 2.9                                       | 3.1   | 42                             | 41    | 47           | 48    |                    |
| R87B-FA3A15LPF3 | 115               |                                         |                |                                  |       |                                           |       |                                |       |              |       |                    |
| R87B-FA4A15LPF3 | 200               |                                         |                |                                  |       |                                           |       |                                |       |              |       |                    |
| R87B-FA6A15LPF3 | 230               |                                         |                |                                  |       |                                           |       |                                |       |              |       |                    |
| R87B-TA1A15HPF3 | 100               | 85% to 110%<br>rated voltage            | 50/60          | 2,650                            | 3,000 | 3.5                                       | 4.0   | 68                             | 63    | 50           | 53    | Approx.<br>3,410 g |
| R87B-TA3A15HPF3 | 115               |                                         |                |                                  |       |                                           |       |                                |       |              |       |                    |
| R87B-TA4A15HPF3 | 200               |                                         |                |                                  |       |                                           |       |                                |       |              |       |                    |
| R87B-TA6A15HPF3 | 230               |                                         |                |                                  |       |                                           |       |                                |       |              |       |                    |
| R87B-TA1A15MPF3 | 100               | 85% to 110%<br>rated voltage            | 50/60          | 2,300                            | 2,600 | 2.4                                       | 2.8   | 41                             | 45    | 45           | 48    |                    |
| R87B-TA3A15MPF3 | 115               |                                         |                |                                  |       |                                           |       |                                |       |              |       |                    |
| R87B-TA4A15MPF3 | 200               |                                         |                |                                  |       |                                           |       |                                |       |              |       |                    |
| R87B-TA6A15MPF3 | 230               |                                         |                |                                  |       |                                           |       |                                |       |              |       |                    |

Note: An asterisk (\*) indicates a nominal value.

## Airflow Direction: Out

| Item<br>Model    | Rated voltage (V) | Permitted voltage fluctuation range (%) | Frequency (Hz) | Rated rotational speed (r/min) * |       | Maximum flow rate (m <sup>3</sup> /min) * |       | Maximum static pressure (Pa) * |       | Noise (dB) * |       | Weight             |
|------------------|-------------------|-----------------------------------------|----------------|----------------------------------|-------|-------------------------------------------|-------|--------------------------------|-------|--------------|-------|--------------------|
|                  |                   |                                         |                | 50 Hz                            | 60 Hz | 50 Hz                                     | 60 Hz | 50 Hz                          | 60 Hz | 50 Hz        | 60 Hz |                    |
| R87B-FA1A15HPFR3 | 100               | 85% to 110%<br>rated voltage            | 50/60          | 2,700                            | 3,100 | 3.9                                       | 4.5   | 86                             | 56    | 56           | 58    | Approx.<br>3,380 g |
| R87B-FA3A15HPFR3 | 115               |                                         |                |                                  |       |                                           |       |                                |       |              |       |                    |
| R87B-FA4A15HPFR3 | 200               |                                         |                |                                  |       |                                           |       |                                |       |              |       |                    |
| R87B-FA6A15HPFR3 | 230               |                                         |                |                                  |       |                                           |       |                                |       |              |       |                    |
| R87B-FA1A15LPFR3 | 100               | 85% to 110%<br>rated voltage            | 50/60          | 2,100                            | 2,200 | 2.9                                       | 3.1   | 42                             | 41    | 47           | 48    |                    |
| R87B-FA3A15LPFR3 | 115               |                                         |                |                                  |       |                                           |       |                                |       |              |       |                    |
| R87B-FA4A15LPFR3 | 200               |                                         |                |                                  |       |                                           |       |                                |       |              |       |                    |
| R87B-FA6A15LPFR3 | 230               |                                         |                |                                  |       |                                           |       |                                |       |              |       |                    |
| R87B-TA1A15HPFR3 | 100               | 85% to 110%<br>rated voltage            | 50/60          | 2,650                            | 3,000 | 3.5                                       | 4.0   | 68                             | 63    | 50           | 53    | Approx.<br>3,410 g |
| R87B-TA3A15HPFR3 | 115               |                                         |                |                                  |       |                                           |       |                                |       |              |       |                    |
| R87B-TA4A15HPFR3 | 200               |                                         |                |                                  |       |                                           |       |                                |       |              |       |                    |
| R87B-TA6A15HPFR3 | 230               |                                         |                |                                  |       |                                           |       |                                |       |              |       |                    |
| R87B-TA1A15MPFR3 | 100               | 85% to 110%<br>rated voltage            | 50/60          | 2,300                            | 2,600 | 2.4                                       | 2.8   | 41                             | 45    | 45           | 48    |                    |
| R87B-TA3A15MPFR3 | 115               |                                         |                |                                  |       |                                           |       |                                |       |              |       |                    |
| R87B-TA4A15MPFR3 | 200               |                                         |                |                                  |       |                                           |       |                                |       |              |       |                    |
| R87B-TA6A15MPFR3 | 230               |                                         |                |                                  |       |                                           |       |                                |       |              |       |                    |

Note: An asterisk (\*) indicates a nominal value.

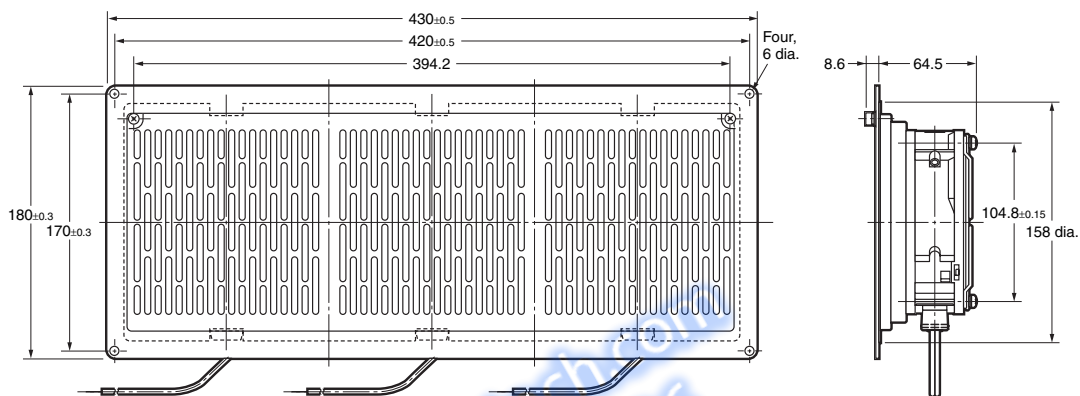
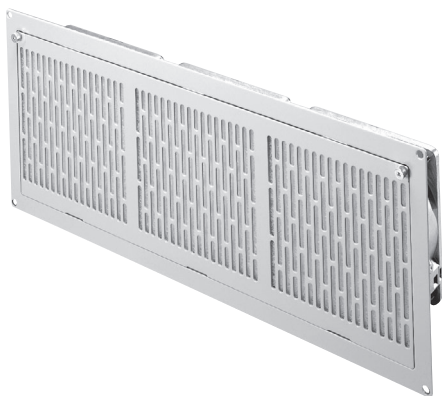
- The data in this table comes from measurements that were taken with the filter and cover attached.
- The model number of the AC Axial Fan in the Box Fan can be determined from the model number of the Box Fan as follows:

R87B-FA1A15HPF → R87F-A1A15HP

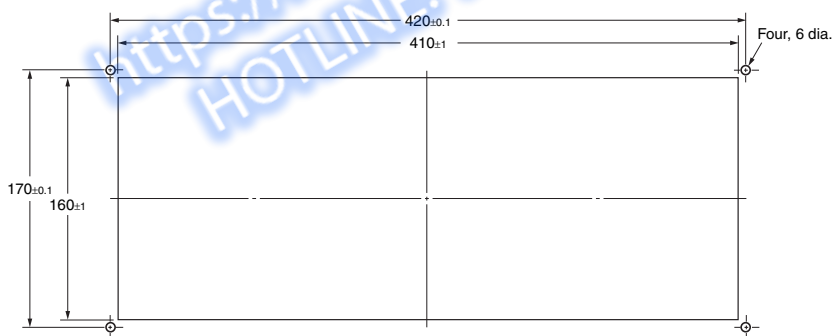
The model number of the Axial Fan can be determined by extracting the underlined portions from the model number of the Box Fan as shown.

Dimensions

(Unit: mm)



Panel Cutout Dimensions



ALL DIMENSIONS SHOWN ARE IN MILLIMETERS.  
To convert millimeters into inches, multiply by 0.03937. To convert grams into ounces, multiply by 0.03527.

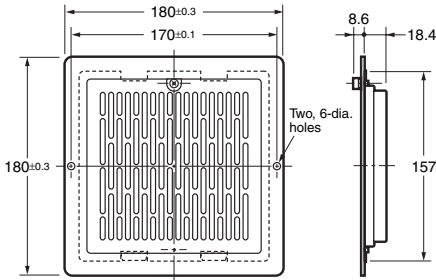
In the interest of product improvement, specifications are subject to change without notice.



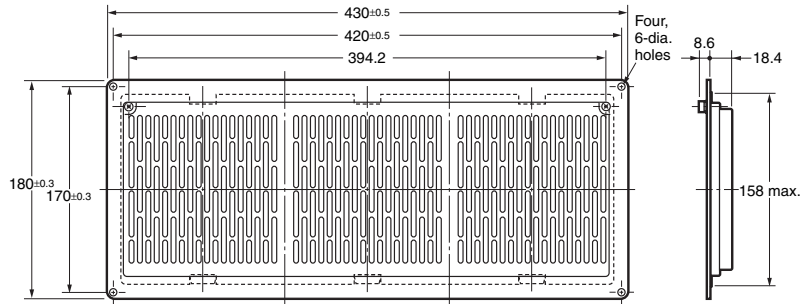
# R87B-N□/R87B-PF

## R87B-N□ (Attachment)

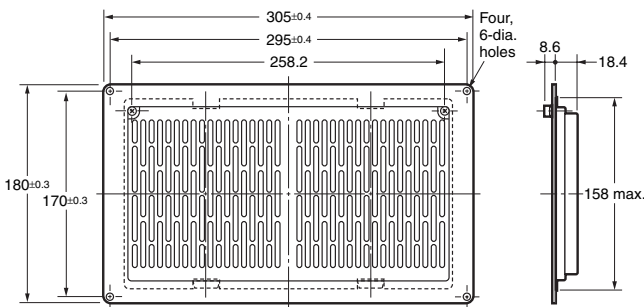
### Single Box



### Triple Box



### Double Box

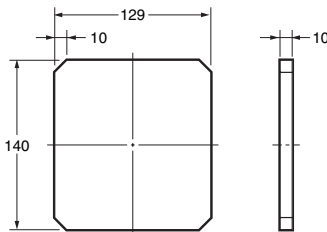


### Ratings and Ordering Information

| Model   | Item | Type   | Weight          |
|---------|------|--------|-----------------|
| R87B-N  |      | Single | Approx. 570 g   |
| R87B-N2 |      | Double | Approx. 1,100 g |
| R87B-N3 |      | Triple | Approx. 1,700 g |

**Note:** The panel cut-out dimensions are the same as those for the Box Fan.

## R87B-PF01 (Replacement Filter)



### Ratings and Ordering Information

| Model     | Item | Qty. | Weight (grams per filter) |
|-----------|------|------|---------------------------|
| R87B-PF01 |      | 2    | 6                         |

### Filter Performance

| Heat resistance (°C) | Filtration wind velocity (m/s) | Pressure drop (Pa) |       | Dust removal (%) | Dust suction amount (g/mm <sup>2</sup> ) |
|----------------------|--------------------------------|--------------------|-------|------------------|------------------------------------------|
|                      |                                | Initial            | Final |                  |                                          |
| 100                  | 2.5                            | 49                 | 70    | 70 min.          | 300                                      |

- Pay careful attention to clogging in the filter. A clogged filter will prevent the Fan from providing a cooling effect.

### Replacing the Filter

1. Turn OFF the power, wait approximately one minute, and then open the cover. Remove the filter, replace it with a new filter, close the cover, and then firmly tighten the handle screw. This completes the filter replacement.
2. As a general guide to the replacement frequency, check the color of the filter regularly and replace it when the color shows a noticeable change.
3. It is recommended that the filter be replaced soon after the color changes noticeably in order to maintain the Fan's performance. (Replacement Filter: R87B-PF01)

## Accessories

| Model              | Item                  | Mounting bolts (M4) | Hexagonal nuts (M4) | Plain washers | Spring washers | Cable with plug | Finger Guard (See note.) | Filter (See note.) |
|--------------------|-----------------------|---------------------|---------------------|---------------|----------------|-----------------|--------------------------|--------------------|
| R87B-□A□A1□□PF(R)  | (Single, with fan)    | 2                   | 2                   | 4             | 2              | 1               | 2                        | 1                  |
| R87B-□A□A1□□PF(R)2 | (Double, with fan)    | 4                   | 4                   | 8             | 4              | 2               | 4                        | 2                  |
| R87B-□A□A1□□PF(R)3 | (Triple, with fan)    | 4                   | 4                   | 8             | 4              | 3               | 6                        | 3                  |
| R87B-N             | (Single, without fan) | 2                   | 2                   | 4             | 2              | None            | 1                        | 1                  |
| R87B-N2            | (Double, without fan) | 4                   | 4                   | 8             | 4              | None            | 2                        | 2                  |
| R87B-N3            | (Triple, without fan) | 4                   | 4                   | 8             | 4              | None            | 3                        | 3                  |

**Note:** The Finger Guard and Filter are to be assembled into the Box Fan.

<https://hoplongtech.com>  
HOTLINE: 1900.6536

ALL DIMENSIONS SHOWN ARE IN MILLIMETERS.  
To convert millimeters into inches, multiply by 0.03937. To convert grams into ounces, multiply by 0.03527.

In the interest of product improvement, specifications are subject to change without notice.

## Terms and Conditions Agreement

### Read and understand this catalog.

Please read and understand this catalog before purchasing the products. Please consult your OMRON representative if you have any questions or comments.

### Warranties.

(a) Exclusive Warranty. Omron's exclusive warranty is that the Products will be free from defects in materials and workmanship for a period of twelve months from the date of sale by Omron (or such other period expressed in writing by Omron). Omron disclaims all other warranties, express or implied.

(b) Limitations. OMRON MAKES NO WARRANTY OR REPRESENTATION, EXPRESS OR IMPLIED, ABOUT NON-INFRINGEMENT, MERCHANTABILITY OR FITNESS FOR A PARTICULAR PURPOSE OF THE PRODUCTS. BUYER ACKNOWLEDGES THAT IT ALONE HAS DETERMINED THAT THE PRODUCTS WILL SUITABLY MEET THE REQUIREMENTS OF THEIR INTENDED USE.

Omron further disclaims all warranties and responsibility of any type for claims or expenses based on infringement by the Products or otherwise of any intellectual property right. (c) Buyer Remedy. Omron's sole obligation hereunder shall be, at Omron's election, to (i) replace (in the form originally shipped with Buyer responsible for labor charges for removal or replacement thereof) the non-complying Product, (ii) repair the non-complying Product, or (iii) repay or credit Buyer an amount equal to the purchase price of the non-complying Product; provided that in no event shall Omron be responsible for warranty, repair, indemnity or any other claims or expenses regarding the Products unless Omron's analysis confirms that the Products were properly handled, stored, installed and maintained and not subject to contamination, abuse, misuse or inappropriate modification. Return of any Products by Buyer must be approved in writing by Omron before shipment. Omron Companies shall not be liable for the suitability or unsuitability or the results from the use of Products in combination with any electrical or electronic components, circuits, system assemblies or any other materials or substances or environments. Any advice, recommendations or information given orally or in writing, are not to be construed as an amendment or addition to the above warranty.

See <http://www.omron.com/global/> or contact your Omron representative for published information.

### Limitation on Liability; Etc.

OMRON COMPANIES SHALL NOT BE LIABLE FOR SPECIAL, INDIRECT, INCIDENTAL, OR CONSEQUENTIAL DAMAGES, LOSS OF PROFITS OR PRODUCTION OR COMMERCIAL LOSS IN ANY WAY CONNECTED WITH THE PRODUCTS, WHETHER SUCH CLAIM IS BASED IN CONTRACT, WARRANTY, NEGLIGENCE OR STRICT LIABILITY.

Further, in no event shall liability of Omron Companies exceed the individual price of the Product on which liability is asserted.

### Suitability of Use.

Omron Companies shall not be responsible for conformity with any standards, codes or regulations which apply to the combination of the Product in the Buyer's application or use of the Product. At Buyer's request, Omron will provide applicable third party certification documents identifying ratings and limitations of use which apply to the Product. This information by itself is not sufficient for a complete determination of the suitability of the Product in combination with the end product, machine, system, or other application or use. Buyer shall be solely responsible for determining appropriateness of the particular Product with respect to Buyer's application, product or system. Buyer shall take application responsibility in all cases.

NEVER USE THE PRODUCT FOR AN APPLICATION INVOLVING SERIOUS RISK TO LIFE OR PROPERTY OR IN LARGE QUANTITIES WITHOUT ENSURING THAT THE SYSTEM AS A WHOLE HAS BEEN DESIGNED TO ADDRESS THE RISKS, AND THAT THE OMRON PRODUCT(S) IS PROPERLY RATED AND INSTALLED FOR THE INTENDED USE WITHIN THE OVERALL EQUIPMENT OR SYSTEM.

### Programmable Products.

Omron Companies shall not be responsible for the user's programming of a programmable Product, or any consequence thereof.

### Performance Data.

Data presented in Omron Company websites, catalogs and other materials is provided as a guide for the user in determining suitability and does not constitute a warranty. It may represent the result of Omron's test conditions, and the user must correlate it to actual application requirements. Actual performance is subject to the Omron's Warranty and Limitations of Liability.

### Change in Specifications.

Product specifications and accessories may be changed at any time based on improvements and other reasons. It is our practice to change part numbers when published ratings or features are changed, or when significant construction changes are made. However, some specifications of the Product may be changed without any notice. When in doubt, special part numbers may be assigned to fix or establish key specifications for your application. Please consult with your Omron's representative at any time to confirm actual specifications of purchased Product.

### Errors and Omissions.

Information presented by Omron Companies has been checked and is believed to be accurate; however, no responsibility is assumed for clerical, typographical or proofreading errors or omissions.

2016.4

In the interest of product improvement, specifications are subject to change without notice.

**OMRON Corporation**  
Industrial Automation Company

<http://www.ia.omron.com/>

(c)Copyright OMRON Corporation 2016 All Right Reserved.