

Switch Mode Power Supply

S8EX (15, 30, 50, 100, 150, and 240-W Models)

Newly Released High-capacity 240-W Models in S8EX-series Lineup

Rated Output of 300 W for 200 VAC.*

* From 170 to 264 VAC.

New 240-W Models

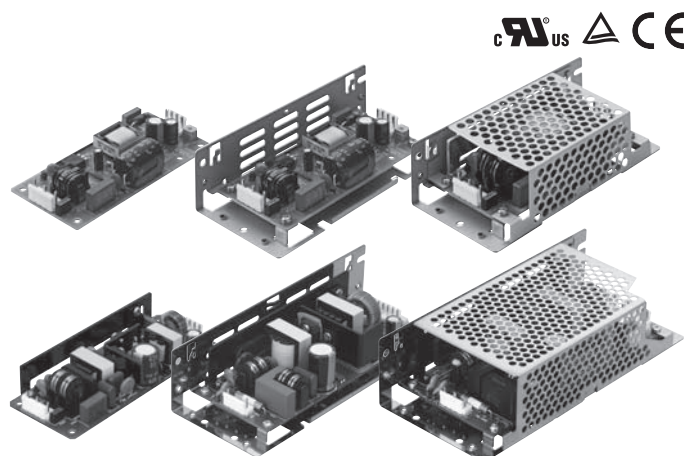
- Lineup of models with 24-, 36-, and 48-VDC output voltages.

15-W, 35-W, 50-W, 100-W, and 150-W Models

- Lineup of models with from 5 to 48-VDC output voltages.

All Models

- Approved standards: UL60950-1, cUR CSA C22.2 No. 60950-1, EN 50178, and EN 60950-1
- Lineup includes open-frame models, models with chassis, and models with chassis and covers.
- Wide-range power supply: 100 to 240 VAC
- Complies with harmonic current standard in EN 61000-3-2 (50-W to 240-W models).
- The top class in industry for compact size.
- Boost current output (some models excluded).



For the most recent information on models that have been certified for safety standards, refer to your OMRON website.

 Refer to *Safety Precautions* on page 21.

Model Number Structure

Model Number Legend

Note: Not all combinations are possible. Refer to *List of Models* in *Ordering Information* on page 2.

S8EX-□□□□□□□□-□□□□-□□
 1 2 3 4 5 6 7 8

1. Power Boost Function

- Blank: None
- B: Power boost for output current

2. Power Factor Improvement Function

- N: None
- P: Power factor improvement function provided *
- * Harmonic current standard: EN 61000-3-2 compliant.

3. Power Ratings

- 015: 15 W
- 030: 30 W
- 050: 50 W
- 100: 100 W
- 150: 150 W
- 240: 240 W

4. Output Voltage

- 05: 5 V
- 12: 12 V
- 15: 15 V
- 24: 24 V
- 36: 36 V
- 48: 48 V

5. Configuration

- None: Open-frame
- L: With chassis
- LC: With chassis and cover

6. Option 1

- None: Standard model
- CN1: XH connector (manufactured by J.S.T. Mfg. Co., Ltd.) *
- * This option is applicable only for 15-W models.

7. Option 2

- None: Standard model
- R: Remote control *
- * This option is applicable only for 50-W, 100-W, 150-W, and 240-W models.
- * This option is applicable only for open-frame models.

8. Option 3

- None: Standard model
- C: Coating (one side) *
- * This option is applicable only for open-frame models.

S8EX

Ordering Information

List of Models

Note: For details on normal stock models, contact your nearest OMRON representative.

| Configuration | Input voltage | Power ratings | Output voltage | Output current | Boost current | Model | | |
|---------------|----------------|---------------|----------------|------------------------------------|----------------------------------|---------------|---------------|--------------|
| Open-frame | 100 to 240 VAC | 15 W | 5 V | 3 A | --- | S8EX-N01505 | | |
| | | | 12 V | 1.3 A | | S8EX-N01512 | | |
| | | | 15 V | 1 A | | S8EX-N01515 | | |
| | | | 24 V | 0.7 A | | S8EX-N01524 | | |
| | | | 48 V | 0.32 A | | S8EX-N01548 | | |
| | | 30 W | 5 V | 6 A | --- | S8EX-N03005 | | |
| | | | 12 V | 2.5 A | | S8EX-N03012 | | |
| | | | 15 V | 2 A | | S8EX-N03015 | | |
| | | | 24 V | 1.3 A | | S8EX-N03024 | | |
| | | | 48 V | 0.65 A | | S8EX-N03048 | | |
| | | 50 W | 5 V | 10 A | 15 A | S8EX-BP05005 | | |
| | | | 12 V | 4.3 A | 6.5 A | S8EX-BP05012 | | |
| | | | 24 V | 2.1 A | 4.2 A | S8EX-BP05024 | | |
| | | | 48 V | 1.1 A | 2.2 A | S8EX-BP05048 | | |
| | | 100 W | 5 V | 20 A | --- | S8EX-P10005 | | |
| | | | 12 V | 8.5 A | 12.8 A | S8EX-BP10012 | | |
| | | | 24 V | 4.3 A | 8.6 A | S8EX-BP10024 | | |
| | | | 48 V | 2.1 A | 4.2 A | S8EX-BP10048 | | |
| | | 150 W | 5 V | 30 A | --- | S8EX-P15005 | | |
| | | | 12 V | 12.5 A | 18.8 A | S8EX-BP15012 | | |
| | | | 24 V | 6.3 A | 12.6 A | S8EX-BP15024 | | |
| | | 240 W | 48 V | 3.2 A | 6.4 A | S8EX-BP15048 | | |
| | | | 24 V | 10 A (100 VAC) 12.5 A (200 VAC) | 20 A | S8EX-BP24024 | | |
| | | | 36 V | 6.7 A (100 VAC) 8.4 A (200 VAC) | 13.4 A | S8EX-BP24036 | | |
| | | | | 48 V | 5 A (100 VAC) 6.3 A (200 VAC) | 10 A | S8EX-BP24048 | |
| | | With chassis | 100 to 240 VAC | 15 W | 5 V | 3 A | --- | S8EX-N01505L |
| | | | | | 12 V | 1.3 A | | S8EX-N01512L |
| | | | | | 15 V | 1 A | | S8EX-N01515L |
| | | | | | 24 V | 0.7 A | | S8EX-N01524L |
| | | | | | 48 V | 0.32 A | | S8EX-N01548L |
| 30 W | 5 V | | | 6 A | --- | S8EX-N03005L | | |
| | 12 V | | | 2.5 A | | S8EX-N03012L | | |
| | 15 V | | | 2 A | | S8EX-N03015L | | |
| | 24 V | | | 1.3 A | | S8EX-N03024L | | |
| | 48 V | | | 0.65 A | | S8EX-N03048L | | |
| 50 W | 5 V | | | 10 A | 15 A | S8EX-BP05005L | | |
| | 12 V | | | 4.3 A | 6.5 A | S8EX-BP05012L | | |
| | 24 V | | | 2.1 A | 4.2 A | S8EX-BP05024L | | |
| | 48 V | | | 1.1 A | 2.2 A | S8EX-BP05048L | | |
| 100 W | 5 V | | | 20 A | --- | S8EX-P10005L | | |
| | 12 V | | | 8.5 A | 12.8 A | S8EX-BP10012L | | |
| | 24 V | | | 4.3 A | 8.6 A | S8EX-BP10024L | | |
| | 48 V | | | 2.1 A | 4.2 A | S8EX-BP10048L | | |
| 150 W | 5 V | | | 30 A | --- | S8EX-P15005L | | |
| | 12 V | | | 12.5 A | 18.8 A | S8EX-BP15012L | | |
| | 24 V | | | 6.3 A | 12.6 A | S8EX-BP15024L | | |
| 240 W | 48 V | | | 3.2 A | 6.4 A | S8EX-BP15048L | | |
| | 24 V | | | 10 A (100 VAC) 12.5 A (200 VAC) | 20 A | S8EX-BP24024L | | |
| | 36 V | | | 6.7 A (100 VAC) 8.4 A (200 VAC) | 13.4 A | S8EX-BP24036L | | |
| | | | | 48 V | 5 A (100 VAC) 6.3 A (200 VAC) | 10 A | S8EX-BP24048L | |

| Configuration | Input voltage | Power ratings | Output voltage | Output current | Boost current | Model |
|------------------------|----------------|---------------|----------------|------------------------------------|---------------|----------------|
| With chassis and cover | 100 to 240 VAC | 15 W | 5 V | 3 A | --- | S8EX-N01505LC |
| | | | 12 V | 1.3 A | | S8EX-N01512LC |
| | | | 15 V | 1 A | | S8EX-N01515LC |
| | | | 24 V | 0.7 A | | S8EX-N01524LC |
| | | | 48 V | 0.32 A | | S8EX-N01548LC |
| | | 30 W | 5 V | 6 A | --- | S8EX-N03005LC |
| | | | 12 V | 2.5 A | | S8EX-N03012LC |
| | | | 15 V | 2 A | | S8EX-N03015LC |
| | | | 24 V | 1.3 A | | S8EX-N03024LC |
| | | | 48 V | 0.65 A | | S8EX-N03048LC |
| | | 50 W | 5 V | 10 A | 15 A | S8EX-BP05005LC |
| | | | 12 V | 4.3 A | 6.5 A | S8EX-BP05012LC |
| | | | 24 V | 2.1 A | 4.2 A | S8EX-BP05024LC |
| | | | 48 V | 1.1 A | 2.2 A | S8EX-BP05048LC |
| | | 100 W | 5 V | 20 A | --- | S8EX-P10005LC |
| | | | 12 V | 8.5 A | 12.8 A | S8EX-BP10012LC |
| | | | 24 V | 4.3 A | 8.6 A | S8EX-BP10024LC |
| | | | 48 V | 2.1 A | 4.2 A | S8EX-BP10048LC |
| | | 150 W | 5 V | 30 A | --- | S8EX-P15005LC |
| | | | 12 V | 12.5 A | 18.8 A | S8EX-BP15012LC |
| | | | 24 V | 6.3 A | 12.6 A | S8EX-BP15024LC |
| | | | 48 V | 3.2 A | 6.4 A | S8EX-BP15048LC |
| | | 240 W | 24 V | 10 A (100 VAC) 12.5 A (200 VAC) | 20 A | S8EX-BP24024LC |
| | | | 36 V | 6.7 A (100 VAC) 8.4 A (200 VAC) | 13.4 A | S8EX-BP24036LC |
| | | | 48 V | 5 A (100 VAC) 6.3 A (200 VAC) | 10 A | S8EX-BP24048LC |

Ratings, Characteristics, and Functions

| Item | Power ratings | | 15 W | | | | | |
|-----------------------|---------------------------------|---|---|---|-------------|-------------|-------------|--|
| | Output voltage | | 5 V | 12 V | 15 V | 24 V | 48 V | |
| Efficiency (Typ.) | 100 VAC input | | 74% | 77% | 80% | 80% | 83% | |
| | 200 VAC input | | 74% | 77% | 78% | 78% | 82% | |
| Input | Voltage *1 | | 100 to 240 VAC (allowable voltage: 85 to 264 VAC or 120 to 370 VDC *6) | | | | | |
| | Frequency *1 | | 50/60 Hz (47 to 450 Hz) | | | | | |
| | Current (Typ.) | 100 VAC input | 0.4 A | | | | | |
| | | 200 VAC input | 0.25 A | | | | | |
| | Leakage current | 100 VAC input | 0.5 mA max. | | | | | |
| | | 200 VAC input | 1 mA max. | | | | | |
| Inrush current (Typ.) | 100 VAC input | 15 A (for a cold start at 25°C) | | | | | | |
| | 200 VAC input | 30 A (for a cold start at 25°C) | | | | | | |
| Output | Voltage adjustment range *2 | | ±10% (with V. ADJ) | | | | | |
| | Ripple *3 | | 150 mV max. | 240 mV max. | 300 mV max. | 480 mV max. | 960 mV max. | |
| | Input variation influence | | 0.5% max. (with 85 to 264 VAC input at 100% load) | | | | | |
| | Load variation influence | | 2% max. (0 to 100% load, rated input voltage) | 1.5% max. (0 to 100% load, rated input voltage) | | | | |
| | Temperature variation influence | | 0.05%/°C max. | | | | | |
| | Startup time (Typ.) | 100 VAC input | 800 ms | | | | | |
| | Hold time (Typ.) | 100 VAC input | 20 ms | | | | | |
| Additional functions | Overload protection | | 105% to 160% of rated current, voltage drop, intermittent, and automatic reset | | | | | |
| | Overvoltage protection *4 | | Yes | | | | | |
| | Series operation | | Yes (For up to two Power Supplies; external diodes required.) | | | | | |
| | Parallel operation | | No (However, backup operation is possible; external diodes required.) | | | | | |
| Other | Ambient operating temperature | | -10 to 70°C (Derating is required according to the temperature.) (with no icing or condensation) | | | | | |
| | Storage temperature | | -25 to 75°C (with no icing or condensation) | | | | | |
| | Ambient operating humidity | | 25% to 85% (Storage humidity: 25% to 90%) | | | | | |
| | Dielectric strength | | 3.0 kVAC for 1 min. (between all inputs and outputs; detection current: 20 mA) 2.0 kVAC for 1 min. (between all inputs and PE; detection current: 20 mA) 1.0 kVAC for 1 min. (between all outputs and PE; detection current: 20 mA) | | | | | |
| | Insulation resistance | | 100 MΩ min. (between all outputs and all inputs/PE terminal) at 500 VDC | | | | | |
| | Vibration resistance | | 10 to 55 Hz, 19.6 m/s ² (2 G) for 1 h each in X, Y, and Z directions | | | | | |
| | Shock resistance | | 196.1 m/s ² , 3 times each in ±X, ±Y, ±Z directions | | | | | |
| | EMI | Conducted Emissions | | Conforms to EN 55011 Group 1 Class B *7 | | | | |
| | | Radiated Emissions | | Conforms to EN 55011 Group 1 Class B *7 | | | | |
| | EMS | Electrostatic Discharge | | Conforms to EN61000-4-2 | | | | |
| | | Radiated Electromagnetic Field | | Conforms to EN61000-4-3 | | | | |
| | | Electrical Fast Transient/Burst | | Conforms to EN61000-4-4 | | | | |
| | | Surge | | Conforms to EN61000-4-5 | | | | |
| | | Conducted Disturbance | | Conforms to EN61000-4-6 | | | | |
| | | Voltage Dips/Short Interruptions | | Conforms to EN61000-4-11 | | | | |
| Approved standards | | UL UR: UL 60950-1 (Recognition) cUR: CSA C22.2 No. 60950-1 EN: EN50178, EN60950-1 | | | | | | |
| SEMI | | SEMI F47-0706 (at 200 VAC) | | | | | | |
| Weight *5 | | 70 g max. (without chassis and cover) | | | | | | |

- *1. Do not use an inverter output for the Power Supply. Inverters with an output frequency of 50/60 Hz are available, but the rise in the internal temperature of the Power Supply may result in ignition or burning.
- *2. If the output voltage adjuster (V. ADJ) is turned, the voltage will increase by +10% of the allowable voltage range. When adjusting the output voltage, confirm the actual output voltage from the Power Supply and be sure that load is not damaged.
- *3. Rated input voltage: 100 or 200 VAC at 100% load.
The measurement method is based on JEITA standard RC-9131A.
For details, refer to *Ripple Noise Voltage* on page 24.
- *4. To reset the protection after power is shut off, turn OFF the input power for three minutes or longer and then turn it back ON.
- *5. The weight is for an open-frame model.
- *6. The range for compliance with EC Directives and safety standards (UL, EN, etc.) is 100 to 240 VAC (85 to 264 VAC).
- *7. Class B compliance was met with an aluminum plate placed under the Power Supply.

| Item | | Power ratings | | 30 W | | | | | |
|-----------------------|---------------------------------|---|---|---|---|-------------|-------------|------|--|
| | | Output voltage | | 5 V | 12 V | 15 V | 24 V | 48 V | |
| Efficiency (Typ.) | | 100 VAC input | | 77% | 82% | 83% | 85% | 85% | |
| | | 200 VAC input | | 79% | 83% | 83% | 86% | 86% | |
| Input | Voltage *1 | | 100 to 240 VAC (allowable voltage: 85 to 264 VAC, 120 to 370 VDC *6) | | | | | | |
| | Frequency *1 | | 50/60 Hz (47 to 450 Hz) | | | | | | |
| | Current (Typ.) | 100 VAC input | | 0.7 A | | | | | |
| | | 200 VAC input | | 0.4 A | | | | | |
| | Leakage current | 100 VAC input | | 0.5 mA max. | | | | | |
| | | 200 VAC input | | 1mA max. | | | | | |
| Inrush current (Typ.) | 100 VAC input | | 15 A (for a cold start at 25°C) | | | | | | |
| | 200 VAC input | | 30 A (for a cold start at 25°C) | | | | | | |
| Output | Voltage adjustment range *2 | | ±10% (with V. ADJ) | | | | | | |
| | Ripple *3 | | 150 mV max. | 240 mV max. | 300 mV max. | 480 mV max. | 960 mV max. | | |
| | Input variation influence | | 0.5% max. (with 85 to 264 VAC input at 100% load) | | | | | | |
| | Load variation influence | | 2% max. (0 to 100% load, rated input voltage) | | 1.5% max. (0 to 100% load, rated input voltage) | | | | |
| | Temperature variation influence | | 0.05%/°C max. | | | | | | |
| | Startup time (Typ.) | 100 VAC input | | 800 ms | | | | | |
| | Hold time (Typ.) | 100 VAC input | | 20 ms | | | | | |
| Additional functions | Overload protection | | 105% to 160% of rated current, voltage drop, intermittent, automatic reset | | | | | | |
| | Overvoltage protection *4 | | Yes | | | | | | |
| | Series operation | | Yes (For up to two Power Supplies; external diodes required.) | | | | | | |
| | Parallel operation | | No (However, backup operation is possible; external diodes required.) | | | | | | |
| Other | Ambient operating temperature | | -10 to 70°C (Derating is required according to the temperature.) (with no icing or condensation) | | | | | | |
| | Storage temperature | | -25 to 75°C (with no icing or condensation) | | | | | | |
| | Ambient operating humidity | | 25% to 85% (Storage humidity: 25% to 90%) | | | | | | |
| | Dielectric strength | | 3.0 kVAC for 1 min. (between all inputs and outputs; detection current: 20 mA) 2.0 kVAC for 1 min. (between all inputs and PE; detection current: 20 mA) 1.0 kVAC for 1 min. (between all outputs and PE; detection current: 20 mA) | | | | | | |
| | Insulation resistance | | 100 MΩ min. (between all outputs and all inputs/PE terminal) at 500 VDC | | | | | | |
| | Vibration resistance | | 10 to 55 Hz, 19.6 m/s ² (2 G) for 1 h each in X, Y, and Z directions | | | | | | |
| | Shock resistance | | 196.1 m/s ² , 3 times each in ±X, ±Y, ±Z directions | | | | | | |
| | EMI | Conducted Emissions | | Conforms to EN 55011 Group 1 Class B *7 | | | | | |
| | | Radiated Emissions | | Conforms to EN 55011 Group 1 Class B *7 | | | | | |
| | EMS | Electrostatic Discharge | | Conforms to EN61000-4-2 | | | | | |
| | | Radiated Electromagnetic Field | | Conforms to EN61000-4-3 | | | | | |
| | | Electrical Fast Transient/Burst | | Conforms to EN61000-4-4 | | | | | |
| | | Surge | | Conforms to EN61000-4-5 | | | | | |
| | | Conducted Disturbance | | Conforms to EN61000-4-6 | | | | | |
| | | Voltage Dips/Short Interruptions | | Conforms to EN61000-4-11 | | | | | |
| Approved standards | | UL UR: UL 60950-1 (Recognition) cUR: CSA C22.2 No. 60950-1 EN: EN50178, EN60950-1 | | | | | | | |
| SEMI | | SEMI F47-0706 (at 200 VAC) | | | | | | | |
| Weight *5 | | 110 g max. (without chassis and cover) | | | | | | | |

- *1. Do not use an inverter output for the Power Supply. Inverters with an output frequency of 50/60 Hz are available, but the rise in the internal temperature of the Power Supply may result in ignition or burning.
- *2. If the output voltage adjuster (V. ADJ) is turned, the voltage will increase by +10% of the allowable voltage range. When adjusting the output voltage, confirm the actual output voltage from the Power Supply and be sure that load is not damaged.
- *3. Rated input voltage: 100 or 200 VAC at 100% load.
The measurement method is based on JEITA standard RC-9131A.
For details, refer to *Ripple Noise Voltage* on page 24.
- *4. To reset the protection after power is shut off, turn OFF the input power for three minutes or longer and then turn it back ON.
- *5. The weight is for an open-frame model.
- *6. The range for compliance with EC Directives and safety standards (UL, EN, etc.) is 100 to 240 VAC (85 to 264 VAC).
- *7. Class B compliance was met with an aluminum plate placed under the Power Supply.

| Item | Power ratings | | 50 W | | | |
|-----------------------|---------------------------------|---|---|---|-------------|-------------|
| | Output voltage | | 5 V | 12 V | 24 V | 48 V |
| Efficiency (Typ.) | 100 VAC input | | 79% | 83% | 82% | 82% |
| | 200 VAC input | | 81% | 86% | 85% | 85% |
| Input | Voltage *1 | | 100 to 240 VAC (allowable voltage: 85 to 264 VAC, 120 to 370 VDC *6) | | | |
| | Frequency *1 | | 50/60 Hz (47 to 63 Hz) | | | |
| | Current (Typ.) | 100 VAC input | 0.65 A | | | |
| | | 200 VAC input | 0.35 A | | | |
| | Power factor (rate, 100% load) | | 0.9 min. | | | |
| | Harmonic current emissions | | Conforms to EN 61000-3-2 Class A. | | | |
| | Leakage current | 100 VAC input | 0.5 mA max. | | | |
| | | 200 VAC input | 1 mA max. | | | |
| Inrush current (Typ.) | 100 VAC input | 14.1 A max. (for a cold start at 25°C) | | | | |
| | 200 VAC input | 28.3 A max. (for a cold start at 25°C) | | | | |
| Output | Voltage adjustment range *2 | | ±10% (with V. ADJ) | | | |
| | Ripple *3 | | 150 mV max. | 240 mV max. | 480 mV max. | 960 mV max. |
| | Input variation influence | | 0.5% max. (with 85 to 264 VAC input at 100% load) | | | |
| | Load variation influence | | 2% max. (0 to 100% load, rated input voltage) | 1.5% max. (0 to 100% load, rated input voltage) | | |
| | Temperature variation influence | | 0.05%/°C max. | | | |
| | Startup time (Typ.) | 100 VAC input | 440 ms | 460 ms | 500 ms | 460 ms |
| | Hold time (Typ.) | 100 VAC input | 25 ms | 20 ms | 23 ms | 22 ms |
| Additional functions | Overload protection | | 100% to 110% of rated load current, voltage drop, intermittent, automatic reset | | | |
| | Overvoltage protection *4 | | Yes | | | |
| | Series operation | | Yes (For up to two Power Supplies.) | | | |
| | Parallel operation | | No (However, backup operation is possible; external diodes required.) | | | |
| | Remote control | | Yes (Only for models with remote control option.) | | | |
| Other | Ambient operating temperature | | -10 to 70°C (Derating is required according to the temperature.) (with no icing or condensation) | | | |
| | Storage temperature | | -25 to 75°C (with no icing or condensation) | | | |
| | Ambient operating humidity | | 25% to 85% (Storage humidity: 25% to 90%) | | | |
| | Dielectric strength | | 3.0 kVAC for 1 min. (between all inputs and outputs; detection current: 20 mA) 2.0 kVAC for 1 min. (between all inputs and PE; detection current: 20 mA) 1.0 kVAC for 1 min. (between all outputs and PE; detection current: 20 mA) | | | |
| | Insulation resistance | | 100 MΩ min. (between all outputs and all inputs/PE terminal) at 500 VDC | | | |
| | Vibration resistance | | 10 to 55 Hz, 19.6 m/s ² (2 G) for 1 h each in X, Y, and Z directions | | | |
| | Shock resistance | | 196.1 m/s ² , 3 times each in ±X, ±Y, ±Z directions | | | |
| | EMI | Conducted Emissions | | Conforms to EN 55011 Group 1 Class B *7 | | |
| | | Radiated Emissions | | Conforms to EN 55011 Group 1 Class B *7 | | |
| | EMS | Electrostatic Discharge | | Conforms to EN61000-4-2 | | |
| | | Radiated Electromagnetic Field | | Conforms to EN61000-4-3 | | |
| | | Electrical Fast Transient/Burst | | Conforms to EN61000-4-4 | | |
| | | Surge | | Conforms to EN61000-4-5 | | |
| | | Conducted Disturbance | | Conforms to EN61000-4-6 | | |
| | | Voltage Dips/Short Interruptions | | Conforms to EN61000-4-11 | | |
| Approved standards | | UL UR: UL 60950-1 (Recognition) cUR: CSA C22.2 No. 60950-1 EN: EN50178, EN60950-1 | | | | |
| SEMI | | SEMI F47-0706 (at 200 VAC) | | | | |
| Weight *5 | | 150 g max. (without chassis and cover) | | | | |

- *1. Do not use an inverter output for the Power Supply. Inverters with an output frequency of 50/60 Hz are available, but the rise in the internal temperature of the Power Supply may result in ignition or burning.
- *2. If the output voltage adjuster (V. ADJ) is turned, the voltage will increase by +10% of the allowable voltage range. When adjusting the output voltage, confirm the actual output voltage from the Power Supply and be sure that load is not damaged.
- *3. Rated input voltage: 100 or 200 VAC at 100% load.
The measurement method is based on JEITA standard RC-9131A.
For details, refer to *Ripple Noise Voltage* on page 24.
- *4. To reset the protection after power is shut off, turn OFF the input power for three minutes or longer and then turn it back ON.
- *5. The weight is for an open-frame model.
- *6. The range for compliance with EC Directives and safety standards (UL, EN, etc.) is 100 to 240 VAC (85 to 264 VAC).
- *7. Class B compliance was met with an aluminum plate placed under the Power Supply.

| Item | Power ratings | | 100 W | | | | |
|---------------------------|----------------------------------|---|---|---|-------------|-------------|--|
| | Output voltage | | 5 V | 12 V | 24 V | 48 V | |
| Efficiency (Typ.) | 100 VAC input | | 81% | 82% | 84% | 84% | |
| | 200 VAC input | | 84% | 85% | 86% | 86% | |
| Input | Voltage *1 | | 100 to 240 VAC (allowable voltage: 85 to 264 VAC, 120 to 370 VDC *6) | | | | |
| | Frequency *1 | | 50/60 Hz (47 to 63 Hz) | | | | |
| | Current (Typ.) | 100 VAC input | 1.3 A | | | | |
| | | 200 VAC input | 0.65 A | | | | |
| | Power factor (rate, 100% load) | | 0.9 min. | | | | |
| | Harmonic current emissions | | Conforms to EN 61000-3-2 Class A. | | | | |
| | Leakage current | 100 VAC input | 0.5 mA max. | | | | |
| | | 200 VAC input | 1 mA max. | | | | |
| Inrush current (Typ.) | 100 VAC input | 14.1 A max. (for a cold start at 25°C) | | | | | |
| | 200 VAC input | 28.3 A max. (for a cold start at 25°C) | | | | | |
| Output | Voltage adjustment range *2 | | ±10% (with V. ADJ) | | | | |
| | Ripple *3 | | 150 mV max. | 240 mV max. | 480 mV max. | 960 mV max. | |
| | Input variation influence | | 0.5% max. (with 85 to 264 VAC input at 100% load) | | | | |
| | Load variation influence | | 2% max. (0 to 100% load, rated input voltage) | 1.5% max. (0 to 100% load, rated input voltage) | | | |
| | Temperature variation influence | | 0.05%/°C max. | | | | |
| | Startup time (Typ.) | 100 VAC input | 480 ms | 530 ms | 540 ms | 650 ms | |
| | | 200 VAC input | 24 ms | 21 ms | 22 ms | 24 ms | |
| | Additional functions | Overload protection | | 12-V, 24-V, or 48-V model: 100% to 110% of power boost for output current, voltage drop, intermittent, automatic reset 5-V model: 105% to 160% of rated current, voltage drop, intermittent, automatic reset | | | |
| Overvoltage protection *4 | | Yes | | | | | |
| Series operation | | Yes (For up to two Power Supplies.) | | | | | |
| Parallel operation | | No (However, backup operation is possible; external diodes required.) | | | | | |
| Remote control | | Yes (Only for models with remote control option.) | | | | | |
| Other | Ambient operating temperature | | -10 to 70°C (Derating is required according to the temperature.) (with no icing or condensation) | | | | |
| | Storage temperature | | -25 to 75°C (with no icing or condensation) | | | | |
| | Ambient operating humidity | | 25% to 85% (Storage humidity: 25% to 90%) | | | | |
| | Dielectric strength | | 3.0 kVAC for 1 min. (between all inputs and outputs; detection current: 20 mA) 2.0 kVAC for 1 min. (between all inputs and PE; detection current: 20 mA) 1.0 kVAC for 1 min. (between all outputs and PE; detection current: 20 mA) | | | | |
| | Insulation resistance | | 100 MΩmin. (between all outputs and all inputs/PE terminal) at 500 VDC | | | | |
| | Vibration resistance | | 10 to 55 Hz, 19.6 m/s ² (2 G) for 1 h each in X, Y, and Z directions | | | | |
| | Shock resistance | | 196.1 m/s ² , 3 times each in ±X, ±Y, ±Z directions | | | | |
| | EMI | Conducted Emissions | | Conforms to EN 55011 Group 1 Class B *7 | | | |
| | | Radiated Emissions | | Conforms to EN 55011 Group 1 Class B *7 | | | |
| | EMS | Electrostatic Discharge | | Conforms to EN61000-4-2 | | | |
| | | Radiated Electromagnetic Field | | Conforms to EN61000-4-3 | | | |
| | | Electrical Fast Transient/Burst | | Conforms to EN61000-4-4 | | | |
| | | Surge | | Conforms to EN61000-4-5 | | | |
| | | Conducted Disturbance | | Conforms to EN61000-4-6 | | | |
| | Voltage Dips/Short Interruptions | | Conforms to EN61000-4-11 | | | | |
| Approved standards | | UL UR: UL 60950-1 (Recognition) cUR: CSA C22.2 No. 60950-1 EN: EN50178, EN60950-1 | | | | | |
| SEMI | | SEMI F47-0706 (at 200 VAC) | | | | | |
| Weight *5 | | 265 g max. (without chassis and cover) | | | | | |

*1. Do not use an inverter output for the Power Supply. Inverters with an output frequency of 50/60 Hz are available, but the rise in the internal temperature of the Power Supply may result in ignition or burning.

*2. If the output voltage adjuster (V. ADJ) is turned, the voltage will increase by +10% of the allowable voltage range. When adjusting the output voltage, confirm the actual output voltage from the Power Supply and be sure that load is not damaged.

*3. Rated input voltage: 100 or 200 VAC at 100% load.
The measurement method is based on JEITA standard RC-9131A.
For details, refer to *Ripple Noise Voltage* on page 24.

*4. To reset the protection after power is shut off, turn OFF the input power for three minutes or longer and then turn it back ON.

*5. The weight is for an open-frame model.

*6. The range for compliance with EC Directives and safety standards (UL, EN, etc.) is 100 to 240 VAC (85 to 264 VAC).

*7. Class B compliance was met with an aluminum plate placed under the Power Supply.

| Item | Power ratings | | 150 W | | | | |
|-----------------------|----------------------------------|---|---|---|---|-------------|--|
| | Output voltage | | 5 V | 12 V | 24 V | 48 V | |
| Efficiency (Typ.) | 100 VAC input | | 84% | 83% | 84% | 85% | |
| | 200 VAC input | | 87% | 86% | 87% | 88% | |
| Input | Voltage *1 | | 100 to 240 VAC (allowable voltage: 85 to 264 VAC, 120 to 370 VDC *6) | | | | |
| | Frequency *1 | | 50/60 Hz (47 to 63 Hz) | | | | |
| | Current (Typ.) | 100 VAC input | 1.9 A | | | | |
| | | 200 VAC input | 0.95 A | | | | |
| | Power factor (rate, 100% load) | | 0.9 min. | | | | |
| | Harmonic current emissions | | Conforms to EN 61000-3-2 Class A. | | | | |
| | Leakage current | 100 VAC input | 0.5 mA max. | | | | |
| | | 200 VAC input | 1 mA max. | | | | |
| Inrush current (Typ.) | 100 VAC input | 14.1 A max. (for a cold start at 25°C) | | | | | |
| | 200 VAC input | 28.3 A max. (for a cold start at 25°C) | | | | | |
| Output | Voltage adjustment range *2 | | ±10% (with V. ADJ) | | | | |
| | Ripple *3 | | 150 mV max. | 240 mV max. | 480 mV max. | 960 mV max. | |
| | Input variation influence | | 0.5% max. (with 85 to 264 VAC input at 100% load) | | | | |
| | Load variation influence | | 2% max. (0 to 100% load, rated input voltage) | | 1.5% max. (0 to 100% load, rated input voltage) | | |
| | Temperature variation influence | | 0.05%/°C max. | | | | |
| | Startup time (Typ.) | 100 VAC input | 450 ms | 660 ms | 660 ms | 690 ms | |
| | | 200 VAC input | 25 ms | 20 ms | 21 ms | 20 ms | |
| Additional functions | Overload protection | | 12-V, 24-V, or 48-V model: 100% to 110% of power boost for output current, voltage drop, intermittent, automatic reset 5-V model: 105% to 160% of rated current, voltage drop, intermittent, automatic reset | | | | |
| | Overvoltage protection *4 | | Yes | | | | |
| | Series operation | | Yes (For up to two Power Supplies.) | | | | |
| | Parallel operation | | No (However, backup operation is possible; external diodes required.) | | | | |
| | Remote control | | Yes (Only for models with remote control option.) | | | | |
| Other | Ambient operating temperature | | -10 to 70°C (Derating is required according to the temperature.) (with no icing or condensation) | | | | |
| | Storage temperature | | -25 to 75°C (with no icing or condensation) | | | | |
| | Ambient operating humidity | | 25% to 85% (Storage humidity: 25% to 90%) | | | | |
| | Dielectric strength | | 3.0 kVAC for 1 min. (between all inputs and outputs; detection current: 20 mA) 2.0 kVAC for 1 min. (between all inputs and PE; detection current: 20 mA) 1.0 kVAC for 1 min. (between all outputs and PE; detection current: 20 mA) | | | | |
| | Insulation resistance | | 100 MΩ min. (between all outputs and all inputs/PE terminal) at 500 VDC | | | | |
| | Vibration resistance | | 10 to 55 Hz, 19.6 m/s ² (2 G) for 1 h each in X, Y, and Z directions | | | | |
| | Shock resistance | | 196.1 m/s ² , 3 times each in ±X, ±Y, ±Z directions | | | | |
| | EMI | Conducted Emissions | | Conforms to EN 55011 Group 1 Class B *7 | | | |
| | | Radiated Emissions | | Conforms to EN 55011 Group 1 Class B *7 | | | |
| | EMS | Electrostatic Discharge | | Conforms to EN61000-4-2 | | | |
| | | Radiated Electromagnetic Field | | Conforms to EN61000-4-3 | | | |
| | | Electrical Fast Transient/Burst | | Conforms to EN61000-4-4 | | | |
| | | Surge | | Conforms to EN61000-4-5 | | | |
| | | Conducted Disturbance | | Conforms to EN61000-4-6 | | | |
| | Voltage Dips/Short Interruptions | | Conforms to EN61000-4-11 | | | | |
| Approved standards | | UL UR: UL 60950-1 (Recognition) cUR: CSA C22.2 No. 60950-1 EN: EN50178, EN60950-1 | | | | | |
| SEMI | | SEMI F47-0706 (at 200 VAC) | | | | | |
| Weight *5 | | 315 g max. (without chassis and cover) | | | | | |

- *1. Do not use an inverter output for the Power Supply. Inverters with an output frequency of 50/60 Hz are available, but the rise in the internal temperature of the Power Supply may result in ignition or burning.
- *2. If the output voltage adjuster (V. ADJ) is turned, the voltage will increase by +10% of the allowable voltage range. When adjusting the output voltage, confirm the actual output voltage from the Power Supply and be sure that load is not damaged.
- *3. Rated input voltage: 100 or 200 VAC at 100% load.
The measurement method is based on JEITA standard RC-9131A.
For details, refer to *Ripple Noise Voltage* on page 24.
- *4. To reset the protection after power is shut off, turn OFF the input power for three minutes or longer and then turn it back ON.
- *5. The weight is for an open-frame model.
- *6. The range for compliance with EC Directives and safety standards (UL, EN, etc.) is 100 to 240 VAC (85 to 264 VAC).
- *7. Class B compliance was met with an aluminum plate placed under the Power Supply.

| Item | Power ratings Output voltage | | 240 W (300 W) | | | |
|----------------------------------|---------------------------------|---|---|---|-------------|--|
| | | | 24 V | 36 V | 48 V | |
| Efficiency (Typ.) | 100 VAC input | | 87% | 87% | 87% | |
| | 200 VAC input | | 90% | 90% | 90% | |
| Input | Voltage *1 | | 100 to 240 VAC (allowable voltage: 85 to 264 VAC, 120 to 370 VDC *6) | | | |
| | Frequency *1 | | 50/60 Hz (47 to 63 Hz) | | | |
| | Current (Typ.) | 100 VAC input | 2.9 A (for 240-W output) | | | |
| | | 200 VAC input | 1.5 A (for 240-W output) 1.8 A (for 300-W output) | | | |
| | Power factor (rate, 100% load) | | 0.9 min. | | | |
| | Harmonic current emissions | | Conforms to EN 61000-3-2 Class A. | | | |
| | Leakage current | 100 VAC input | 0.5 mA max. | | | |
| | | 200 VAC input | 1.0 mA max. | | | |
| Inrush current (Typ.) | 100 VAC input | 14 A (for a cold start at 25°C) | | | | |
| | 200 VAC input | 28 A (for a cold start at 25°C) | | | | |
| Output | Voltage adjustment range *2 | | ±10% (with V. ADJ) | | | |
| | Ripple *3 | | 480 mV max. | 720 mV max. | 960 mV max. | |
| | Input variation influence | | 0.5% max. | | | |
| | Load variation influence | | 1.5% max. | | | |
| | Temperature variation influence | | 0.05%/°C max. | | | |
| | Startup time (Typ.) | 100 VAC input | 460 ms | | | |
| | | 200 VAC input | 330 ms | | | |
| | Hold time (Typ.) | 100 VAC input | 20 ms (for output power of 240 W) | | | |
| 200 VAC input | | 20 ms (for output power of 240 W) 16 ms (for output power of 300 W) | | | | |
| Additional functions | Overload protection *4 | | 100% or higher of power boost for output current, voltage drop, automatic reset Power shut off if 130% or higher of rated output current continues for approx. 5 s Reset by input reset (OFF time: 3 min min.) | | | |
| | Overvoltage protection *4 | | Yes | | | |
| | Series operation | | Yes (For up to two Power Supplies; external diodes are required.) | | | |
| | Parallel operation | | No (However, backup operation is possible; external diodes required.) | | | |
| | Remote control | | Yes (Only for models with remote control option.) | | | |
| Undervoltage alarm output | | Yes (open-collector output, 30 VDC max., 50 mA max.) | | | | |
| Other | Ambient operating temperature | | -10 to 70°C (Derating is required according to the temperature.) (with no icing or condensation) | | | |
| | Storage temperature | | -25 to 75°C (with no icing or condensation) | | | |
| | Ambient operating humidity | | 25% to 85% | | | |
| | Dielectric strength | | 3.0 kVAC for 1 min. (between all inputs and outputs; detection current: 20 mA) 2.0 kVAC for 1 min. (between all inputs and PE; detection current: 20 mA) 1.0 kVAC for 1 min. (between all outputs and PE; detection current: 20 mA) | | | |
| | Insulation resistance | | 100 MΩ min. (between all outputs and all inputs/PE terminal) at 500 VDC (at room temperature 25°C and humidity 60%) | | | |
| | Vibration resistance | | No abnormality after 10 to 55 Hz, 19.6 m/s ² (2 G) for 1 h each in X, Y, and Z directions. | | | |
| | Shock resistance | | 196.1 m/s ² , 3 times each in ±X, ±Y, ±Z directions | | | |
| | EMI | Conducted Emissions | | Conforms to EN 55011 Group 1 Class B *7 | | |
| | | Radiated Emissions | | Conforms to EN 55011 Group 1 Class B *7*8 | | |
| | EMS | Electrostatic Discharge | | Conforms to EN61000-4-2 | | |
| | | Radiated Electromagnetic Field | | Conforms to EN61000-4-3 | | |
| | | Electrical Fast Transient/Burst | | Conforms to EN61000-4-4 | | |
| | | Surge | | Conforms to EN61000-4-5 | | |
| Conducted Disturbance | | Conforms to EN61000-4-6 | | | | |
| Voltage Dips/Short Interruptions | | Conforms to EN61000-4-11 | | | | |
| Approved standards | | UL UR: UL 60950-1 (Recognition) cUR: CSA C22.2 No. 60950-1 EN: EN50178, EN60950-1 | | | | |
| SEMI | | SEMI F47-0706 (at 200 VAC) | | | | |
| Weight *5 | | 515 g (without chassis and cover) | | | | |

*1. Do not use an inverter output for the Power Supply. Inverters with an output frequency of 50/60 Hz are available, but the rise in the internal temperature of the Power Supply may result in ignition or burning.

*2. If the output voltage adjuster (V. ADJ) is turned, the voltage will increase by +10% of the allowable voltage range. When adjusting the output voltage, confirm the actual output voltage from the Power Supply and be sure that load is not damaged.

*3. Rated input voltage: 100 or 200 VAC at 100% load.

The measurement method is based on JEITA standard RC-9131A. For details, refer to *Ripple Noise Voltage* on page 24.

*4. To reset the protection after power is shut off, turn OFF the input power for three minutes or longer and then turn it back ON.

*5. The weight is for an open-frame model.

*6. The range for compliance with EC Directives and safety standards (UL, EN, etc.) is 100 to 240 VAC (85 to 264 VAC).

*7. Noise values depend on the wiring methods. Class B compliance was met with an aluminum plate placed under the Power Supply.

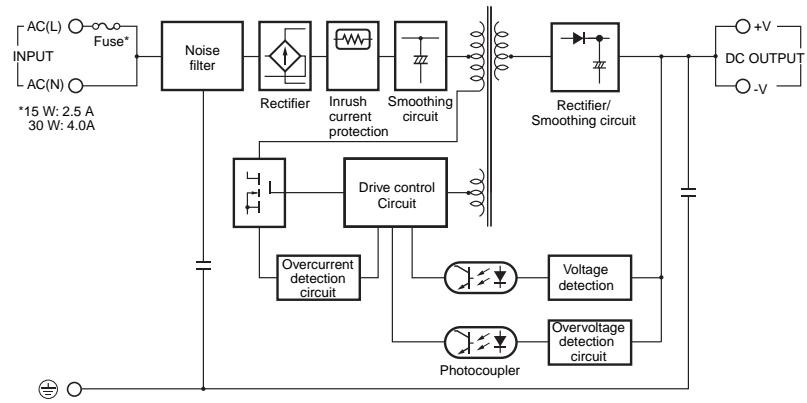
*8. Insert filters (ZCAT3035-1330 manufactured by TDK Corporation) in the input and output lines to reduce noise.

S8EX

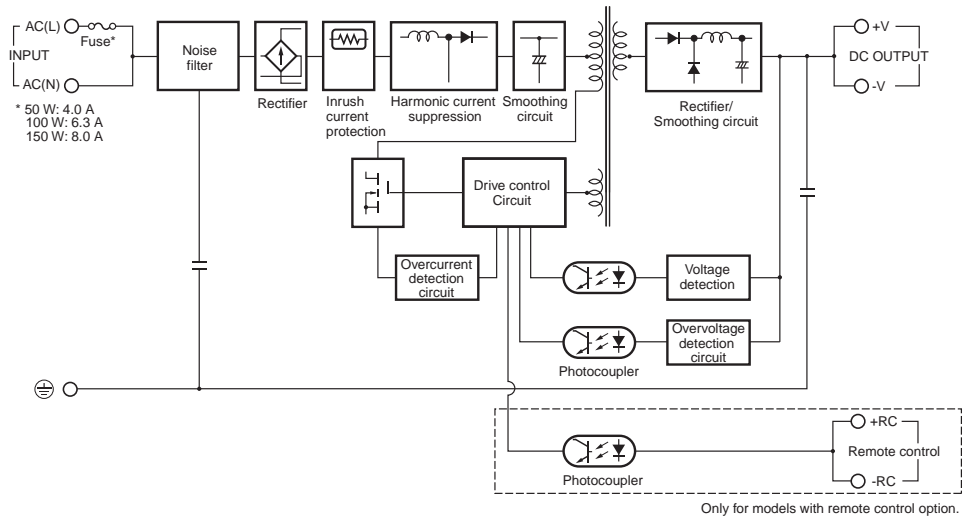
Connections

Block Diagrams

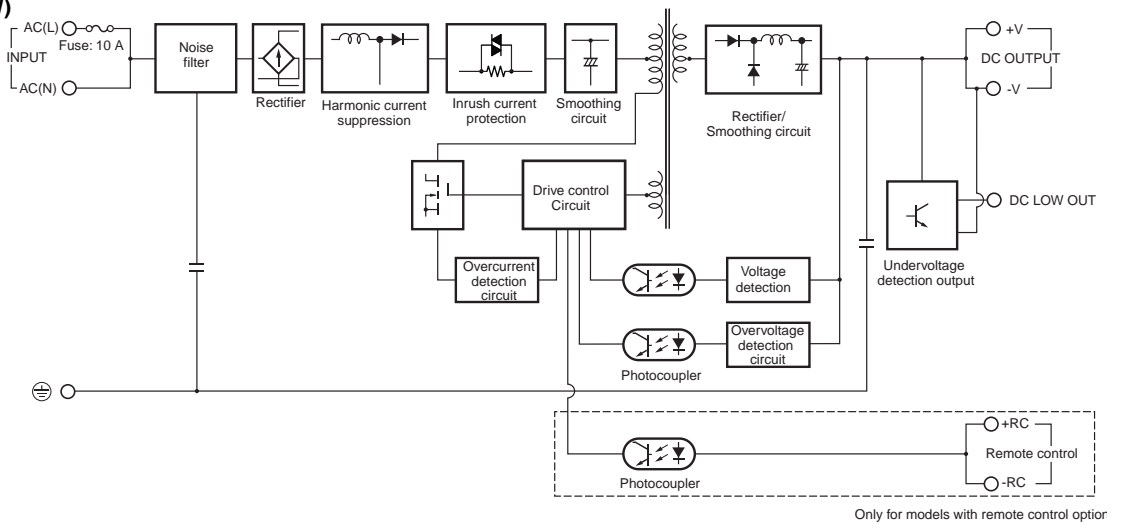
S8EX-N015□□ (15 W)
S8EX-N030□□ (30 W)



S8EX-BP050□□ (50 W)
S8EX-□P100□□ (100 W)
S8EX-□P150□□ (150 W)

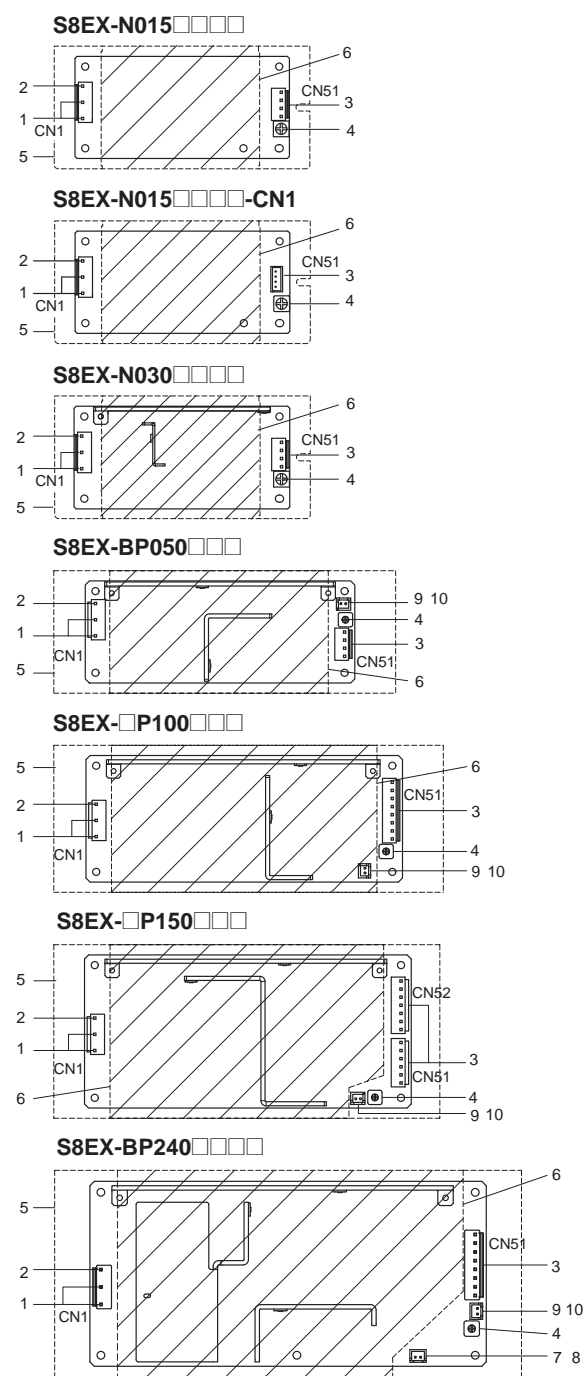


S8EX-BP240□□ (240 W)



Construction and Nomenclature

Nomenclature



| No. | Name | Function |
|-----|---|--|
| 1 | Input Terminals (L), (N) | Connect the input lines to these terminals. *1 |
| 2 | Protective Earth Terminal (PE) | Connect the ground line to these terminals. *2 |
| 3 | DC Output Terminals (-V), (+V) | Connect the load lines to these terminals. |
| 4 | Output Voltage Adjuster (V. ADJ) | It is possible to increase or decrease the output voltage. |
| 5 | Chassis | |
| 6 | Cover | |
| 7 | Undervoltage alarm output collector terminal (DC LOW) | Output a signal when a low output voltage is detected. |
| 8 | Undervoltage alarm output emitter terminal (DC LOW) | |
| 9 | Remote control +RC terminal *3 | Wire for remote control. |
| 10 | Remote control -RC terminal *3 | |

*1. The fuse is located on the (L) side. It is NOT user-replaceable. For a DC power input, connect the low side to the positive (+) terminal. Safety standards do not apply for a DC input.

*2. This is the protective earth terminal specified in the safety standards. Always ground this terminal.

*3. Only for models with remote control option.

Input and Output Connectors

| | | Applicable connector | Housing | Terminals | Applicable crimp tool |
|--------------|--|-----------------------|-----------------|-----------|---|
| Input side | All models | CN1 | B3P5-VH(LF)(SN) | VHR-5N | YC-160R |
| Output side | S8EX-N015□□□□ S8EX-N030□□□□ S8EX-BP050□□□□ | CN51 | B4P-VH(LF)(SN) | VHR-4N | Reel: SVH-21T-P1.1 Bulk: BVH-21T-P1.1 YC-160R |
| Output side | S8EX-N015□□□□-CN1 | CN51 | B4B-XH | XHP-4 | Reel: SXH-001T-P0.6 Bulk: BXH-001T-P0.6 YC-111R |
| Output side | S8EX-□P100□□□□ | CN51 | B8P-VH(LF)(SN) | VHR-8N | Reel: SVH-21T-P1.1 Bulk: BVH-21T-P1.1 YC-160R |
| Output side | S8EX-□P150□□□□ | CN51 | B6P-VH(LF)(SN) | VHR-6N | |
| Output side | | CN52 | B7P-VH(LF)(SN) | VHR-7N | |
| Output side | S8EX-BP240□□□□ | CN51 | B8P-VH(LF)(SN) | VHR-8N | |
| Manufacturer | | J.S.T. Mfg. Co., Ltd. | | | |

Note: The female connectors that are required for wiring are not provided with the Power Supply.

Special Harnesses for S8EX-Series
Applicable Models and Harness Models

| Applicable models (S8EX-Series) | | | | | | Connected to | | Model number | Qty |
|---------------------------------|------|------|-------|-------|-------|----------------------------|--------------------|----------------|-----|
| 15 W | 30 W | 50 W | 100 W | 150 W | 240 W | Input side and output side | Output (+, -) | | |
| OK | OK | OK | OK | OK | OK | Input side | Output (±), common | S82Y-EX01HI-01 | 1 |
| OK | OK | OK | | | | Output side | | S82Y-EX01HO-01 | |
| OK* | | | | | | Output side | | S82Y-EX02HO-01 | |
| | | | OK | | OK | Output side | | S82Y-EX03HO-01 | |
| | | | | OK | | Output side | | Output side + | |
| | | | | OK | | Output side | Output side - | S82Y-EX05HO-01 | |
| OK | OK | OK | OK | OK | OK | Input side | Output (±), common | S82Y-EX01HI-10 | 10 |
| OK | OK | OK | | | | Output side | | S82Y-EX01HO-10 | |
| OK* | | | | | | Output side | | S82Y-EX02HO-10 | |
| | | | OK | | OK | Output side | | S82Y-EX03HO-10 | |
| | | | | OK | | Output side | | Output side + | |
| | | | | OK | | Output side | Output side - | S82Y-EX05HO-10 | |

* Application is possible only to the S8EX-CN1.

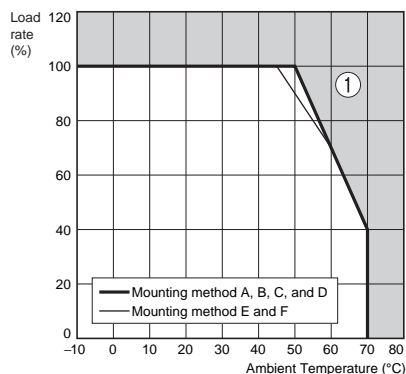
Harness Specifications

| Model number | Connector structure | Shape | Applicable wires | | | | |
|----------------|---|-------|------------------|--------|-----|-------|----------------|
| | | | Pin | Wire | AWG | Color | Length: L (mm) |
| S82Y-EX01HI-□□ | Housing Model: VHR-5N Manufacturer: J.S.T. Mfg. Co., Ltd. Pins Model: SVH-21T-P1.1 Manufacturer: J.S.T. Mfg. Co., Ltd. | | 1 | UL1015 | 18 | Black | 500 |
| | | | 2 | NC | | | |
| | | | 3 | UL1015 | 18 | White | 500 |
| | | | 4 | NC | | | |
| | | | 5 | UL1015 | 18 | Green | 500 |
| S82Y-EX01HO-□□ | Housing Model: VHR-4N Manufacturer: J.S.T. Mfg. Co., Ltd. Pins Model: SVH-21T-P1.1 Manufacturer: J.S.T. Mfg. Co., Ltd. | | 1 | UL1015 | 18 | Black | 500 |
| | | | 2 | UL1015 | 18 | Black | 500 |
| | | | 3 | UL1015 | 18 | Red | 500 |
| | | | 4 | UL1015 | 18 | Red | 500 |
| S82Y-EX02HO-□□ | Housing Model: XHP-4 Manufacturer: J.S.T. Mfg. Co., Ltd. Pins Model: SXH-001T-P0.6 Manufacturer: J.S.T. Mfg. Co., Ltd. | | 1 | UL1007 | 22 | Black | 500 |
| | | | 2 | UL1007 | 22 | Black | 500 |
| | | | 3 | UL1007 | 22 | Red | 500 |
| | | | 4 | UL1007 | 22 | Red | 500 |
| S82Y-EX03HO-□□ | Housing Model: VHR-8N Manufacturer: J.S.T. Mfg. Co., Ltd. Pins Model: SVH-21T-P1.1 Manufacturer: J.S.T. Mfg. Co., Ltd. | | 1 | UL1015 | 18 | Black | 500 |
| | | | 2 | UL1015 | 18 | Black | 500 |
| | | | 3 | UL1015 | 18 | Black | 500 |
| | | | 4 | UL1015 | 18 | Black | 500 |
| | | | 5 | UL1015 | 18 | Red | 500 |
| | | | 6 | UL1015 | 18 | Red | 500 |
| | | | 7 | UL1015 | 18 | Red | 500 |
| | | | 8 | UL1015 | 18 | Red | 500 |
| S82Y-EX04HO-□□ | Housing Model: VHR-6N Manufacturer: J.S.T. Mfg. Co., Ltd. Pins Model: SVH-21T-P1.1 Manufacturer: J.S.T. Mfg. Co., Ltd. | | 1 | UL1015 | 18 | Red | 500 |
| | | | 2 | UL1015 | 18 | Red | 500 |
| | | | 3 | UL1015 | 18 | Red | 500 |
| | | | 4 | UL1015 | 18 | Red | 500 |
| | | | 5 | UL1015 | 18 | Red | 500 |
| | | | 6 | UL1015 | 18 | Red | 500 |
| S82Y-EX05HO-□□ | Housing Model: VHR-7N Manufacturer: J.S.T. Mfg. Co., Ltd. Pins Model: SVH-21T-P1.1 Manufacturer: J.S.T. Mfg. Co., Ltd. | | 1 | UL1015 | 18 | Black | 500 |
| | | | 2 | UL1015 | 18 | Black | 500 |
| | | | 3 | UL1015 | 18 | Black | 500 |
| | | | 4 | UL1015 | 18 | Black | 500 |
| | | | 5 | UL1015 | 18 | Black | 500 |
| | | | 6 | UL1015 | 18 | Black | 500 |
| | | | 7 | UL1015 | 18 | Black | 500 |

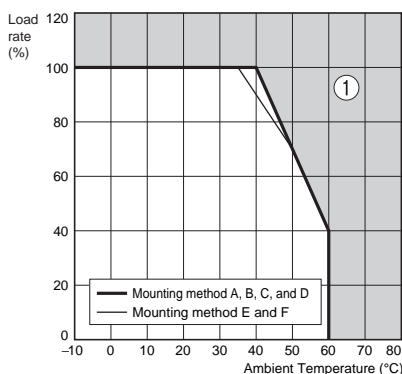
Engineering Data

Derating Curves (Standard Mounting)

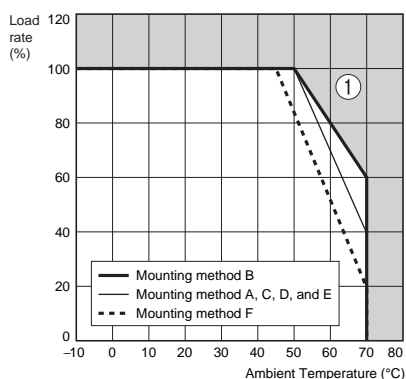
Open-frame Models and Models with Chassis (15 W)



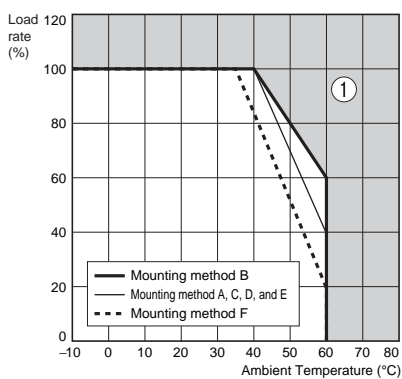
Models with Chassis and Cover (15 W)



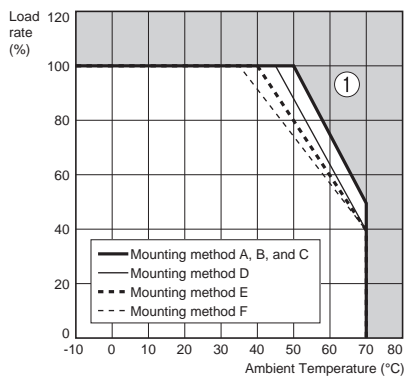
Open-frame Models and Models with Chassis (30 W)



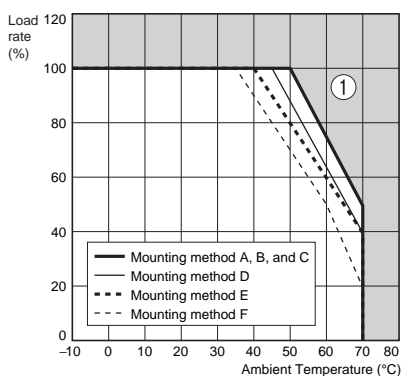
Models with Chassis and Cover (30 W)



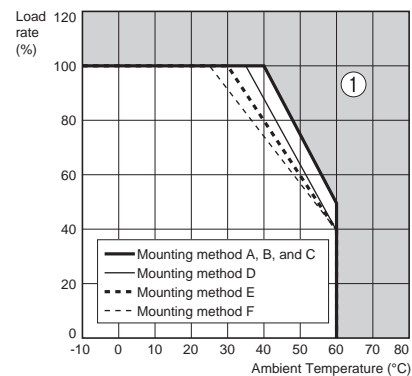
Open-frame Models (50W)



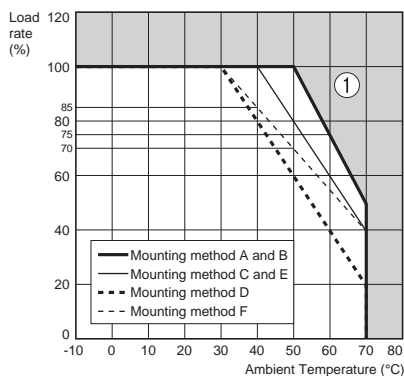
Models with Chassis (50 W)



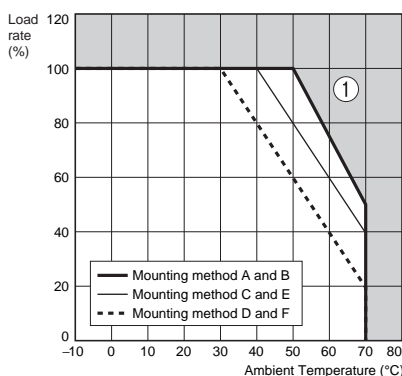
Models with Chassis and Cover (50W)



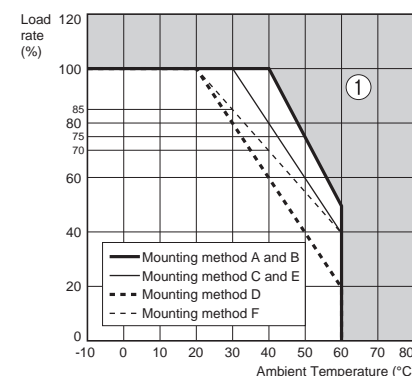
Open-frame Models (100W)



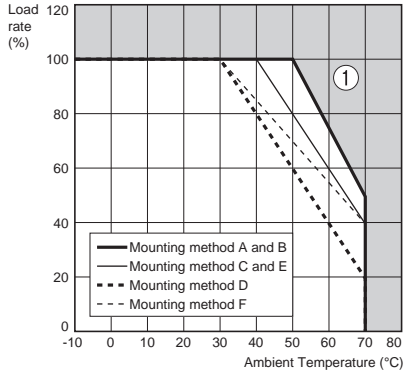
Models with Chassis (100 W)



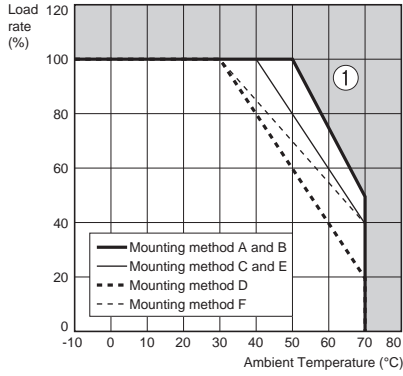
Models with Chassis and Cover (100W)



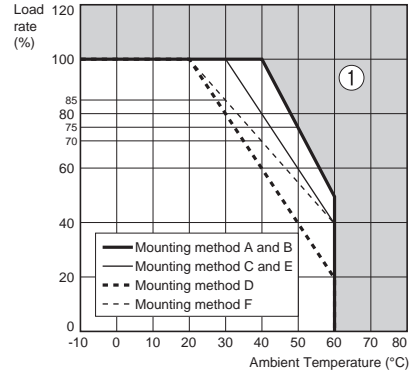
Open-frame Models (150 W)



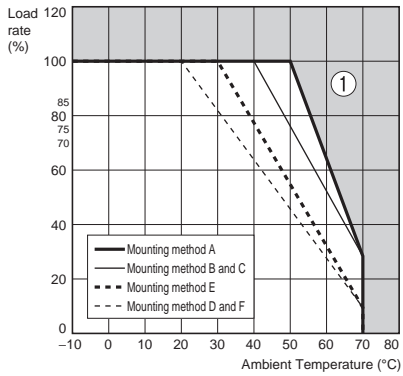
Models with Chassis (150 W)



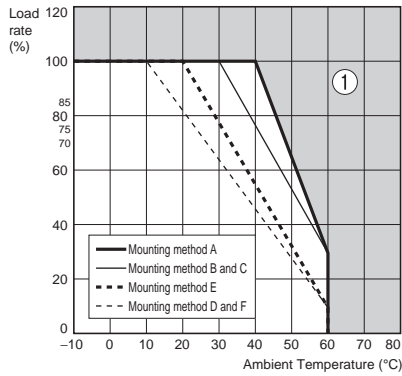
Models with Chassis and Cover (150 W)



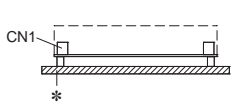
Open-frame Models and Models with Chassis (240 W)



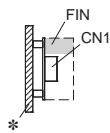
Models with Chassis and Cover (240W)



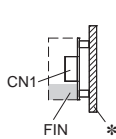
Mounting method A (Standard mounting method)



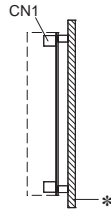
Mounting method B



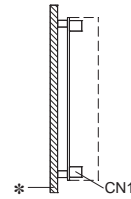
Mounting method C



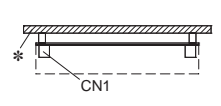
Mounting method D



Mounting method E



Mounting method F*

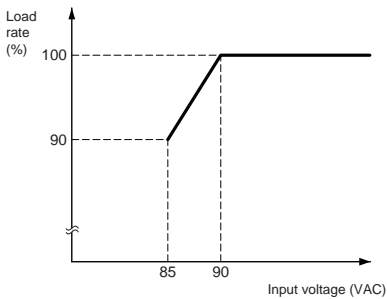


* UL certification has not been obtained for 240-W models.

- Note: 1. Use a metal sheet* for the mounting surface.
- 2. Refer to *Ambient Operating and Storage Environments* on page 21.
- 3. A natural convection system is used for derating. Mount the Power Supply so that air convection will occur around it.

Input Voltage Derating Curve

For 50, 100, 150, and 240-W models, check the derating characteristics for the input voltage before using the Power Supply.



Overload Protection

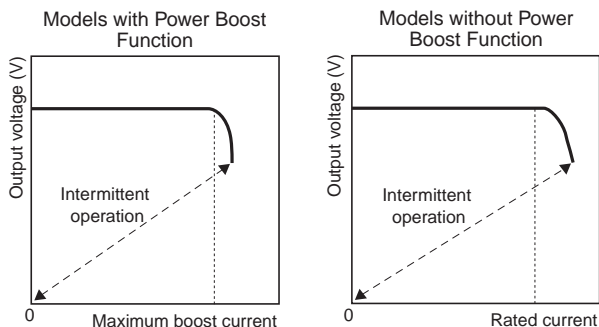
The overload protection circuit will automatically reduce the output voltage for short circuits and overcurrents to protect the Power Supply from short-circuit currents and overcurrents.

Note: Refer to *Overload Protection* on page 23.

15 to 150-W Models

When the output current falls within the rated range, the overload protection function is automatically cleared.

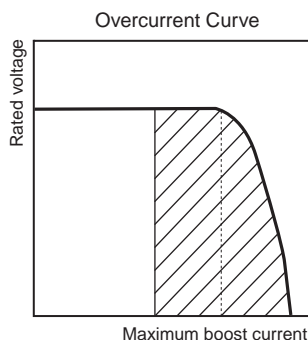
Reference Graphs



240-W Models

The output will be shut off if an output of 310 W or higher continues for approximately 5 seconds. To reset the protection, turn OFF the input power for three minutes or longer and then turn it back ON.

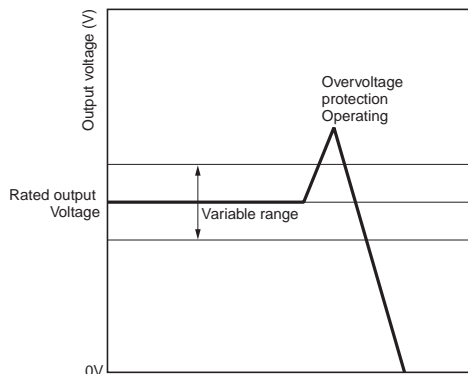
Reference Graph



Overvoltage Protection

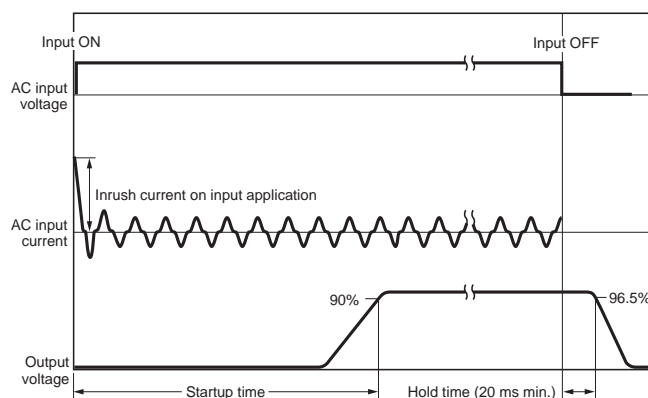
Consider the possibility of an overvoltage and design the system so that the load will not be subjected to an excessive voltage even if the feedback circuit in the power supply fails. When an excessive voltage that is approximately 130% of the rated voltage or more is output, the output voltage is shut OFF, preventing damage to the load due to overvoltage. Reset the input power by turning it OFF for at least three minutes and then turning it back ON again.

Reference Graph



Note: Do not turn ON the power again until the cause of the overvoltage has been removed.

Inrush Current, Startup Time, Output Hold Time

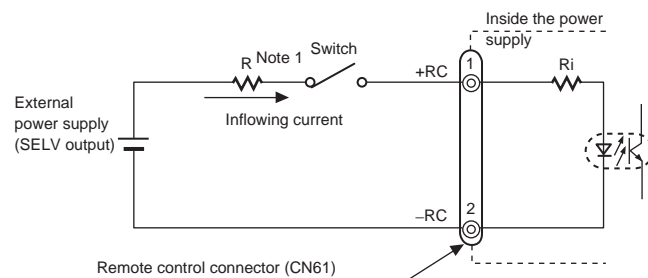


Note: A maximum startup time of 1,000 ms is required. Construct a system configuration that considers the startup time of other devices.

Remote Control Function (S8EX-□□□□□□□□-R only)

This function is to turn ON/OFF the output by applying a voltage to the remote control connector from a DC Power Supply (external power supply) other than this Power Supply.

| Built-in resistance Ri (Ω) | Voltage between +RC and -RC (V) | | Inrush current (mA) |
|----------------------------|---------------------------------|------------|---------------------|
| | Output ON | Output OFF | |
| 1kΩ | 4.5 to 12.5 | 0 to 0.5 | 20 max. |



Usage example of the remote control

Connectors used:

| | CN61 | Applicable connector | Applicable contact |
|---------------------|-----------------------|----------------------|--------------------------------|
| Model | B2B-XH-A | XHP-2 | SXH-001T-P0.6 or SXH-002T-P0.6 |
| Manufacturer | J.S.T. Mfg. Co., Ltd. | | |

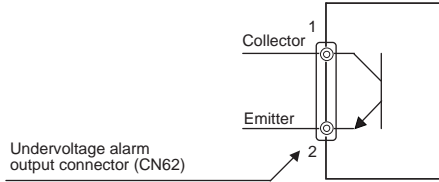
Applicable crimp tool: YC-110R (J.S.T. Mfg. Co., Ltd.) or YRS-110 (J.S.T. Mfg. Co., Ltd.)

- When the external power supply is 4.5 to 12.5 V, the current limiting resistor R is not required. When it is 12.5 to 24.5 V, insert 1.5 kΩ as the current limiting resistor R.
- Reverse connection of the connector may cause damage on the internal parts.
- The +RC and -RC terminals are the secondary circuit of the power supply. Use an SELV output power supply for an external power supply. The remote control circuit is insulated from the secondary output of the power supply (functional insulation).

Undervoltage Alarm Function (240 W Only)

When a drop of output voltage is detected, the voltage is output to the outside by a transistor (DC LOW) (The output is OFF when the output voltage is low). The detection voltage is set approximately 80% (75 to 90%) of the rated output voltage.

- Note: 1.** Transistor output: Open collector
 30 VDC max., 50 mA max. ON: Residual voltage 2 V max.,
 OFF: Leakage voltage 0.1 mA max.
- 2.** The undervoltage alarm function monitors the voltage of the output terminal of the power supply unit.
 To check the accurate voltage condition, measure the voltage of the load side.
- 3.** If the setting voltage is set to 90% or less of the rated voltage, the undervoltage alarm function may operate.



Output connector No. 2 (Emitter) is connected with the negative output.

Connectors used:

| | CN62 | Applicable connector | Applicable contact |
|---------------------|--------------------|----------------------|---------------------------------------|
| Model | B2B-XH-A | XHP-2 | SXH-001T-P0.6 or SXH-P002T-P0.6 |
| Manufacturer | JST Mfg. Co., Ltd. | | |

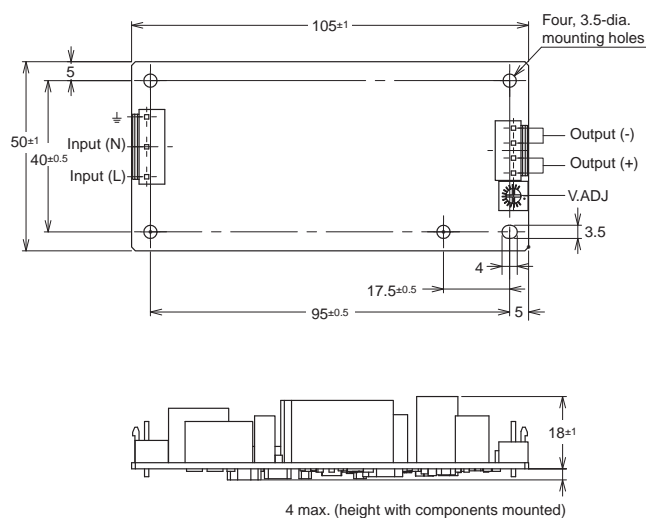
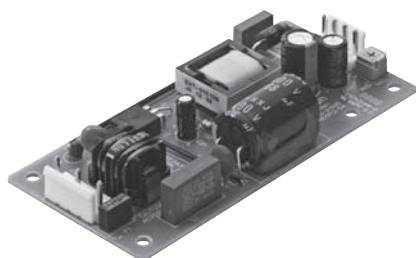
Applicable crimp tool: YC-110R (JST Mfg. Co., Ltd.) or YRS-110 (JST Mfg. Co., Ltd.)

Dimensions

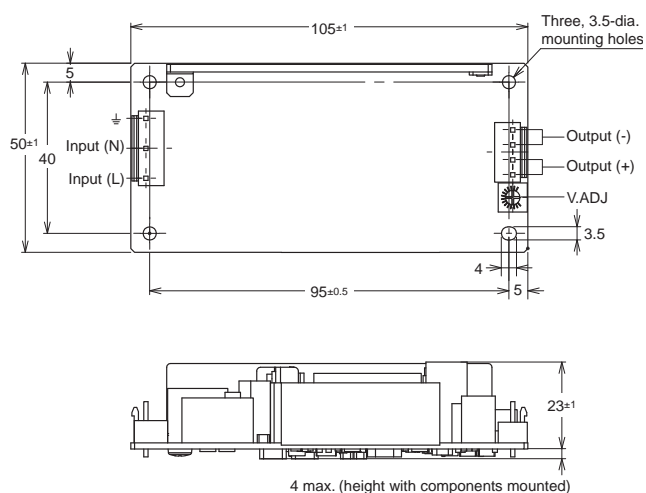
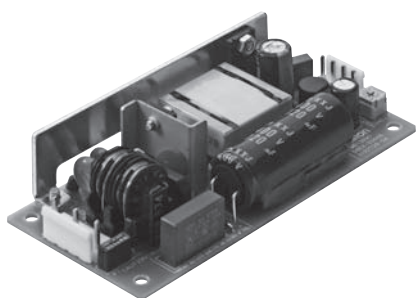
Power Supplies

Open-frame Model

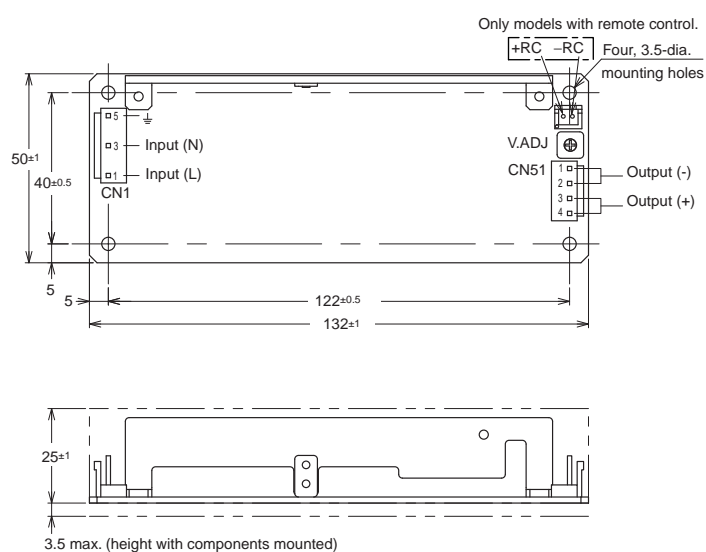
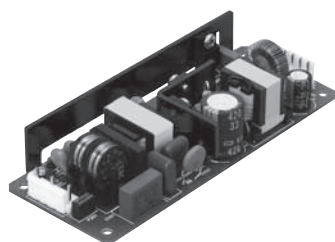
S8EX-N015□ (15 W)



S8EX-N030□ (30 W)

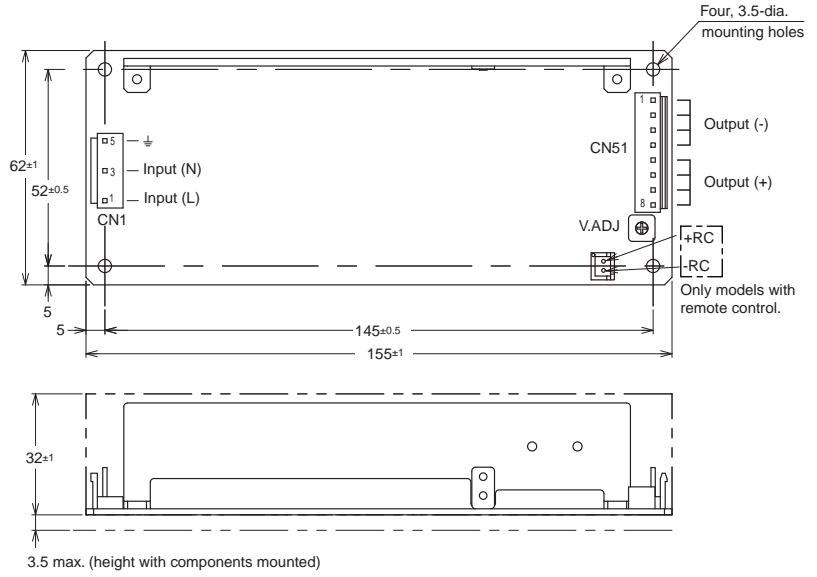
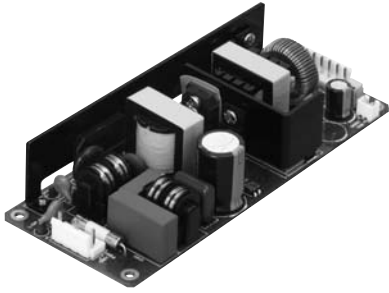


S8EX-BP050□□ (50 W)

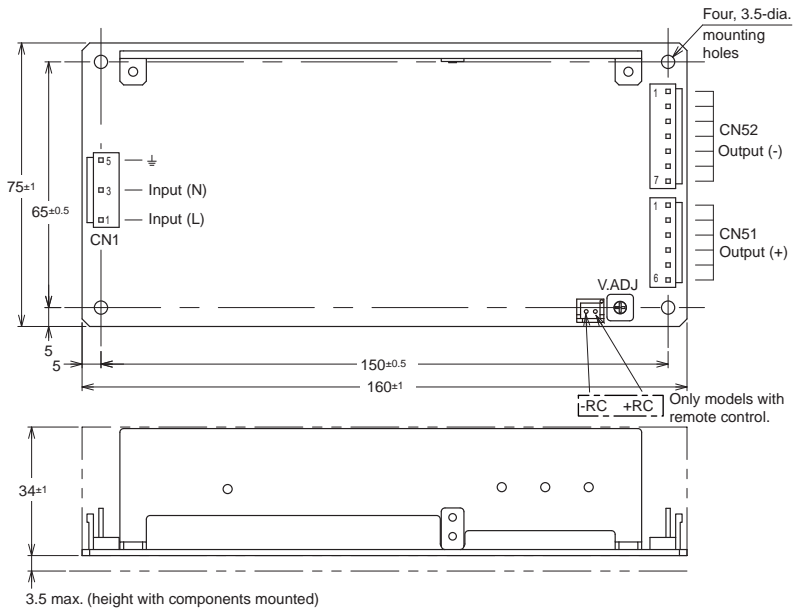
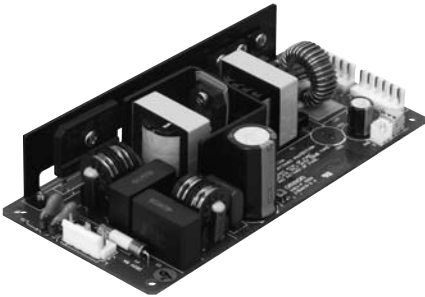


S8EX

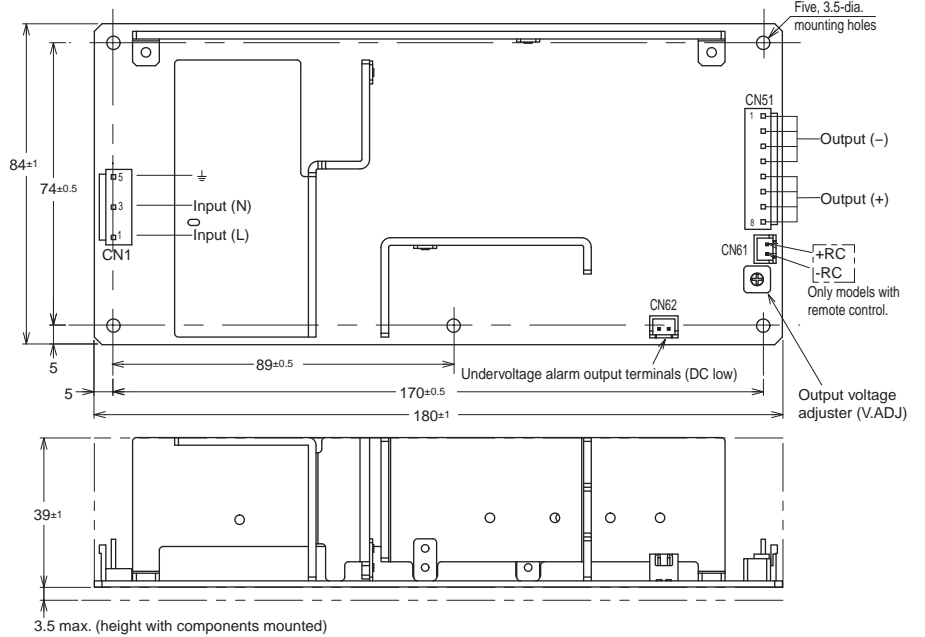
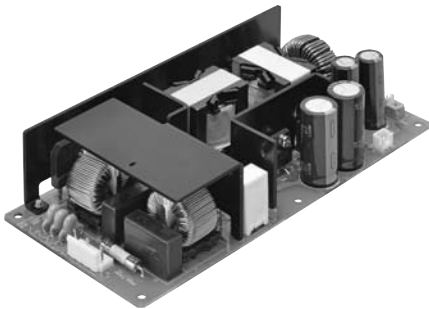
S8EX-□P100□□ (100 W)



S8EX-□P150□□ (150 W)

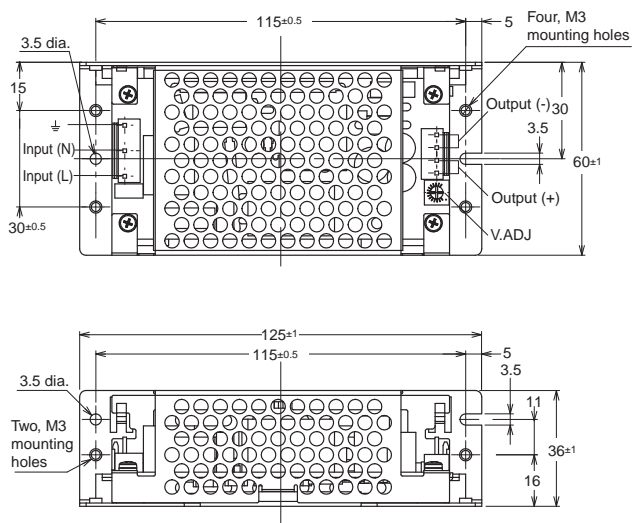
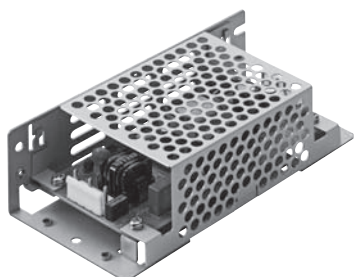


S8EX-□BP240□□ (240 W)

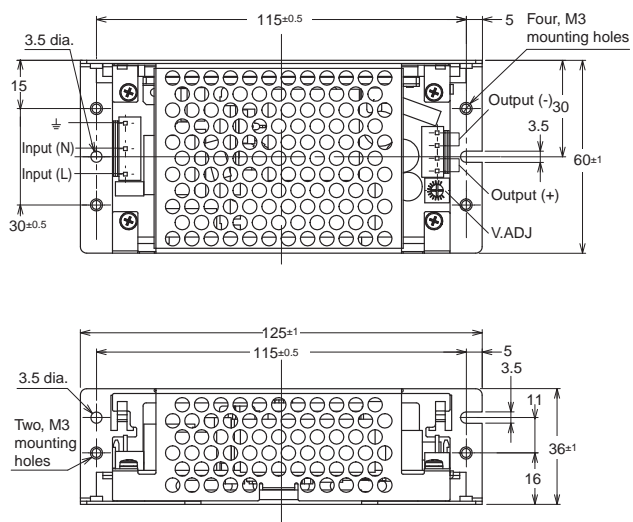
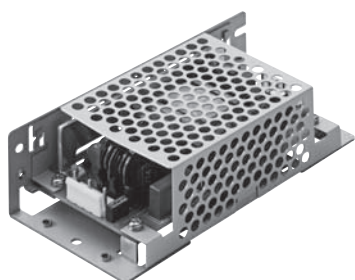


With chassis and cover

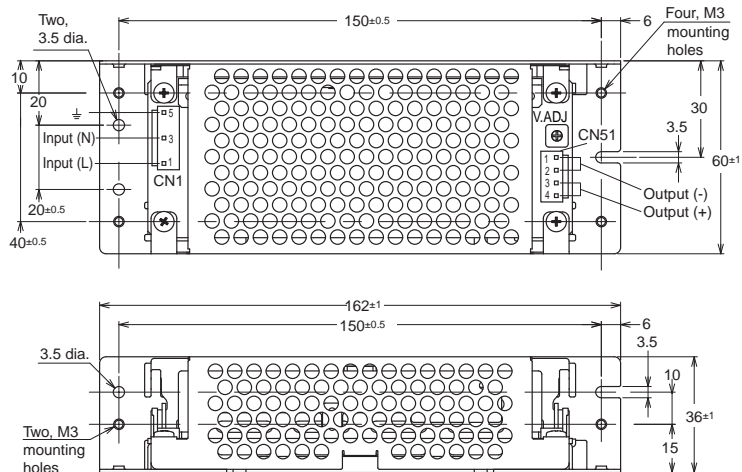
S8EX-N015□L□ (15 W)



S8EX-N030□L□ (30 W)

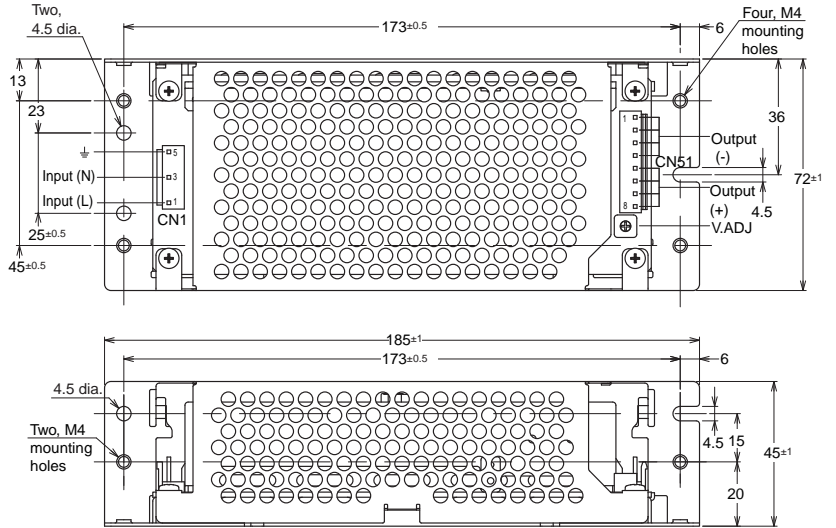
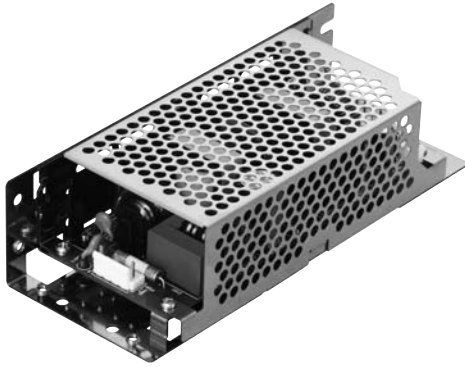


S8EX-BP050□L□ (50 W)

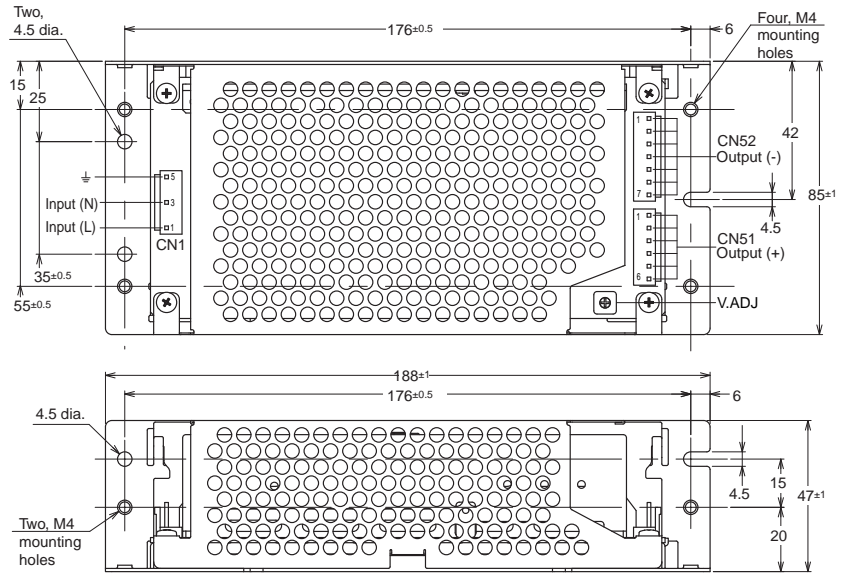
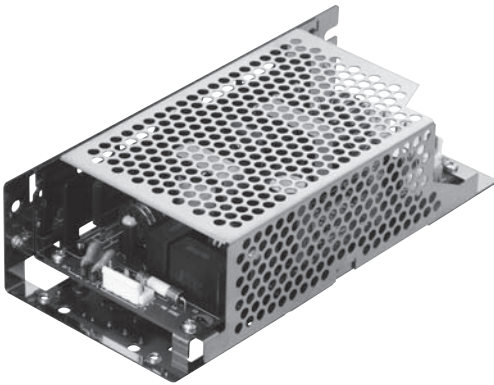


S8EX

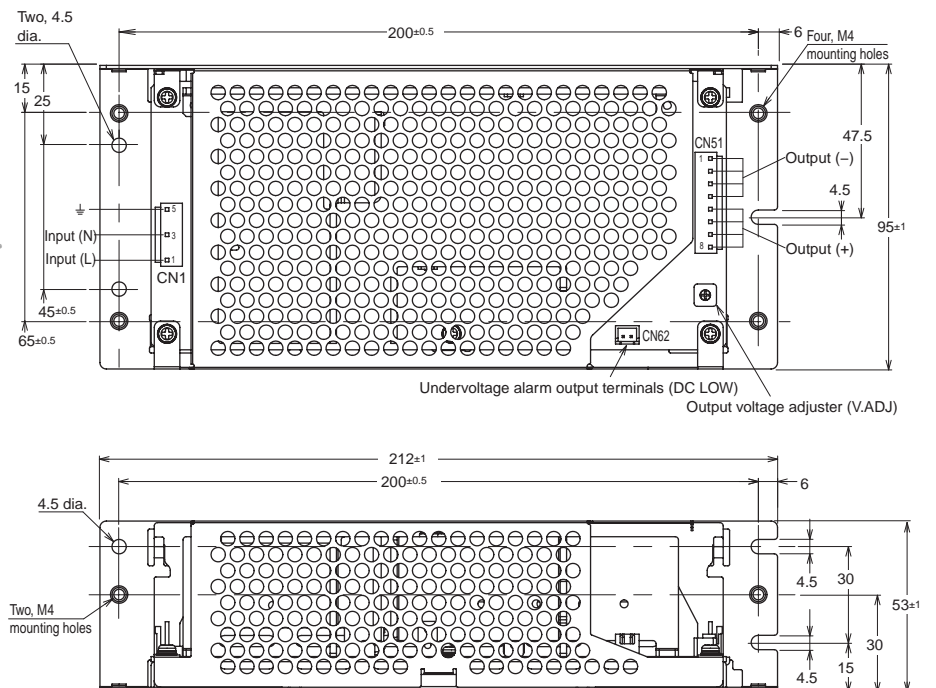
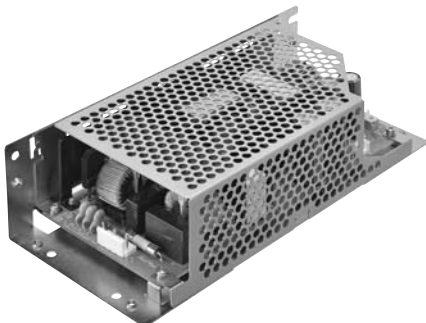
S8EX-□P100□□ (100 W)



S8EX-□P150□□ (150 W)




S8EX-BP240□□ (240 W)







Safety Precautions

Refer to *Safety Precautions for All Power Supplies*.

Warning Indications

| | |
|--|---|
|  CAUTION | Indicates a potentially hazardous situation which, if not avoided, may result in minor or moderate injury or in property damage. |
| Precautions for Safe Use | Supplementary comments on what to do or avoid doing, to use the product safely. |
| Precautions for Correct Use | Supplementary comments on what to do or avoid doing, to prevent failure to operate, malfunction or undesirable effect on product performance. |

Meaning of Product Safety Symbols

| | |
|--|---|
|  | Used to warn of the risk of electric shock under specific conditions. |
|  | Use to indicate prohibition when there is a risk of minor injury from electrical shock or other source if the product is disassembled. |
|  | Used for general CAUTION, WARNING, or DANGER precautions for which there is no specified symbol. (This symbol is also used as the alerting symbol, but shall not be used in this meaning on the product.) |
|  | Used to warn of the risk of minor injury caused by high temperatures. |

CAUTION

Minor electric shock, fire, or Product failure may occasionally occur. Do not disassemble, modify, or repair the Product to touch the interior of the Product.



Minor burns may occasionally occur. Do not touch the Product while power is being supplied or immediately after power is turned OFF.



Minor injury due to electric shock may occasionally occur. Do not touch the terminals while power is being supplied. Working voltage can be 370V max. inside. This voltage can be also available 30s after the switch off.



Minor electric shock, fire, or Product failure may occasionally occur. Do not allow any pieces of metal or conductors or any clippings or cuttings resulting from installation work to enter the Product.



Precautions for Safe Use

Wiring

- Connect the ground completely. A protective earthing terminal stipulated in safety standards is used. Electric shock or malfunction may occur if the ground is not connected completely.
- Minor fire may possibly occur. Ensure that input and output terminals are wired correctly.
- Be sure to remove the sheet covering the Product for machining before power-ON so that it does not interfere with heat dissipation.
- Use a wire diameter of at least 1.6 times the diameter that is required for the rated current to prevent heating and ignition of wire materials due to load abnormalities. Refer to the recommended allowable current, voltage drop, and other specifications from the manufacturer of the wires to select suitable wiring materials.
 - The current rating of each output terminal is 2 A for -CN1 models and it is 5 A for all other models. If more than the terminal current rating will flow, use two or more terminals together.
 - Use wiring materials with a UL recognized temperature of 60°C min. or 60°C/75°C min.
 - Use wiring materials with copper conductors.
- Refer to *Input and Output Connectors* on page 11 for the model numbers of the input and output connectors. Do not insert and remove any connector more than 20 times.

Installation Environment

- Do not use the Power Supply in locations subject to shocks or vibrations. In particular, install the Power Supply as far away as possible from contactors or other devices that are a vibration source.
- Install the Power Supply well away from any sources of strong, high-frequency noise and surge.

Ambient Operating and Storage Environments

- Store the Power Supply at a temperature of -25 to 75°C and a humidity of 25% to 90%.
- The Internal parts may occasionally deteriorate or be damaged. Do not use the Power Supply beyond the operating temperature range for the installation direction.
- The Internal parts may occasionally deteriorate or be damaged. Do not use the Power Supply outside the derating range (i.e., the area shown by shading ① in the derating curve diagram.)
- Use the Power Supply at a humidity of 25% to 85%.
- Do not use the Power Supply in locations subject to direct sunlight.
- Do not use locations where liquids, foreign matter, or corrosive gases may enter the interior of the Product.

Method of Manufacturing Connector Harness for Signal I/O

240-W Models

Use a PHD connector by JST Mfg. Co., Ltd.

| | | |
|-----------------------|------------------------------|------------------------------------|
| Connector used | B8P-VH(LF)(SN) | Manufactured by JST Mfg. Co., Ltd. |
| Housing | VHR-8N | |
| Terminals | SVH-21T-P1.1 or BVH-21T-P1.1 | |

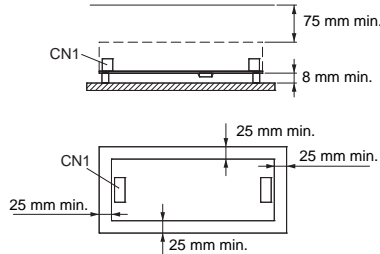
To ensure correct wiring, the following points should be borne in mind when manufacturing the connector. It is recommended that the JST Mfg. Co., Ltd. catalog be read for further details.

- Electric cable size AWG26 to AWG22 should be used.
- The electric cable sheath stripping length should be approximately 2.3 mm.
- Dedicated tool YC (Manufactured by JST Mfg. Co., Ltd.) should be used for crimping of terminals and wiring.
- Although UL1007 (Twisted wire) and other equivalent twisted wires can be used for electric cables, UL1061 with a small outer sheath shape and equivalent twisted wires should be used for AWG22.
- When accommodating crimped terminal wiring in the housing, insert the wiring as far as possible to the back of the housing in a single movement and check for an audible click. In addition, check that wiring inserted in the housing is properly locked in place.

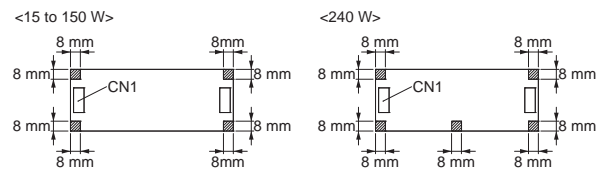
Precautions for Correct Use

Mounting

Mounting interval



Mounting hole position



- Take adequate measures to ensure proper heat dissipation to increase the long-term reliability of the Product.
 - The S8EX-series are designed to radiate heat by means of natural air-flow. Be sure to allow convection in the atmosphere around devices when mounting. Mount with a clearance of 75 mm at the top and bottom, and a clearance of 25 mm on the left and right sides.
 - The shaded portions indicate the allowable range of the metal mounting parts.
 - When mounting, use the mounting holes in the board and spacers to mount at least 8 mm off the board. This space is necessary to satisfy the insulation and withstand voltage standards.
 - Metal plate is strongly recommended as the mounting panel.
- Note: 1.** Do not subject the board to stress such as twisting, bending, or shock. This may cause failure or deterioration.
- 2.** During assembly, do not subject the lead feet or surface mounted parts to stress. This may cause failure or deterioration.
- Do not allow cuttings to enter the Power Supply during installation.
 - Depending on how the Power Supply is mounted, the heat dissipating capacity may be reduced and cause deterioration to or damage internal components.
 - The internal parts may occasionally deteriorate and be broken due to adverse heat radiation. Do not loosen the screws on the Power Supply.

Output Voltage Adjuster (V.ADJ)

Default Setting: Set at the rated voltage

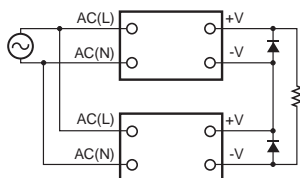
Adjustment Range : The output voltage can be adjusted to $\pm 10\%$ of the rated voltage with the voltage output adjuster (V.ADJ) on the front panel. Turning clockwise increases the output voltage, and turning counterclockwise decreases the output voltage.

- The output voltage adjuster (V.ADJ) may possibly be damaged if it is turned with unnecessary force. Do not turn the adjuster with excessive force.
- After completing output voltage adjustment, be sure that the output capacity or output current does not exceed the rated output capacity or rated output current.
- Adjusting the output voltage adjuster (V.ADJ) may cause the output voltage to exceed the voltage range. When adjusting the output voltage, check the output voltage of the Power Supply and be sure that the load is not destroyed.

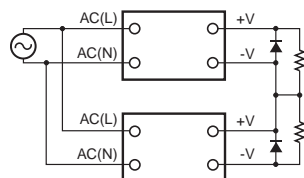
Series Operation

Two power supplies can be connected in series. The (\pm) voltage output can be accomplished with two Power Supplies.

Series Operation Correct



Output Voltage (\pm) Correct



Note: 1. If the load is short-circuited, a reverse voltage will be generated inside the Power Supply. If this occurs the Power Supply may possibly deteriorate or be damaged. Always connect a diode as shown in the figure. Select a diode having the following ratings.

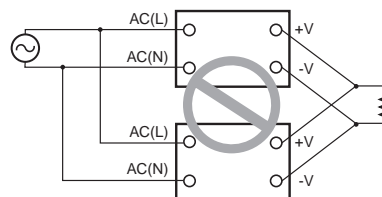
| Type | Schottky Barrier diode |
|----------------------------|---|
| Dielectric strength (VRRM) | Twice the rated output voltage or above |
| Forward current (IF) | Twice the rated output current or above |

2. Although Products having different specifications can be connected in series, the current flowing through the load must not exceed the smaller rated output current.

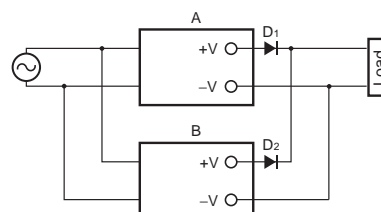
Parallel Operation

The Product is not designed for parallel operation.

Parallel Operation Incorrect



However, the following backup operation is possible. (External diodes are required.)



Use the same model for Power Supplies A and B.

- Type: Schottky barrier diode
- Dielectric strength (VRRM): Rated output voltage of the Power Supply or higher
- Forward current (IF): Twice the rated output current of the Power Supply or higher

- Set the output voltages of Power Supplies A and B higher to compensate for the decrease of the forward voltages (V_F) of diodes D1 and D2. Also, there will be a power loss equivalent to the output current (I_{out}) of the Power Supply multiplied by the forward voltage (V_F) of the diode. Therefore, cooling will be required to keep the temperature of the diodes lower than the catalog value.
- There will be a power loss caused by load power and diodes. Be sure not to exceed the rated power (rated output voltage times rated output current) of each Power Supply.

Overload Protection

- Internal parts may possibly deteriorate or be damaged if a shortcircuited, overload or boost load state continues during operation.
- Internal parts may possibly deteriorate or be damaged if the Power Supply is used for applications with frequent inrush current or overloading at the load end. Do not use the Power Supply for such applications.

Charging a Battery

When connecting a battery at the load, connect an overcurrent limiting circuit and overvoltage protection circuit.

In Case There Is No Output Voltage

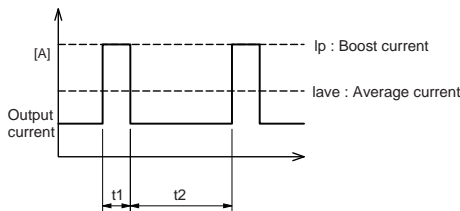
The possible cause for no output voltage may be that the overcurrent or overvoltage protection has operated. The internal protection may operate if a large amount of surge voltage such as a lightening surge occurs while turning ON the Power Supply.

In case there is no output voltage, please check the following points before contacting us:

- Checking overcurrent protected status:
Check whether the load is in overcurrent status or is short-circuited. Remove wires to load when checking.
- Checking overvoltage or internal protection:
Turn the power supply OFF once, and leave it OFF for at least 3 minutes for S8JX-P series. Then turn it ON again to see if this clears the condition.

Power Boost Function

- Do not allow the boost current to continue for more than the time given in the following figure (t1). Also, do not let the duty cycle exceed the following conditions. This may damage the power supply.
- Lessen the load of the boost load current by adjusting the ambient temperature and the mounting orientation.
- Ensure that the average current of one cycle of the boost current does not exceed the specified value. Doing so may cause the Power Supply to fail.

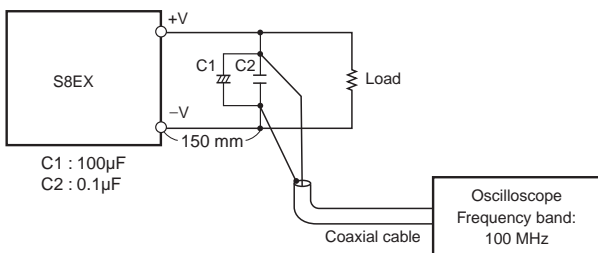


| Models | Boost current conditions |
|---|--|
| S8EX-BP050□□□ (50W) S8EX-BP100□□□ (100W) | <ul style="list-style-type: none"> • $t1 \leq 10s$ • $I_p \leq \text{Rated boost current}$ • $I_{ave} \leq \text{Rated current}$ • $\text{Duty} = \frac{t1}{t1+t2} \times 100[\%] \leq 20\%$ (90 to 170 VAC) 30% (170 to 264 VAC) |
| S8EX-BP150□□□ (150W) | <ul style="list-style-type: none"> • $t1 \leq 10s$ • $I_p \leq \text{Rated boost current}$ • $I_{ave} \leq \text{Rated current} \times 70\%$ (90 to 170 VAC) Rated current (170 to 264 VAC) • $\text{Duty} = \frac{t1}{t1+t2} \times 100[\%] \leq 10\%$ (90 to 170 VAC) 20% (170 to 264 VAC) |
| S8EX-BP240□□□ (240W) | <ul style="list-style-type: none"> • $t1 \leq 5s$ • $I_p \leq \text{Rated boost current}$ • $I_{ave} \leq \text{Rated current} \times 70\%$ (85 to 170 VAC) Rated current $\times 90\%$ (170 to 264 VAC) • $\text{Duty} = \frac{t1}{t1+t2} \times 100[\%] \leq 20\%$ |

Note: Make sure that the boost current meets the above conditions. Consult with your OMRON representative if any other conditions are required.

Ripple Noise Voltage

The specified standard for the ripple voltage noise was measured with a measurement circuit that is based on JEITA standard RC-9131A.



Terms and Conditions Agreement

Read and understand this catalog.

Please read and understand this catalog before purchasing the products. Please consult your OMRON representative if you have any questions or comments.

Warranties.

- (a) Exclusive Warranty. Omron's exclusive warranty is that the Products will be free from defects in materials and workmanship for a period of twelve months from the date of sale by Omron (or such other period expressed in writing by Omron). Omron disclaims all other warranties, express or implied.
- (b) Limitations. OMRON MAKES NO WARRANTY OR REPRESENTATION, EXPRESS OR IMPLIED, ABOUT NON-INFRINGEMENT, MERCHANTABILITY OR FITNESS FOR A PARTICULAR PURPOSE OF THE PRODUCTS. BUYER ACKNOWLEDGES THAT IT ALONE HAS DETERMINED THAT THE PRODUCTS WILL SUITABLY MEET THE REQUIREMENTS OF THEIR INTENDED USE.

Omron further disclaims all warranties and responsibility of any type for claims or expenses based on infringement by the Products or otherwise of any intellectual property right. (c) Buyer Remedy. Omron's sole obligation hereunder shall be, at Omron's election, to (i) replace (in the form originally shipped with Buyer responsible for labor charges for removal or replacement thereof) the non-complying Product, (ii) repair the non-complying Product, or (iii) repay or credit Buyer an amount equal to the purchase price of the non-complying Product; provided that in no event shall Omron be responsible for warranty, repair, indemnity or any other claims or expenses regarding the Products unless Omron's analysis confirms that the Products were properly handled, stored, installed and maintained and not subject to contamination, abuse, misuse or inappropriate modification. Return of any Products by Buyer must be approved in writing by Omron before shipment. Omron Companies shall not be liable for the suitability or unsuitability or the results from the use of Products in combination with any electrical or electronic components, circuits, system assemblies or any other materials or substances or environments. Any advice, recommendations or information given orally or in writing, are not to be construed as an amendment or addition to the above warranty.

See <http://www.omron.com/global/> or contact your Omron representative for published information.

Limitation on Liability; Etc.

OMRON COMPANIES SHALL NOT BE LIABLE FOR SPECIAL, INDIRECT, INCIDENTAL, OR CONSEQUENTIAL DAMAGES, LOSS OF PROFITS OR PRODUCTION OR COMMERCIAL LOSS IN ANY WAY CONNECTED WITH THE PRODUCTS, WHETHER SUCH CLAIM IS BASED IN CONTRACT, WARRANTY, NEGLIGENCE OR STRICT LIABILITY.

Further, in no event shall liability of Omron Companies exceed the individual price of the Product on which liability is asserted.

Suitability of Use.

Omron Companies shall not be responsible for conformity with any standards, codes or regulations which apply to the combination of the Product in the Buyer's application or use of the Product. At Buyer's request, Omron will provide applicable third party certification documents identifying ratings and limitations of use which apply to the Product. This information by itself is not sufficient for a complete determination of the suitability of the Product in combination with the end product, machine, system, or other application or use. Buyer shall be solely responsible for determining appropriateness of the particular Product with respect to Buyer's application, product or system. Buyer shall take application responsibility in all cases.

NEVER USE THE PRODUCT FOR AN APPLICATION INVOLVING SERIOUS RISK TO LIFE OR PROPERTY OR IN LARGE QUANTITIES WITHOUT ENSURING THAT THE SYSTEM AS A WHOLE HAS BEEN DESIGNED TO ADDRESS THE RISKS, AND THAT THE OMRON PRODUCT(S) IS PROPERLY RATED AND INSTALLED FOR THE INTENDED USE WITHIN THE OVERALL EQUIPMENT OR SYSTEM.

Programmable Products.

Omron Companies shall not be responsible for the user's programming of a programmable Product, or any consequence thereof.

Performance Data.

Data presented in Omron Company websites, catalogs and other materials is provided as a guide for the user in determining suitability and does not constitute a warranty. It may represent the result of Omron's test conditions, and the user must correlate it to actual application requirements. Actual performance is subject to the Omron's Warranty and Limitations of Liability.

Change in Specifications.

Product specifications and accessories may be changed at any time based on improvements and other reasons. It is our practice to change part numbers when published ratings or features are changed, or when significant construction changes are made. However, some specifications of the Product may be changed without any notice. When in doubt, special part numbers may be assigned to fix or establish key specifications for your application. Please consult with your Omron's representative at any time to confirm actual specifications of purchased Product.

Errors and Omissions.

Information presented by Omron Companies has been checked and is believed to be accurate; however, no responsibility is assumed for clerical, typographical or proofreading errors or omissions.

Note: Do not use this document to operate the Unit.

OMRON Corporation Industrial Automation Company
Tokyo, JAPAN

Contact: www.ia.omron.com

Regional Headquarters

OMRON EUROPE B.V.

Wegalaan 67-69-2132 JD Hoofddorp
The Netherlands
Tel: (31)2356-81-300/Fax: (31)2356-81-388

OMRON ELECTRONICS LLC

One Commerce Drive Schaumburg,
IL 60173-5302 U.S.A.
Tel: (1) 847-843-7900/Fax: (1) 847-843-7787

OMRON ASIA PACIFIC PTE. LTD.

No. 438A Alexandra Road # 05-05/08 (Lobby 2),
Alexandra Technopark,
Singapore 119967
Tel: (65) 6835-3011/Fax: (65) 6835-2711

OMRON (CHINA) CO., LTD.

Room 2211, Bank of China Tower,
200 Yin Cheng Zhong Road,
PuDong New Area, Shanghai, 200120, China
Tel: (86) 21-5037-2222/Fax: (86) 21-5037-2200

Authorized Distributor:

© OMRON Corporation 2012 All Rights Reserved.
In the interest of product improvement,
specifications are subject to change without notice.

CSM_6_1_0713
Cat. No. **T048-E1-04**

Printed in Japan
0413 (0112)