
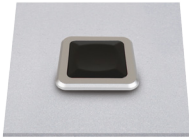
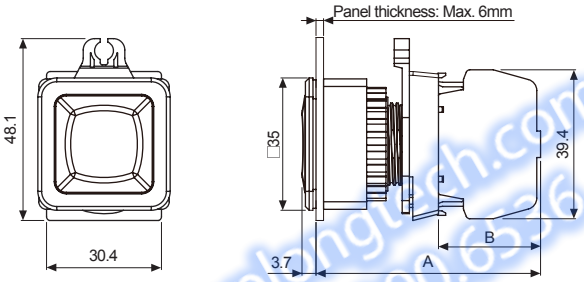


□30 Square Push Button Switches (SQ3PFS Series)

Type	Appearance	Model	Contact block		LED block										
			A contact	B contact	AC/DC voltage	AC voltage									
Flush	 <p>SQ3PFS-P1K□</p> 	SQ3PFS-P1□A(M)	1	—	—	—									
		SQ3PFS-P1□2A(M)	2	—											
		SQ3PFS-P1□3A(M)	3	—											
		SQ3PFS-P1□B(M)	—	1											
		SQ3PFS-P1□2B(M)	—	2											
		SQ3PFS-P1□3B(M)	—	3											
		SQ3PFS-P1□AB(M)	1	1											
		SQ3PFS-P1□2AB(M)	2	1											
		SQ3PFS-P1□A2B(M)	1	2											
		<p>※□ indicates color: R, B, G, Y, K</p> <p>※The M in the model name indicates modular type contact block. Models without M are singular contact block.</p> <p>※The control unit, contact blocks, LED blocks are sold separately. (control unit: bold letters, contact block: regular letters)</p> <p>• Dimensions (unit: mm)</p> <div style="display: flex; align-items: center;">  <table border="1" style="margin-left: 20px;"> <thead> <tr> <th></th> <th>A</th> <th>B</th> </tr> </thead> <tbody> <tr> <td>Singular type</td> <td>59.4</td> <td>27.0</td> </tr> <tr> <td>Modular type</td> <td>57.4</td> <td>25.0</td> </tr> </tbody> </table> </div> <p style="text-align: right;">※For panel cut-out dimensions, please refer to page A-104.</p>								A	B	Singular type	59.4	27.0	Modular type
	A	B													
Singular type	59.4	27.0													
Modular type	57.4	25.0													



□30 Push Button Switches

Control Switches

Ø16

Ø22/25

Ø30

□30

Push Button Switches

Round

Square

Rectangular

Selector Switches

Round

Square

Rectangular

Key Selector Switches

Round

Square

Rectangular

Double Push Button Switches




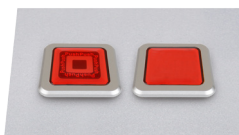

Mushroom-head Push Button Switches

Emergency Switches

Pilot Lights

Accessories

Buzzers

Type	Appearance	Model	Contact block		LED block		
			A contact	B contact	AC/DC voltage	AC voltage	
Flush (illuminated)	 <p>SQ3PFS-P3Y□</p>  <p>SQ3PFS-P3Y□</p>  <p>SQ3PFS-P3YU□</p>  	Standard	SQ3PFS(U)-P3□AD(M)	1	—	1	—
			SQ3PFS(U)-P3□2AD(M)	2	—		
			SQ3PFS(U)-P3□BD(M)	—	1		
			SQ3PFS(U)-P3□2BD(M)	—	2		
			SQ3PFS(U)-P3□ABD(M)	1	1		
			SQ3PFS(U)-P3□AL(M)	1	—		
			SQ3PFS(U)-P3□2AL(M)	2	—		
			SQ3PFS(U)-P3□BL(M)	—	1		
			SQ3PFS(U)-P3□2BL(M)	—	2		
			SQ3PFS(U)-P3□ABL(M)	1	1		
		Arrows (Left/Right)	SQ3PFS-P3□LAD(M)	1	—	1	—
			SQ3PFS-P3□L2AD(M)	2	—		
			SQ3PFS-P3□LBD(M)	—	1		
			SQ3PFS-P3□L2BD(M)	—	2		
			SQ3PFS-P3□LABD(M)	1	1		
			SQ3PFS-P3□LAL(M)	1	—		
			SQ3PFS-P3□L2AL(M)	2	—		
			SQ3PFS-P3□LBL(M)	—	1		
			SQ3PFS-P3□L2BL(M)	—	2		
			SQ3PFS-P3□LABL(M)	1	1		
		Arrows (Up/Down)	SQ3PFS-P3□UAD(M)	1	—	1	—
			SQ3PFS-P3□U2AD(M)	2	—		
			SQ3PFS-P3□UBD(M)	—	1		
			SQ3PFS-P3□U2BD(M)	—	2		
			SQ3PFS-P3□UABD(M)	1	1		
			SQ3PFS-P3□UAL(M)	1	—		
			SQ3PFS-P3□U2AL(M)	2	—		
			SQ3PFS-P3□UBL(M)	—	1		
SQ3PFS-P3□U2BL(M)	—		2				
SQ3PFS-P3□UABL(M)	1		1				

※□ indicates color: **R**, **B**, **G**, **Y**, **W**

※Models without 'U' in the model name contain "Push" markings on the button cap.

※The M in the model name indicates modular type contact block. Models without M are singular contact block.

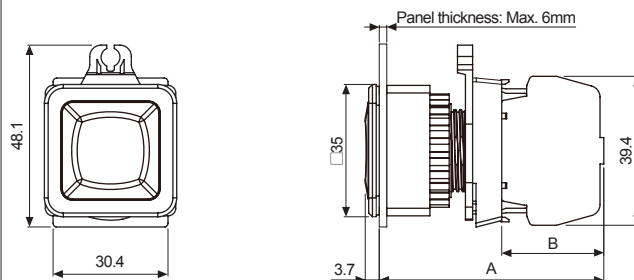
※The control unit, contact blocks, LED blocks are sold separately.

(control unit: bold letters, contact and LED block: regular letters)

※The LED color is the same as the control unit.

• Dimensions

(unit: mm)



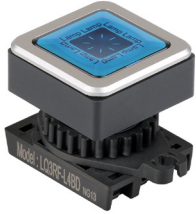
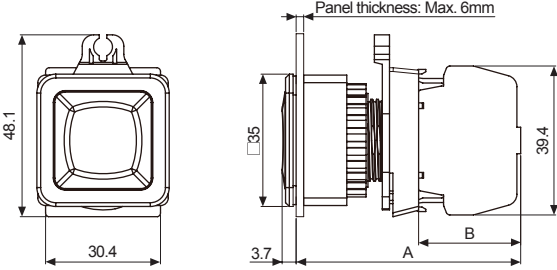
	A	B
Singular type	59.4	27.0
Modular type	57.4	25.0

※For panel cut-out dimensions, please refer to page A-104.



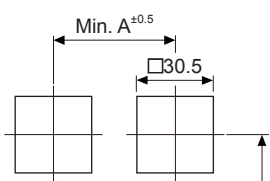
□30 Pilot Lights

□30 Pilot Lights (LQ3RF Series)

Type	Appearance	Model	Contact block		LED block										
			A contact	B contact	AC/DC voltage	AC voltage									
Flat square (flush)	 LQ3RF-L4B□	LQ3RF-L4□D(M)	—	—	1	—									
		LQ3RF-L4□L(M)			—	1									
<p>※□ indicates color: R, B, G, Y, W</p> <p>※The M in the model name indicates modular type LED block. Models without M are singular LED block.</p> <p>※The light unit and LED blocks are sold separately. (light unit: bold letters, LED block: regular letters)</p> <p>※The LED color is the same as the control unit.</p> <p>• Dimensions (unit: mm)</p> <div style="display: flex; align-items: center;">  <table border="1" style="margin-left: 20px;"> <thead> <tr> <th></th> <th>A</th> <th>B</th> </tr> </thead> <tbody> <tr> <td>Singular type</td> <td>59.4</td> <td>27.0</td> </tr> <tr> <td>Modular type</td> <td>57.4</td> <td>25.0</td> </tr> </tbody> </table> </div> <p style="text-align: right;">※For panel cut-out dimensions, please refer to page A-104.</p>								A	B	Singular type	59.4	27.0	Modular type	57.4	25.0
	A	B													
Singular type	59.4	27.0													
Modular type	57.4	25.0													

□30 Panel Cut-out Dimensions

(unit: mm)

Type	A	B	Panel Cut-out Dimensions
Square Push Button Switches (SQ3PFS Series)	45	55	
Pilot Lights (LQ3RF Series)	37	55	