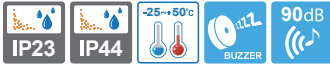


ST56MB

Ø56mm Bulb Steady/Flashing Tower Lights



- ST56MB** Steady
- ST56MB-BZ** Built-in Buzzer Steady
- ST56MBF** Steady/Flashing
- ST56MBF-BZ** Built-in Buzzer Steady/Flashing



ST56MB series

Built-in buzzer output holes formed on the housing of the product.



ST56MB Ø56mm Direct Mount, Bulb Steady/Flashing

Model number	Layer	Voltage	Current	Bulb			Certificates	Weight	Color
				Spec	Standard	Parts no#			
ST56MB Steady ST56MB-BZ Steady /w built-in buzzer ST56MBF Steady/ Flashing ST56MBF-BZ Steady/Flashing /w built-in buzzer	1	AC/DC12V	0.925A	12V10W	T16x35 15S	9	CE DC only	0.30kg	● R-Red
		AC/DC24V	0.514A	24V10W	T16x35 15S	10		0.30kg	
		AC110V	0.095A	110V10W	T16x35 15S	12		0.30kg	
		AC220V	0.046A	220V10W	T16x35 15S	13		0.30kg	
	2	AC/DC12V	1.851A	12V10W	T16x35 15S	9		0.39kg	● R-Red ● G-Green
		AC/DC24V	1.028A	24V10W	T16x35 15S	10		0.39kg	
		AC110V	0.191A	110V10W	T16x35 15S	12		0.39kg	
		AC220V	0.093A	220V10W	T16x35 15S	13		0.39kg	
	3	AC/DC12V	2.776A	12V10W	T16x35 15S	9		0.46kg	● R-Red ● A-Amber ● G-Green
		AC/DC24V	1.543A	24V10W	T16x35 15S	10		0.46kg	
		AC110V	0.286A	110V10W	T16x35 15S	12		0.46kg	
		AC220V	0.140A	220V10W	T16x35 15S	13		0.46kg	
	4	AC/DC12V	3.702A	12V10W	T16x35 15S	9		0.54kg	● R-Red ● A-Amber ● G-Green ● B-Blue
		AC/DC24V	2.057A	24V10W	T16x35 15S	10		0.54kg	
		AC110V	0.382A	110V10W	T16x35 15S	12		0.54kg	
AC220V		0.186A	220V10W	T16x35 15S	13	0.54kg			
5	AC/DC12V	4.627A	12V10W	T16x35 15S	9	0.62kg	● R-Red ● A-Amber ● G-Green ● B-Blue ● W-White		
	AC/DC24V	2.572A	24V10W	T16x35 15S	10	0.62kg			
	AC110V	0.477A	110V10W	T16x35 15S	12	0.62kg			
	AC220V	0.233A	220V10W	T16x35 15S	13	0.62kg			

Signal/ Audible Line Current(per each layer)

Voltage	AC/DC12V	AC/DC24V	AC110V	AC220V
Signal Line Current	0.925A	0.541A	0.095A	0.046A
Audible Line Current	0.016A	0.031A	0.027A	0.030A

Customization

- 2 buzzer sound types : Both prolonged (beep, beep) and staccato (beep, beep, beep) buzzer output available
- Wall mount bracket options : Bracket structure allows for threading through the bracket hole or into the wall



Wall Mount Bracket
TWS45



Wall Mount Bracket
TWA45

Ordering Specification

ST56MB	-	3	-	24	-	RAG
[Model number]		[Layer]		[Voltage]		[Color]
• ST56MB • ST56MB-BZ • ST56MBF • ST56MBF-BZ		• 1-1Layer • 2-2Layers • 3-3Layers • 4-4Layers • 5-5Layers		• 12-DC12V • 24-DC24V • 110-AC110V • 220-AC220V		● R-Red ● A-Amber ● G-Green ● B-Blue ● W-White

ST56MB/ ST56B

Ø56mm Bulb Steady/Flashing Tower Lights

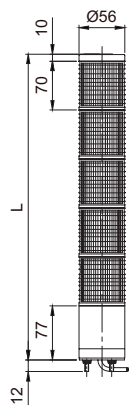


Technical Diagram

(Units : mm)

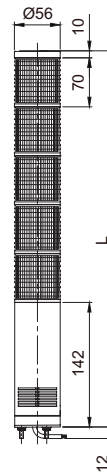
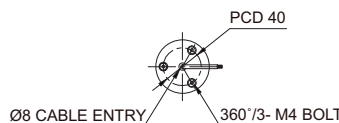
ST56MB : AC/DC
ST56MB-BZ : AC/DC
ST56MBF : AC/DC

ST56MBF-BZ : AC/DC



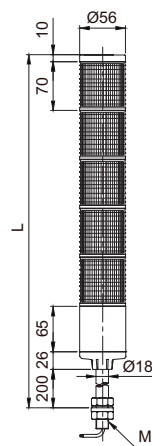
LAYER	L
1	157
2	227
3	297
4	367
5	437

LAYER	L
1	222
2	292
3	362
4	432
5	502



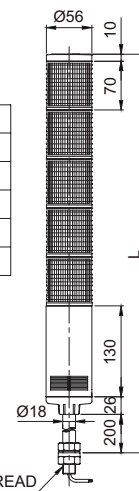
ST56B : AC/DC
ST56B-BZ : AC/DC
ST56BF : AC/DC

ST56BF-BZ : AC/DC



LAYER	L
1	371
2	441
3	511
4	581
5	651

LAYER	L
1	436
2	506
3	576
4	646
5	716



Wiring Instructions

- External power line standard : UL1015 AWG18(0.75sq)×2C 400mm
- Signal line standard : UL1007 AWG22(0.3sq) 400mm

※ Please refer to page 264 for detailed wiring instructions.

ST45B/ ST56B/ ST80B series

Bulb Steady/Flashing Tower Lights

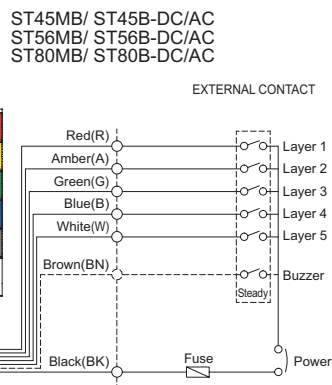


Wiring Instructions

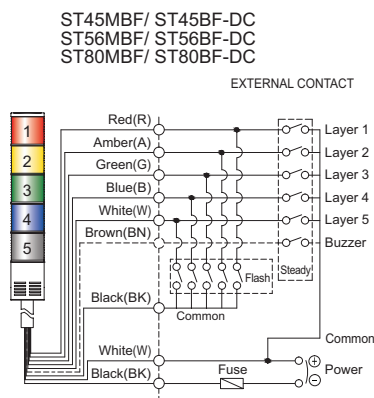
- Please wire by following below instructions for ST45MB/ ST45B, ST56MB/ ST56B and ST80MB/ ST80B series.
- Bulb tower lights do not allow transistor wiring. Please use external contact.

External contact

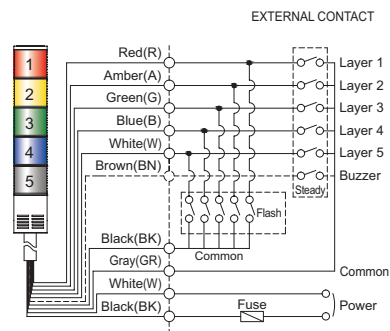
Steady



Steady/
Flashing



ST45MBF/ ST45BF-AC
ST56MBF/ ST56BF-AC
ST80MBF/ ST80BF-AC



- External power line standard : UL1015 AWG18(0.75sq)×2C 400mm
- Signal line standard : UL1007 AWG22(0.3sq) 400mm

