



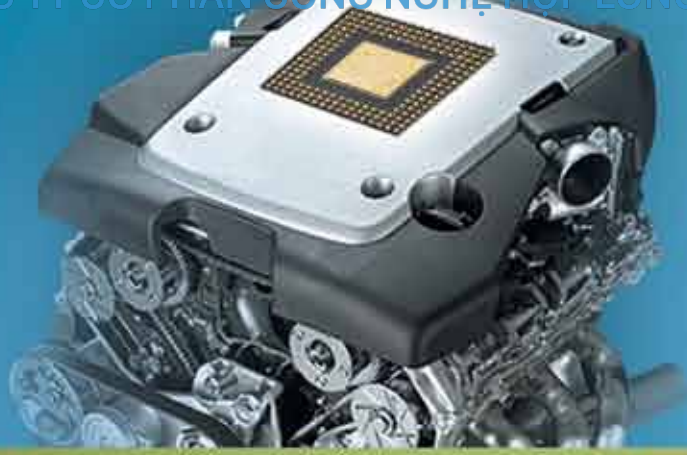
High Torque Performance and Precise Control

STARVERT *iS7*

0.75~75kW 3Phase 200 ~ 230Volts
0.75~375kW 3Phase 380 ~ 480Volts



Hotline: 1900.6536 - Website: HOPLONGTECH.COM



User-Friendly Options

Diverse communication options, expansion I/O options,
PLC options, encoder options, IP54 enclosure options



Contents

- 04 Features
- 10 Model & Type
- 11 Specifications
- 14 Dimensions
- 23 Peripheral Device

iS7 generates a more powerful performance through its superior V/F control, V/F PG, slip compensation, and sensorless vector control. The iS7 focuses on a user-friendly interface and environment-friendly features including a wide graphic LCD keypad, user & macro group support, electro-thermal functions for motor protection, and protection for input/output phase loss.

INDUSTRIAL AUTOMATION

The iS7 sets the world standard for drives (VFDs) because of its features that meet all of your needs in AC drives. The iS7 offers powerful performance, flexibility through diverse options, and a more convenient and user-friendly interface. The iS7 offers more than you can imagine.



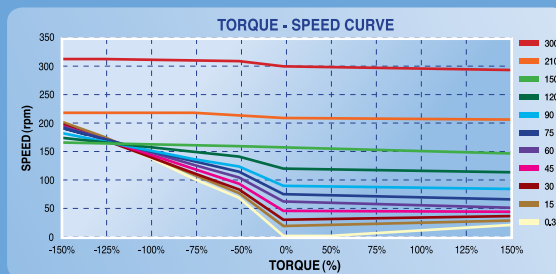
iS7 is dependable because it has high performance and reliability.



iS7 Feature | Reliability & High Performance

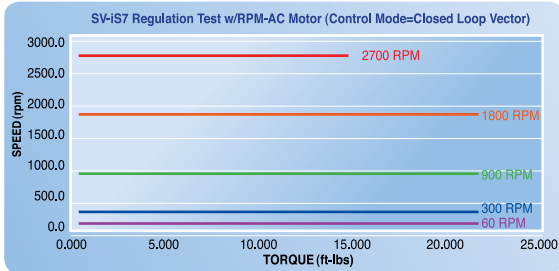
Reliability

- ▶ Powerful electric current type sensorless vector control
Our iS7 technology includes a competitive and strong low-speed torque control and a speed-precision-driven vector algorithm.
- Speed control range 100:1
- Extremely low torque control capability: 0.1Hz/150% real torque
- Max. torque control capability within the restoration range

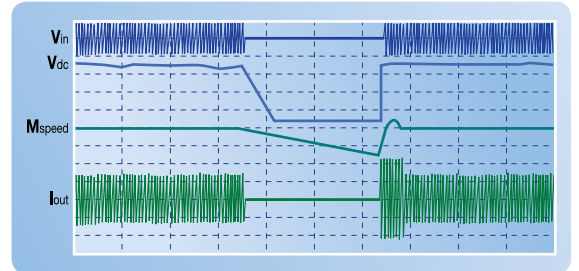


High Performance

- **Sensored vector realizing precise speed/torque control**
In the entire speed range including zero speed, powerful torque (more than 250%) performance is materialized through receiving Max. 200kHz frequency pulse via encoder-dedicated board.
 - Speed control range 1000:1
 - Instant Max. torque control capability 250%
 - 50Hz speed control response



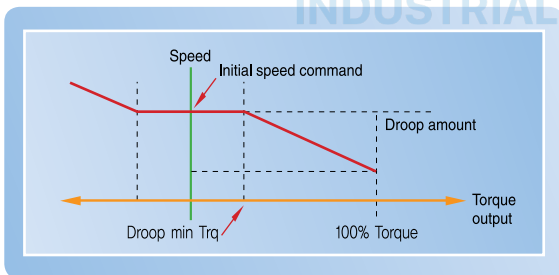
- **Ride-through (LV trip delay) for sudden power loss**



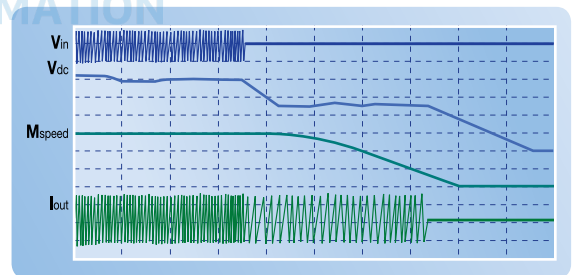
Powerful Performance

V/F control, V/F PG, slip compensation, sensorless vector control

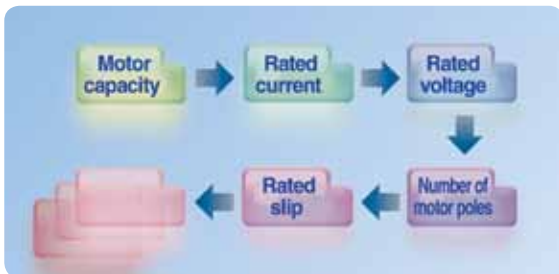
- **Automatic torque balance droop control**
Droop control algorithm adjusts changeable torque driven by speed. This algorithm is easily applicable to open loop linking driving and load sharing driving.



- **Kinetic Energy Buffering (KEB) for a stable system stop in case of power loss or failure**



- **Easy start parameter setting**



- **Power and flux braking for maximum deceleration**

iS7 is flexible because it is easily expandable.

User-Friendly Options

Diverse communication options, expansion I/O options, PLC options, encoder options, IP54 enclosure options

iS7 Feature | Flexibility & Expansion

Flexibility

INDUSTRIAL AUTOMATION

- ▶ **iS7 offers options with flexibility and expandability.**
 - Built-in Built in RS485 & Modbus-RTU communication
 - Profibus-DP, DeviceNet, LonWorks options
 - Expandable I/O options: Max. input 11 points, Max. output 6 points
 - PLC options: Max. input 14 points, Max. output 7 points for Master-K platform
 - Encoder options
 - IP54 enclosure options

▶ PLC Card

- Master-K 120S platform
- Normal input 6 points (Sink/Source selectable), Max. input 14 points when expanded
- Normal output 4 points (N.O. Relay), Max. output 7 points when expanded
- RTC (Real Time Clock)
- KGL WIN operating system



▶ Encoder Card

- Closed loop control
- Pulse train reference
- 5/12/15 V insulated power supply
- Line driver or open collector
- 200kHz Max. input frequency
- Signal loss detection



▶ Profibus-DP Card

- Profibus dedicated connector
- Max. 12Mbps communication speed
- Max. 32 stations per segment
- Bus topology
- Enhanced on-line diagnosis



▶ Safety Card

- 2-Channel STO function (STO : Safety Torque Off)
- Safety standard certified



Ethernet Card

- Modbus TCP, Ethernet IP Protocol support
- 10Mbps, 100Mbps communication speed
- Half duplex, full duplex support
- Auto negotiation
- Max. 100m(328ft.) transmission distance
- CSMA/CD communication access method



LonWorks

- 78kbps communication speed
- Free/bus topology
- Resistance built-in per topology
- Max. 2700m (8858 ft.) connection distance (bus topology)



DeviceNet

- Communication speed: 125kbps, 250kbps, 500kbps
- Free/Bus topology
- Max. 64 node connection points
- Max. 500m (1640 ft.) transmission distance (125kbps)



I/O Expansion Card

- Insulated I/O 3 points each
- Ext-1
Analog voltage (-10~10V) I/O 1 point
Analog current (0~20mV) I/O 1 point
- Ext-2
Analog voltage (-10~10V) I/O 2 points
Analog current (0~20mV) I/O 2 points



R-Net Card

- 1Mbps Communication speed
- Manchester Biphase-L Frame synchronization
- Max. 64 node connection points
- Max. 750m transmission distance (segment each)



CanOpen Card

- 1Mbps communication speed
- Bus Topology
- Max. 64 node connection points (include master)
- PDO, SDO, Sync, NMC communication support
- Support profile:
PDO1 (CIA402 drive & motion control device profile)
PDO3 (LS Profile)



Built-in RS485 & Modbus-RTU

- Multi drop link focused RS485, Modbus built-in
- Connecting up to 16 AC drives
- Max. 1200m (3937 ft.) communication distance (valid distance: 700m (2297 ft.))
- Protection algorithm under command lost
- Real time running and monitoring with drive view software

Drive Copy Unit (UX-07V1)

- Support products: iS7, iE5
- Support function:
Parameter copy, RS485 converter
- Copy speed: 9,600bps (iE5) / 19,200bps (iS7)
- Max. save paramete: 5 Sets
- Converter support speed:
1,200 / 2,400 / 9,600 / 19,200 / 38,400 bps

Position Control Option Card

- Closed loop control
- Pulse train reference
- 5/12/15V insulated power supply
- Line driver or open collector
- 200kHz Max. input frequency
- Signal loss detection
- External brake control

CC-Link Card

- 10Mbps communication speed
- Connecting up to 42 AC drives
- Station type: Remote device station
- 1 connection point for 1 AC drive

Synchronization Option Card

- Closed loop control
- 100kHz Max. input frequency
- Position/Speed synchronization
- Synchronization hold (only slave)
- 15 slaves per master(3 serial - 5 parallel max)
- Open collector output : 26V/100mA (2 points)

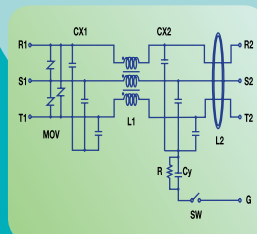
iS7 is convenient because it has a user friendly interface.



iS7 Feature | Convenience & Environment

Convenience INDUSTRIAL AUTOMATION Environment

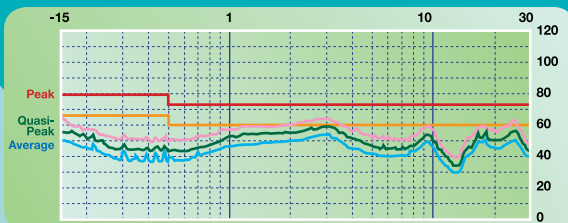
- ▶ EMC filter (in conformity with EN61800-3) built-in for protection from excessive electronic distortion



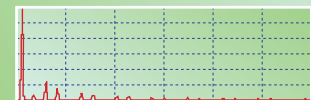
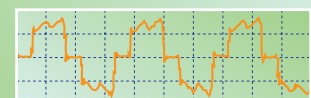
- ▶ DC reactor built-in for harmonic reduction and power factor improvement



Overloading rate	110% (VT rated standard)
THD	18 ~ 37%
power factor	94 ~ 96%
IP Level	IP21
Insulation Class	155°C (300°F)

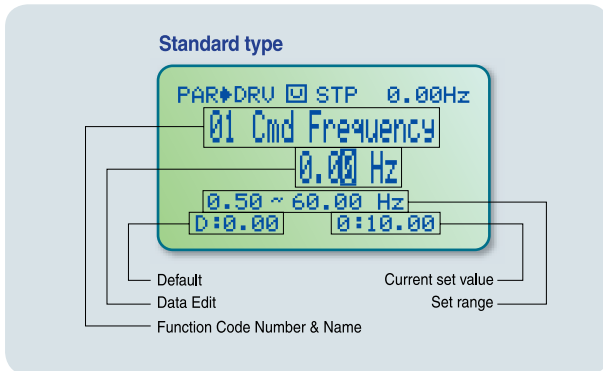


Input current and THD analysis



THD : 29.3% PF : 95.9%

➤ Widened graphic LCD keypad

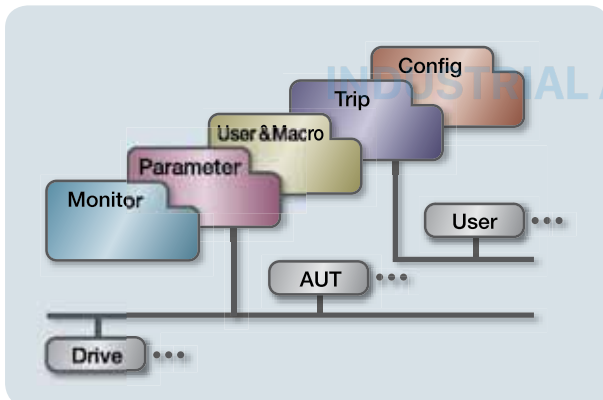


➤ Multi-language support (5 languages)

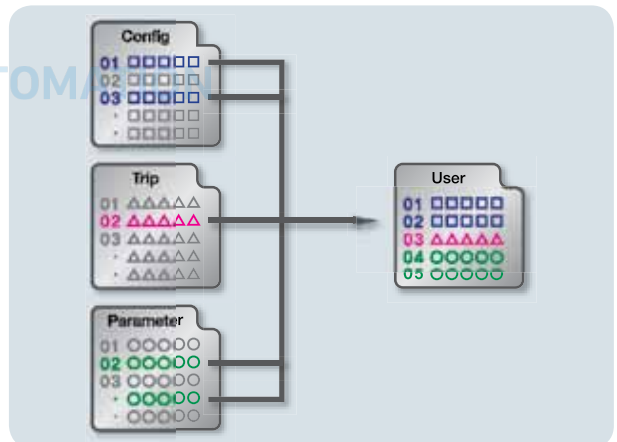


Convenience through User-friendly Interface

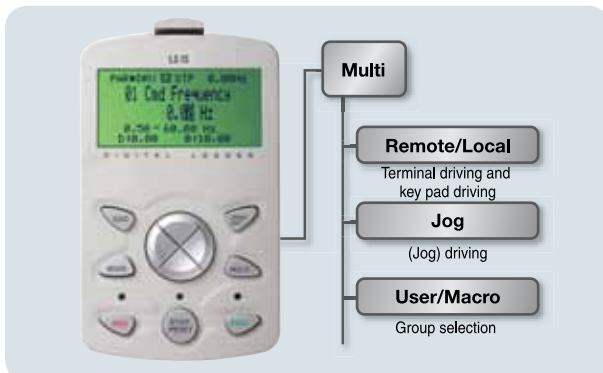
➤ Efficient architecture of 5-mode 15-parameter groups



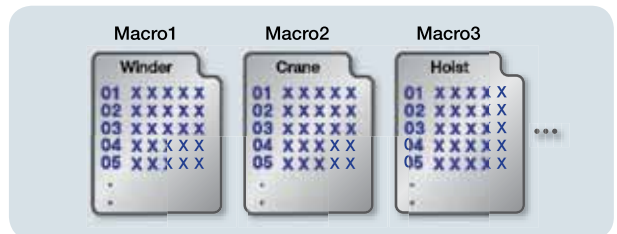
➤ User & macro group support



➤ Multi-function key

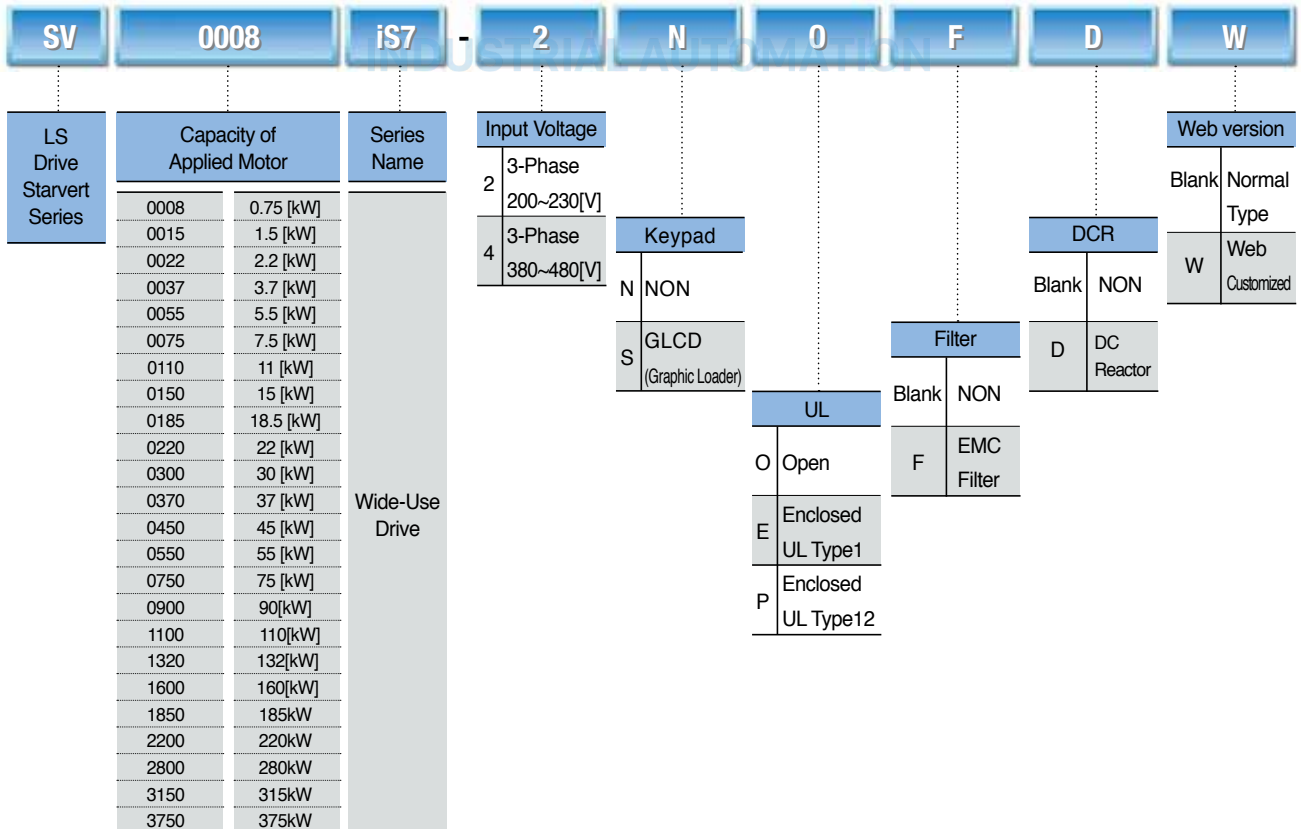


➤ Protective functions dedicated motor control



Model and Type

Applied motors	220V class	400V class
0.75kW	SV0008 iS7-2NOFD	SV0008 iS7-4NOFD
1.5kW	SV0015 iS7-2NOFD	SV0015 iS7-4NOFD
2.2kW	SV0022 iS7-2NOFD	SV0022 iS7-4NOFD
3.7kW	SV0037 iS7-2NOFD	SV0037 iS7-4NOFD
5.5kW	SV0055 iS7-2NOFD	SV0055 iS7-4NOFD
7.5kW	SV0075 iS7-2NOFD	SV0075 iS7-4NOFD
11kW	SV0110 iS7-2NOFD	SV0110 iS7-4NOFD
15kW	SV0150 iS7-2NOFD	SV0150 iS7-4NOFD
18.5kW	SV0185 iS7-2NOFD	SV0185 iS7-4NOFD
22kW	SV0220 iS7-2NOFD	SV0220 iS7-4NOFD
30kW	SV0300 iS7-2SO	SV0300 iS7-4NOD
37kW	SV0370 iS7-2SO	SV0370 iS7-4NOD
45kW	SV0450 iS7-2SO	SV0450 iS7-4NOD
55kW	SV0550 iS7-2SO	SV0550 iS7-4NOD
75kW	SV0075 iS7-2SO	SV0750 iS7-4NOD
90kW		SV0900 iS7-4SOD
110kW		SV1100 iS7-4SOD
132kW		SV1320 iS7-4SOD
160kW		SV1600 iS7-4SOD
185kW		SV1850iS7-4SOD
220kW		SV2200iS7-4SOD
280kW		SV2800iS7-4SO
315kW		SV3150iS7-4SO
375kW		SV3750iS7-4SO



Specification

Rated Input and Output: Input voltage of 200V class (0.75~22kW)

Type: SV □□□□ iS7-2 □		0008	0015	0022	0037	0055	0075	0110	0150	0185	0220	
Motor Applied *1)	[HP]	1	2	3	5	7.5	10	15	20	25	30	
	[kW]	0.75	1.5	2.2	3.7	5.5	7.5	11	15	18.5	22	
Rated Output	Rated Capacity [kVA] *2)	1.9	3.0	4.5	6.1	9.1	12.2	17.5	22.9	28.2	33.5	
	Rated Current [A] *3)	CT	5	8	12	16	24	32	46	60	74	88
		VT	8	12	16	24	32	46	60	74	88	124
	Output Frequency [Hz]	0 ~ 400 [Hz] *4)										
Output Voltage [V]	3-phase 200 ~ 230V *5)											
Rated Input	Available Voltage [V]	3-phase 200 ~ 230 VAC (-15% ~ +10%)										
	Frequency [Hz]	50 ~ 60 [Hz] (±5%)										
	Rated Current [A]	CT	4.3	6.9	11.2	14.9	22.1	28.6	44.3	55.9	70.8	85.3
VT		6.8	10.6	14.9	21.3	28.6	41.2	54.7	69.7	82.9	116.1	

2.1.2 Rated Input and Output: Input voltage of 200V class (30~75kw)

Type: SV □□□□ iS7-2 □		0300	0370	0450	0550	0750	-	-	-	-	-	
Motor Applied *1)	[HP]	40	50	60	75	100	-	-	-	-	-	
	[kW]	30	37	45	55	75	-	-	-	-	-	
Rated Output	Rated Capacity [kVA] *2)	46	57	69	84	116	-	-	-	-	-	
	Rated Current [A] *3)	CT	116	146	180	220	288	-	-	-	-	-
		VT	146	180	220	288	345	-	-	-	-	-
	Output Frequency [Hz]	0 ~ 400 [Hz] *4) (Sensorless -1: 0 ~ 300Hz, Sensorless -2, Vector. 0 ~ 120Hz)										
Output Voltage [V]	3-phase 200 ~ 230V *5)											
Rated Input	Available Voltage [V]	3-phase 200 ~ 230 VAC (-15% ~ +10%)										
	Input Frequency	50 ~ 60 [Hz] (±5%)										
	Rated Current [A]	CT	121	154	191	233	305	-	-	-	-	-
VT		152	190	231	302	362	-	-	-	-	-	

* Non DCR products are provided warranty service when used in CT (Heavy duty) load rating only.

Rated Input and Output: Input voltage of 400V class (0.75~22kW)

Type: SV □□□□ iS7-4 □		0008	0015	0022	0037	0055	0075	0110	0150	0185	0220	
Motor Applied *1)	[HP]	1	2	3	5	7.5	10	15	20	25	30	
	[kW]	0.75	1.5	2.2	3.7	5.5	7.5	11	15	18.5	22	
Rated Output	Rated Capacity [kVA] *2)	1.9	3.0	4.5	6.1	9.1	12.2	18.3	22.9	29.7	34.3	
	Rated Current [A] *3)	CT	2.5	4	6	8	12	16	24	30	39	45
		VT	4	6	8	12	16	24	30	39	45	61
	Output Frequency [Hz]	0 ~ 400 [Hz] *4)										
Output Voltage [V]	3-phase 380 ~ 480V *5)											
Rated Input	Available Voltage [V]	3-phase 380 ~ 480 VAC (-15% ~ +10%)										
	Frequency	50 ~ 60 [Hz] (±5%)										
	Rated Current [A]	CT	2.2	3.6	5.5	7.5	11.0	14.4	22.0	26.6	35.6	41.6
VT		3.7	5.7	7.7	11.1	14.7	21.9	26.4	35.5	41.1	55.7	

*1) Motor Applied indicates the maximum capacity of a standard 4 pole OTIS-LG motor.

*2) Rated Capacity: the input capacity of a 200V class is based on 220V and that of a 400V class is based on 440V. The current rating is based on CT current.

*3) The output of rated current is limited according to the setting of the carrier frequency (CON-04).

*4) You can set the frequency at up to 300Hz by selecting 3, 4 Sensorless-1, Sensorless-2 as the control mode (DRV-09 Control Mode).

*5) The maximum output voltage does not go over the supplied power voltage. You can select the output voltage as you want below the supplied power voltage.

Specifications

Rated Input and Output: Input voltage of 400V class (30~375kW)

Type: SV □□□□ iS7-4 □		0300	0370	0450	0550	0750	0900	1100	1320	1600	1850	2200	2850	3150	3750	
Motor Applied *1)	[HP]	40	50	60	75	100	120	150	180	225	250	300	375	420	500	
	[kW]	30	37	45	55	75	90	110	132	160	185	220	285	315	375	
Rated Output	Rated Capacity [kVA] *2)	46	57	69	84	116	139	170	201	248	286	329	416	467	557	
	Rated Current [A] *3)	CT	61	75	91	110	152	183	223	264	325	370	432	547	613	731
		VT	75	91	110	152	183	223	264	325	370	432	547	613	731	877
	Output Frequency [Hz]	0 ~ 400 [Hz] (Sensorless-1: 0 ~ 300Hz, Sensorless-2, Vector: 0 ~ 120Hz) *4)														
Output Voltage [V]	3-phase 380 ~ 480V *5)															
Rated Input	Available Voltage [V]	3-phase 380 ~ 480 VAC (-15% ~ +10%)														
	Frequency [Hz]	50 ~ 60 [Hz] (±5%)														
	Rated Current [A]	CT	55.5	67.9	82.4	102.6	143.4	174.7	213.5	255.6	316.3	404	466	605	674	798
VT		67.5	81.7	101.8	143.6	173.4	212.9	254.2	315.3	359.3	463	590	673	796	948	

*1) Motor Applied indicates the maximum capacity of a standard 4 pole OTIS-LG motor.

*2) Rated Capacity: the input capacity of a 200V class is based on 220V and that of a 400V class is based on 440V. The current rating is based on CT current.

*3) The output of rated current is limited according to the setting of the carrier frequency (CON-04).

*4) You can set the frequency at up to 300Hz by selecting 3, 4 Sensorless-1, Sensorless-2 as the control mode (DRV-09 Control Mode).

*5) The maximum output voltage does not go over the supplied power voltage. You can select the output voltage as you want below the supplied power voltage.

Control

Control Method	V/F control, V/F PG, slip compensation, sensorless vector control, vector control
Frequency Setting Resolution	Digital command: 0.01Hz Analog command: 0.06Hz (maximum frequency: 60Hz)
Frequency Tolerance	Digital command operation: 0.01% of the maximum frequency Analog command operation: 0.1% of the maximum frequency
V/F Pattern	Linear, double reduction, user V/F
Overload Capacity	CT current rating :150% for 1 minute, 200% for 22 seconds, VT current rating :110% for 1 minute
Torque Boost	Manual torque boost, automatic torque boost

Specifications

Specifications

Operating Method		Selectable among keypad/terminal block/communication operation	
Frequency Setting		Analog: 0 ~ 10[V], -10 ~ 10[V], 0 ~ 20[mA] Digital: keypad	
Operating Function		PID control, up-down operation, 3-wire operation, DC brake, frequency limit, frequency jump, second function, slip compensation, reverse rotation prevention, auto restart, drive by-pass, auto tune flying start, energy buffering, power braking, flux braking, leakage current reduction, MMC, easy start	
Input	Multi-function terminal (8 points) P1 ~ P81 ^{*1)}	NPN / PNP selectable	
		Function: forward operation; reverse operation; reset; external trip; emergency stop; jog operation; sequential frequency-high; medium and low; multi-level acceleration and deceleration-high; medium and low; D.C. control during stop; selection of a second motor; frequency increase; frequency decrease; 3-wire operation; change to general operation during PID operation; main body operation during option operation; analog command frequency fixation; acceleration and deceleration stop selectable	
Output	Multi-function open collector terminal	Drive fault output	Below DC 24V 50mA
	Multi-function relay terminal		Below (N.O., N.C.) AC250V 1A, Below DC 30V 1A
	Analog output	0 ~ 10 Vdc (below 10mA): selectable from frequency, current, voltage, direct current voltage	

^{*1)} The Functions for Multi-function terminal available according to IN-65~72 parameter setting of IN Group.

Protective Functions

Trip	Over voltage, low voltage, over current, over current detection, drive overheat, motor thermal protection, phase loss protection, overload protection, communication error, frequency command loss, hardware failure, cooling fan failure, pre-PID failure, no motor trip, external brake trip. etc
Alarm	Stall prevention, overload, diminished load, encoder error, fan failure, keypad command loss, speed command loss.
Instantaneous Interruption ^{*2)}	Below CT class 15 msec (VT class 8 msec): operation continues (within rated input voltage, rated output) Over CT class 15 msec (VT class 8 msec): automatic restart

^{*2)} Operation at the CT (Heavy Duty) current rating

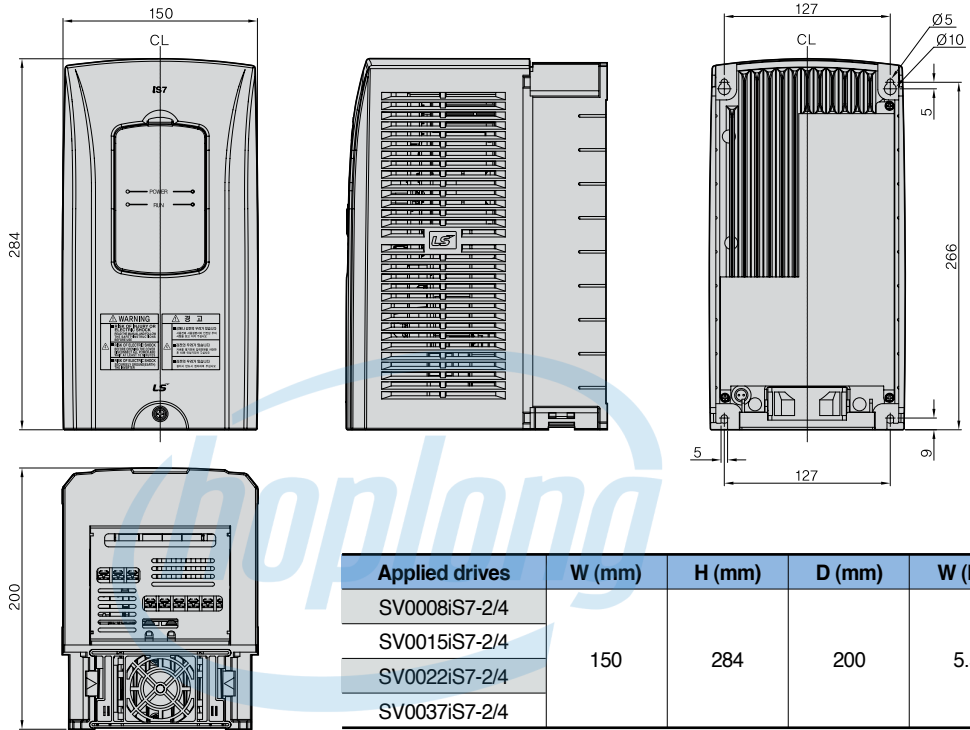
Structure and Use Environment

Cooling Method	Forced air blast cooling: 0.75 ~ 15kW (200/400V class), 22kW (400V class) Inhalation cooling: 22 ~ 75kW (200V class), 30 ~ 160kW (400V class)
Protection Structure	Below 75kW: Open Type(IP21), UL enclosed type 1 (Option) ^{*3)} 30 ~ 75kW 200V, Above 90kW: Open type(IP00) The others (Below 22kW): Enclosed IP54 type, UL enclosed type 12
Surrounding Temperature	CT (Heavy Duty) load: -10 ~ 50°C, (14 ~ 122°F) without ice or frost VT (Normal Duty) load: -10~ 40°C (14 ~ 122°F) without ice or frost (It is recommended that you use less than 80% load when you use VT load at 50°C (122°F)) IP54 product: -10~40°C (14~122°F) without ice or frost
Preservation Temperature	-20 ~ 65°C (-4 ~ 149°F)
Surrounding Humidity	Below 90% RH of relative humidity (with no dew formation)
Altitude, Vibration	Below 1,000m (3280 ft), below 5.9m/sec 2 (19.36 ft/sec 2, 0.6G)
Environment	There should be no corrosive gas, flammable gas, oil mist or dust. Pollution Degree 2 Environment

^{*3)} UL Enclosed type 1 with conduit box installed

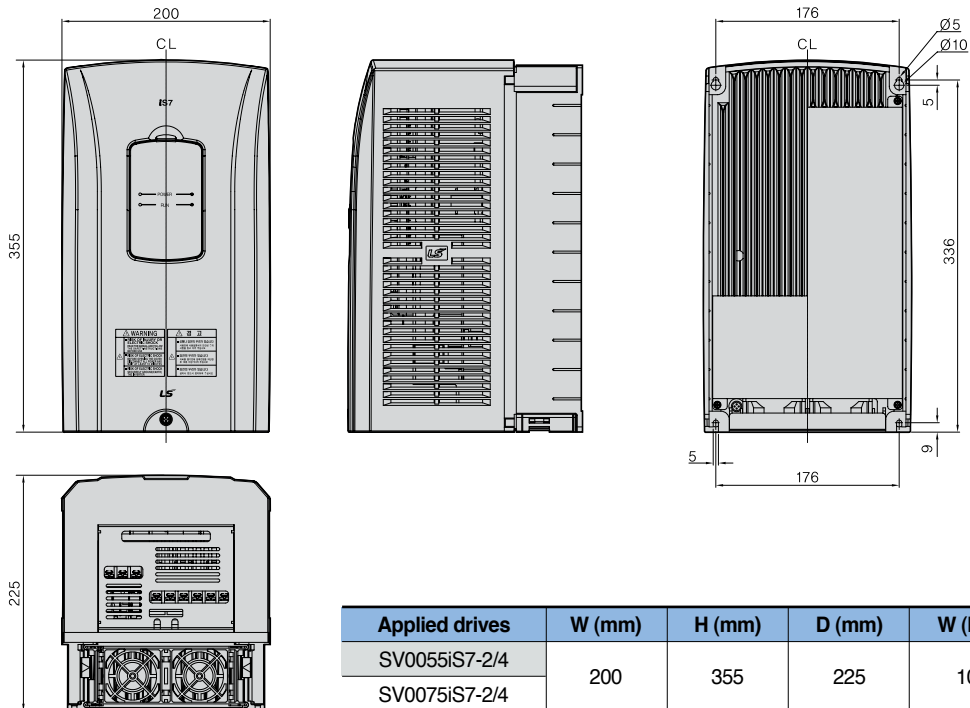
Dimensions

SV0008 ~ 0037iS7 (200V/400V)



* The weight above represents the total weight including EMC filter and DCL.

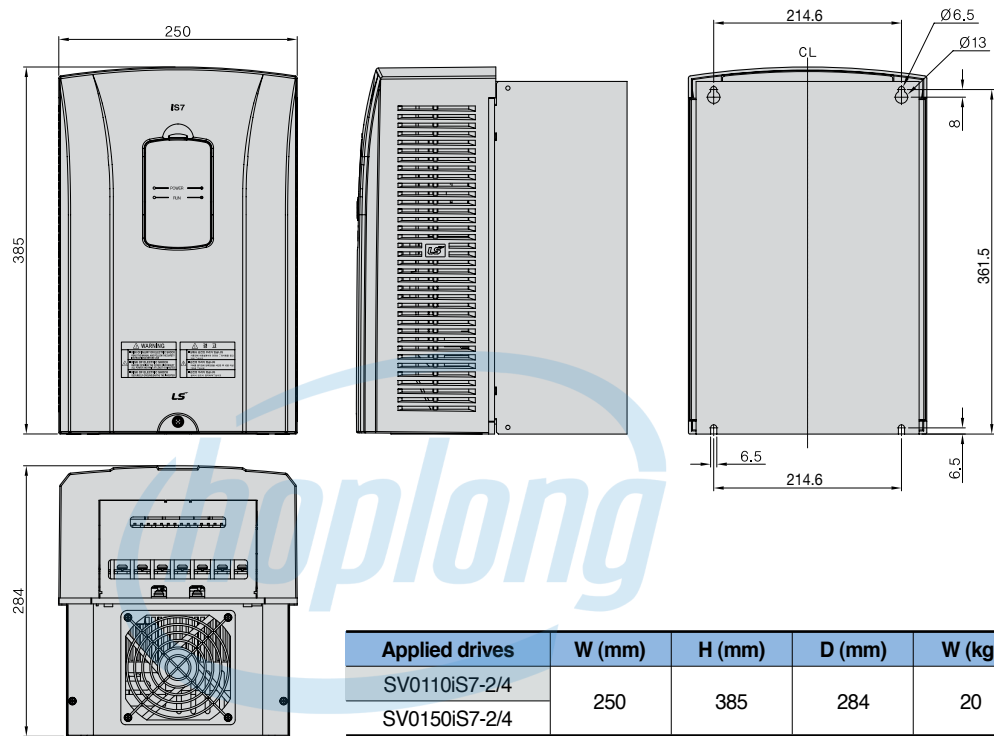
SV0055 ~ 0075iS7 (200V/400V) INDUSTRIAL AUTOMATION



* The weight above represents the total weight including EMC filter and DCL.

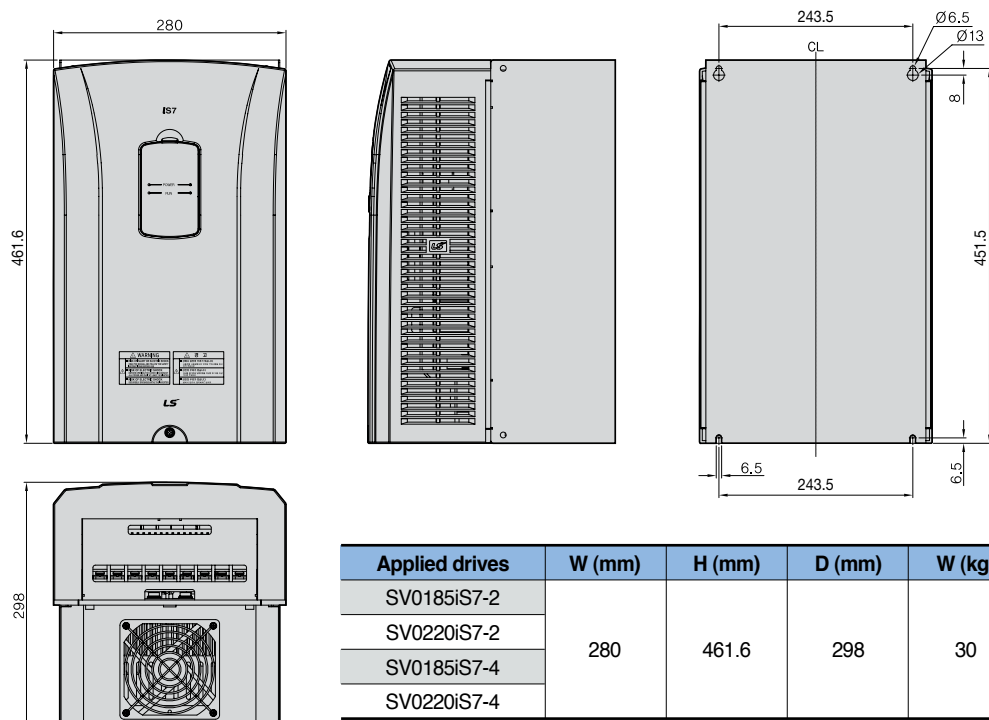
Dimensions

SV0110 ~ 0150iS7 (200V/400V)



* The weight above represents the total weight including EMC filter and DCL.

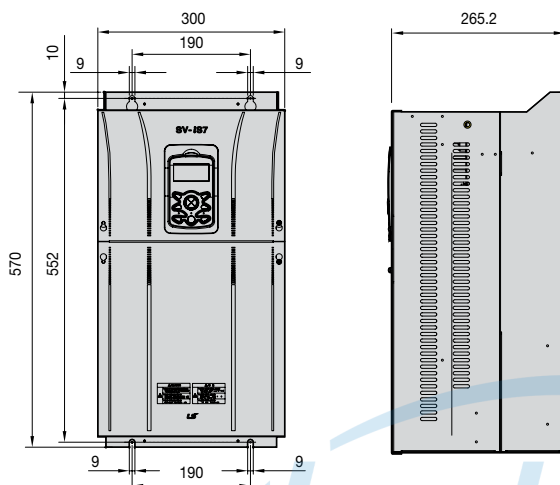
SV0185 ~ 0220iS7 (200V/400V) INDUSTRIAL AUTOMATION



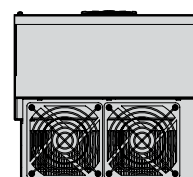
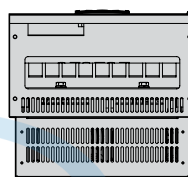
* The weight above represents the total weight including EMC filter and DCL.

Dimensions

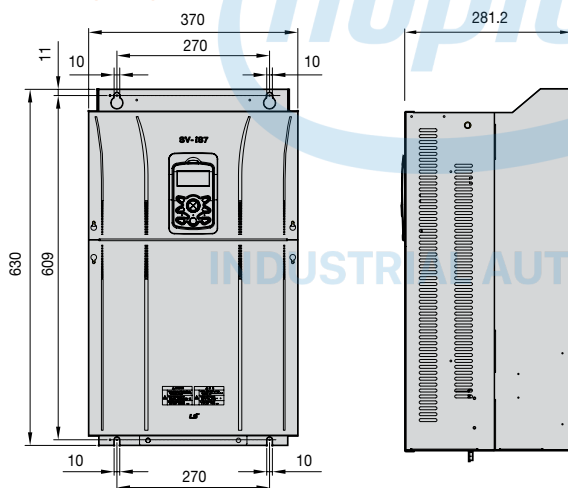
SV0300iS7 (200V)



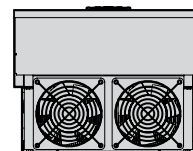
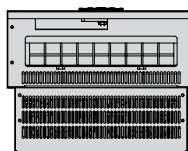
Applied drives	W (mm)	H (mm)	D (mm)	W (kg)
SV0300iS7-2	300	570	265.2	29.5



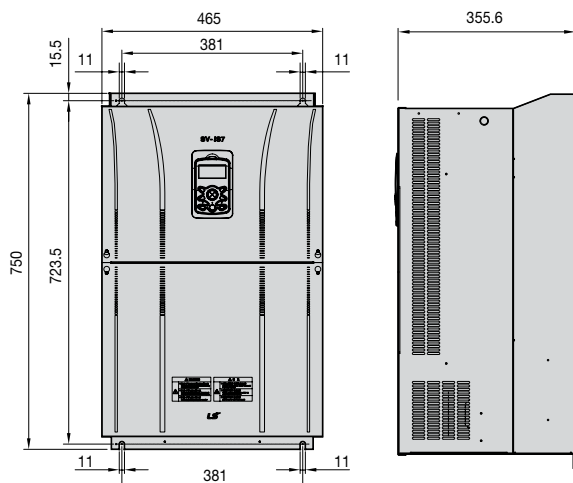
SV0370 ~ 0450iS7 (200V)



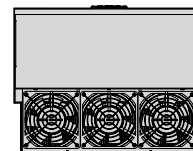
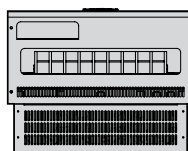
Applied drives	W (mm)	H (mm)	D (mm)	W (kg)
SV0370iS7-2	370	630	281.2	44
SV0450iS7-2				



SV0550 ~ 0750iS7 (200V)

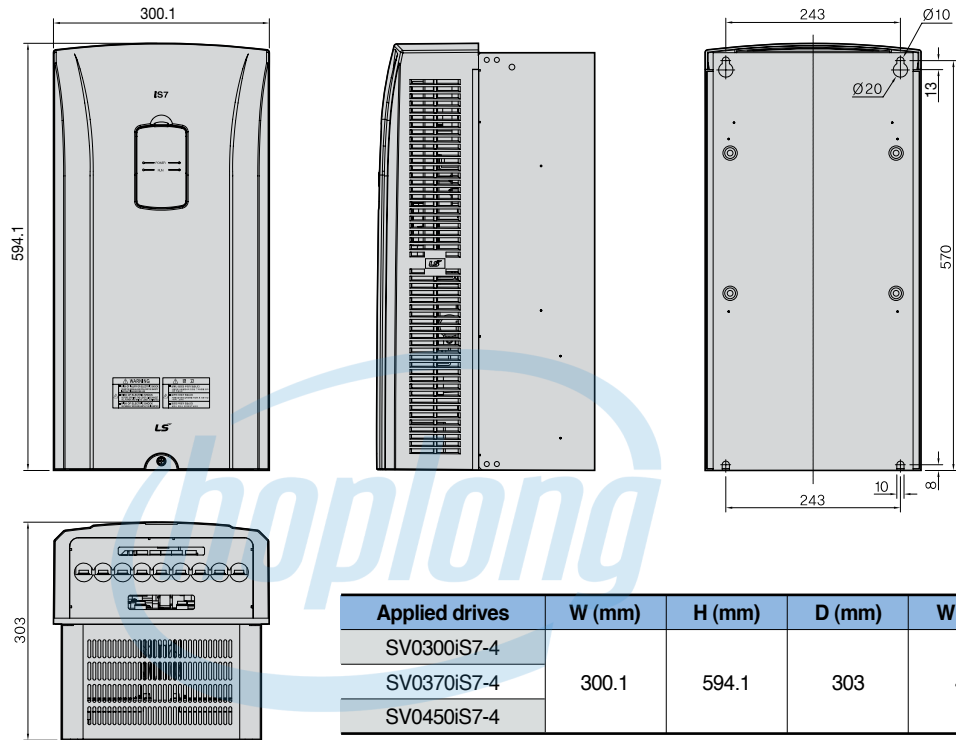


Applied drives	W (mm)	H (mm)	D (mm)	W (kg)
SV0550iS7-2	465	750	355.6	72.5
SV0750iS7-2				



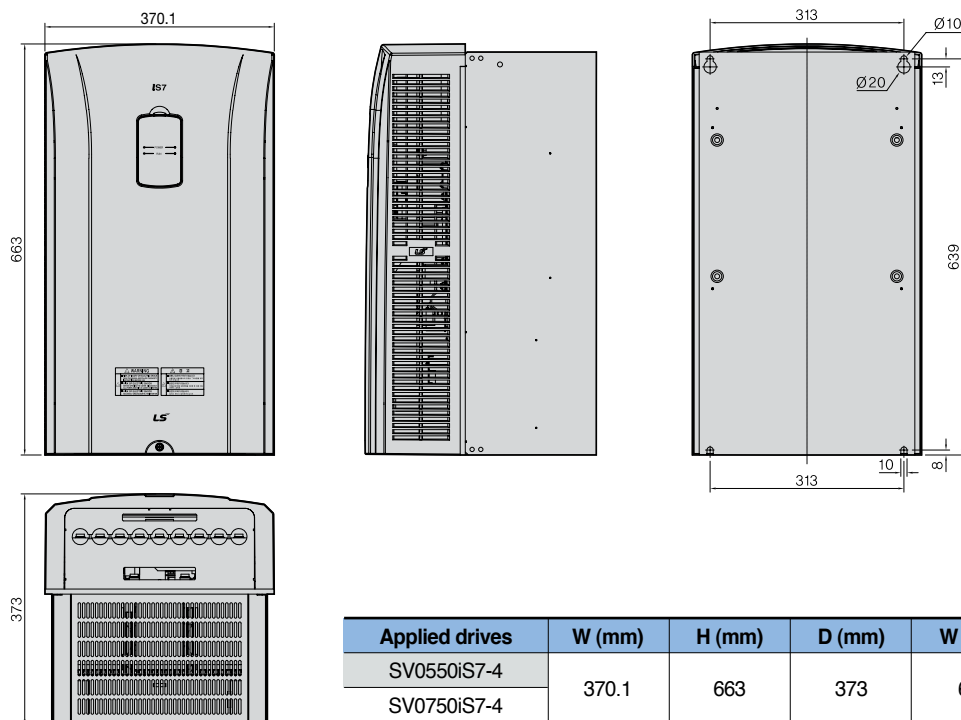
Dimensions

SV0300 ~ 0450iS7 (400V)



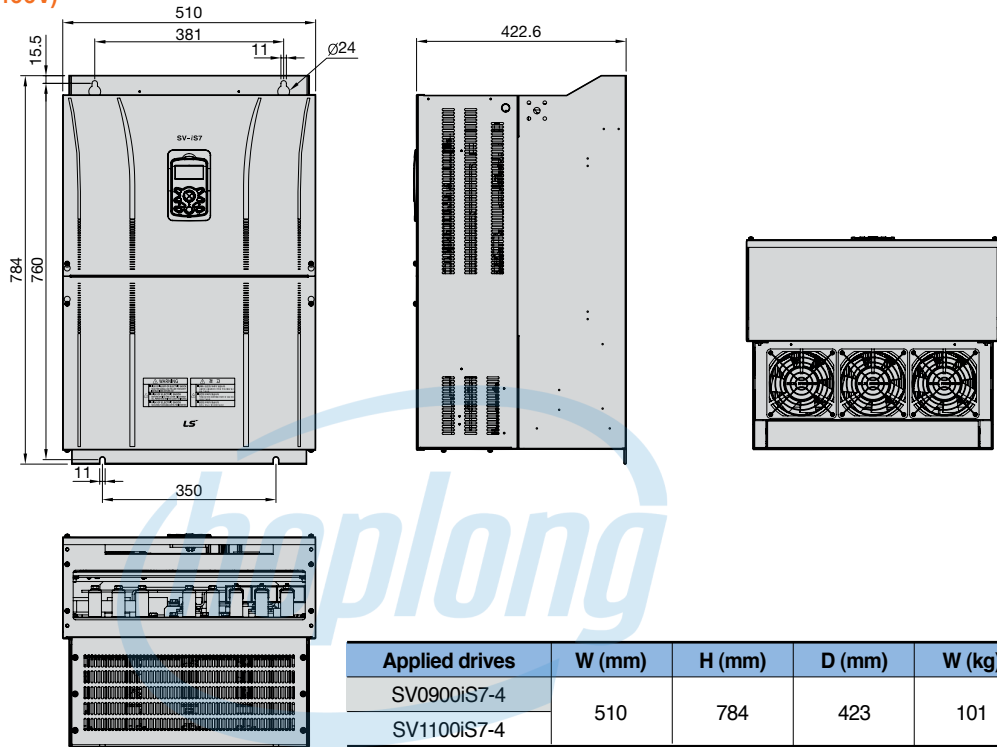
SV0550 ~ 0750iS7 (400V)

INDUSTRIAL AUTOMATION

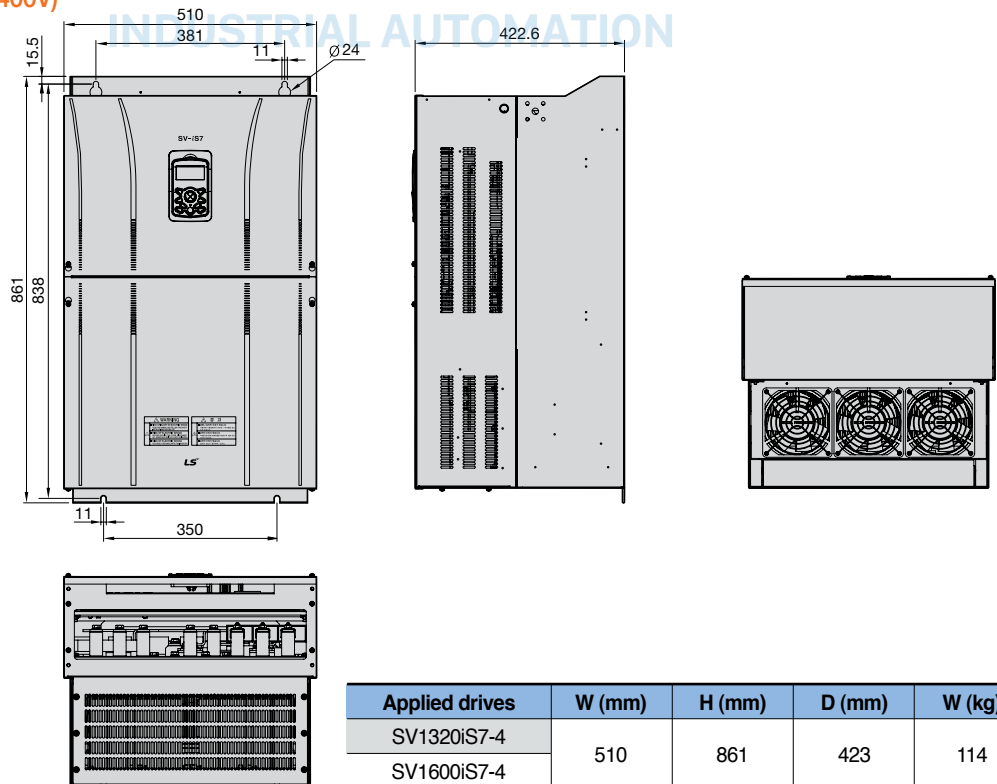


Dimensions

SV0900 ~ 1100iS7 (400V)

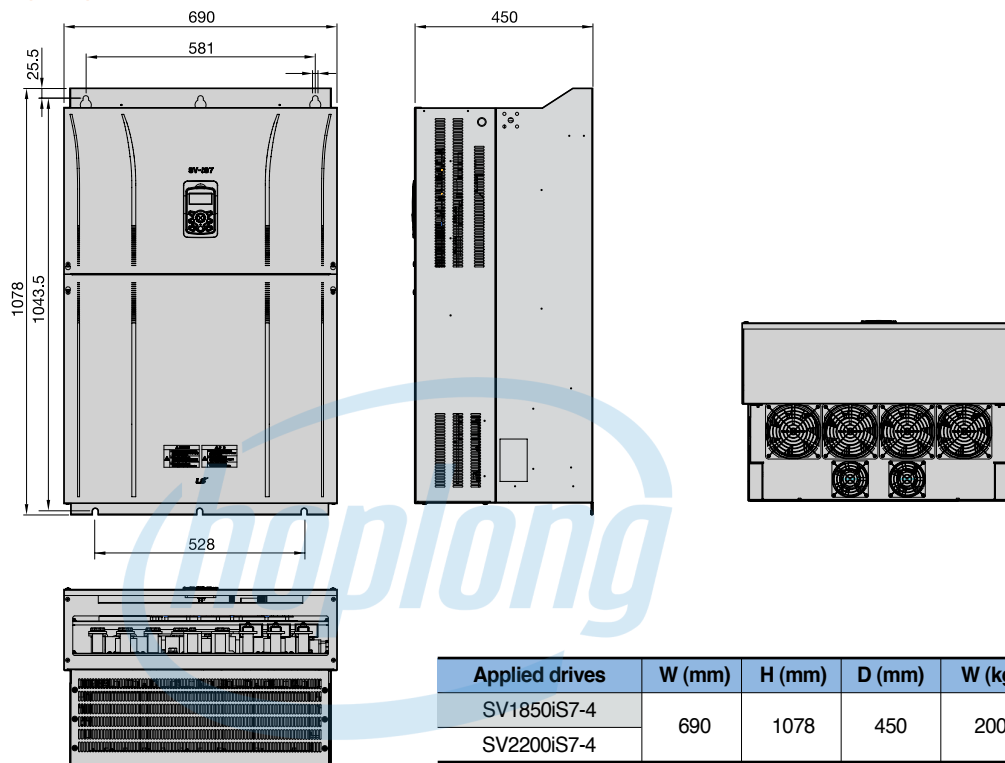


SV1320 ~ 1600iS7 (400V)



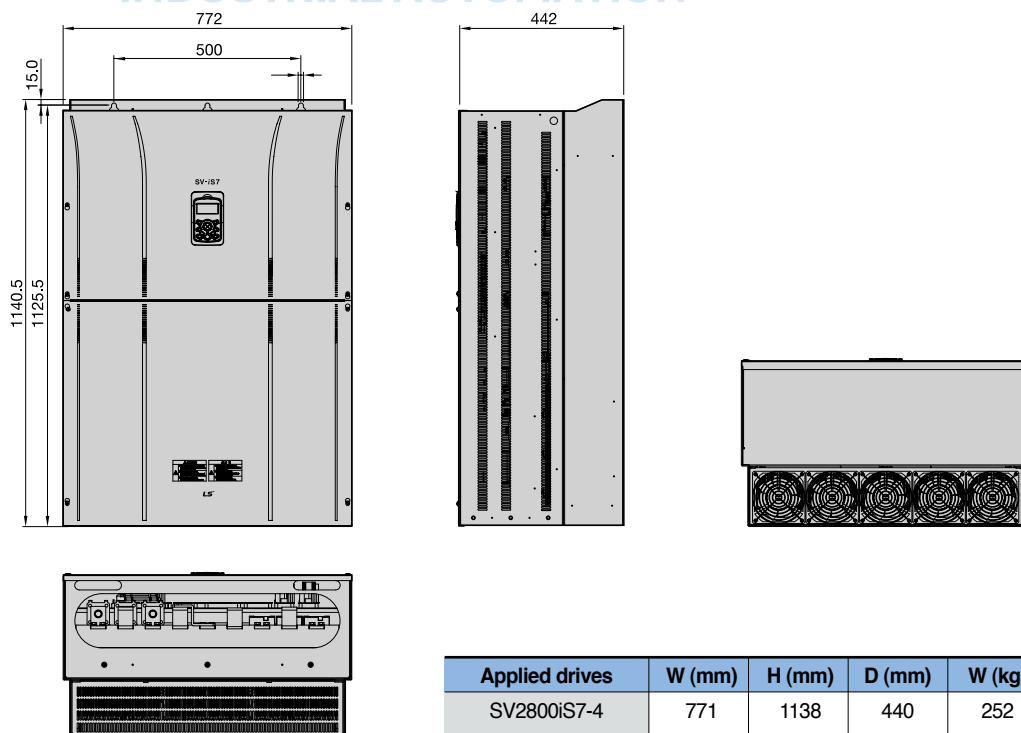
Dimensions

■ SV1850 ~ SV2200iS7 (400V)



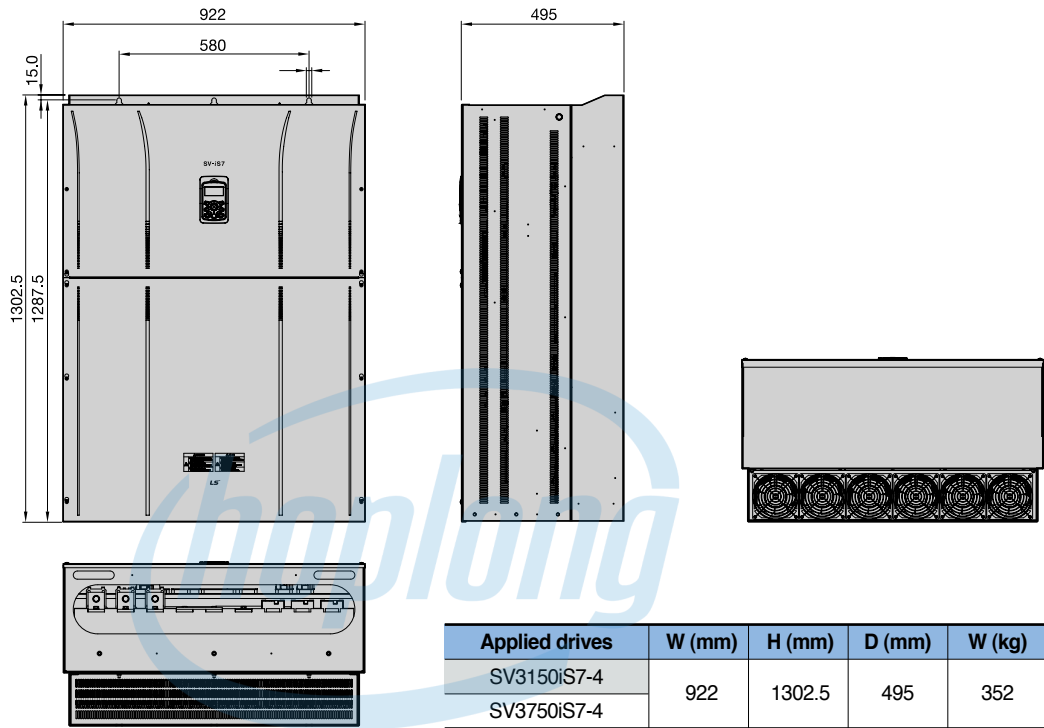
■ SV2800iS7 (400V)

INDUSTRIAL AUTOMATION



Dimensions

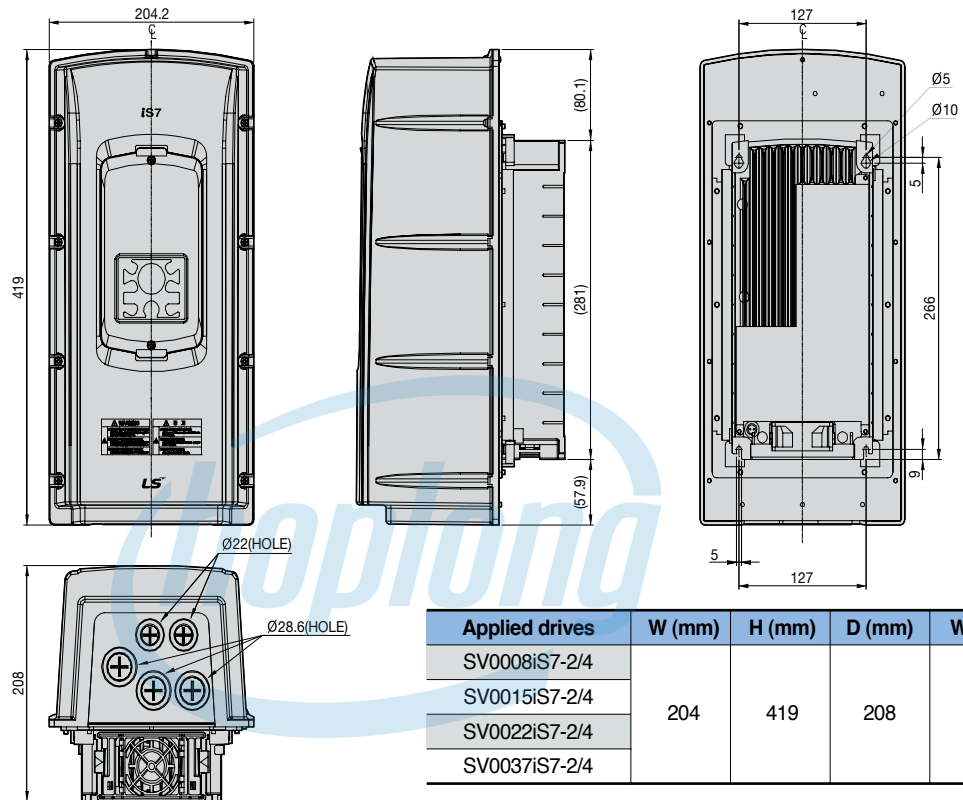
■ SV3150 ~ 3750iS7 (400V)



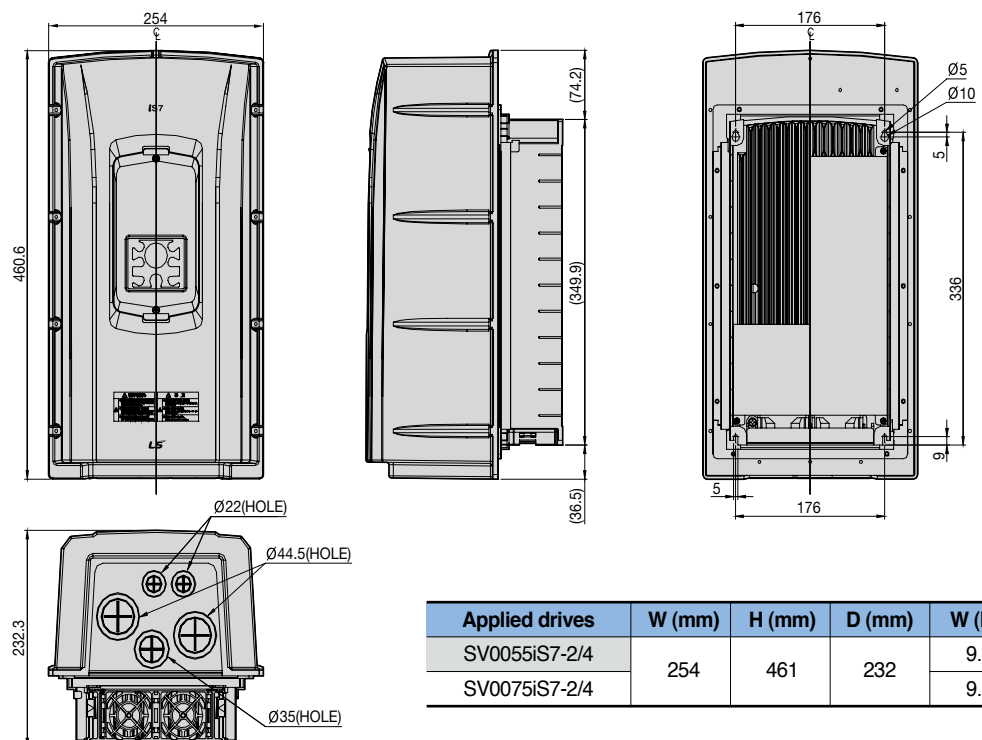
INDUSTRIAL AUTOMATION

Dimensions (IP54)

SV0008 ~ 0037iS7 (200V/400V)

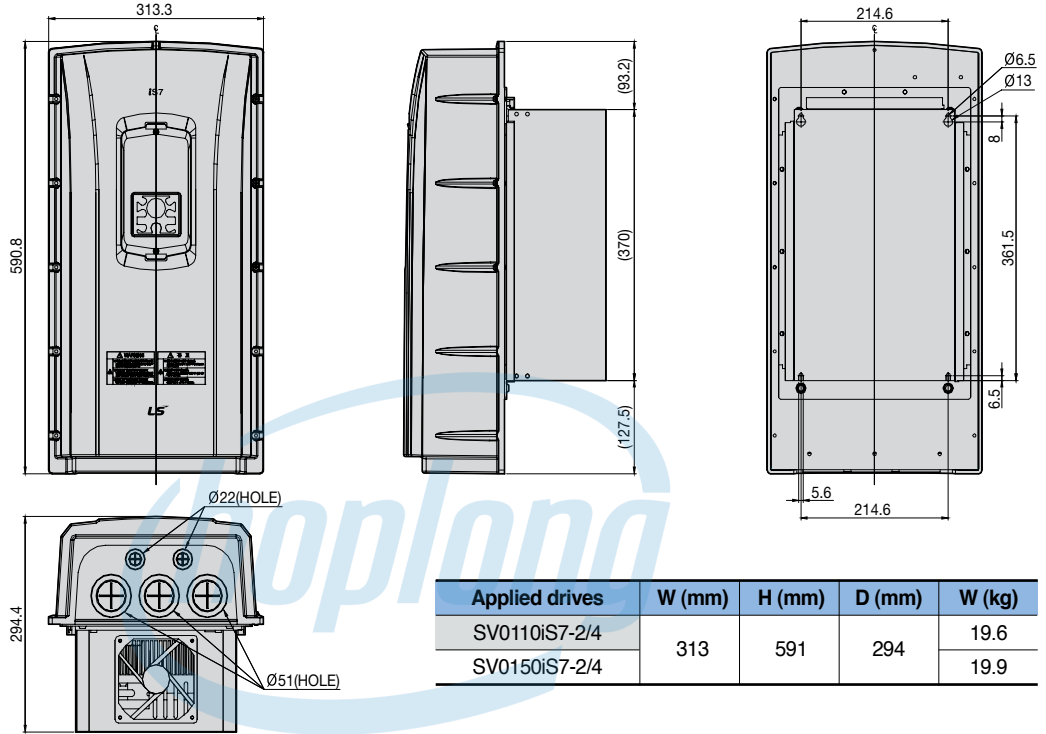


SV0055 ~ 0075iS7 (200V/400V)

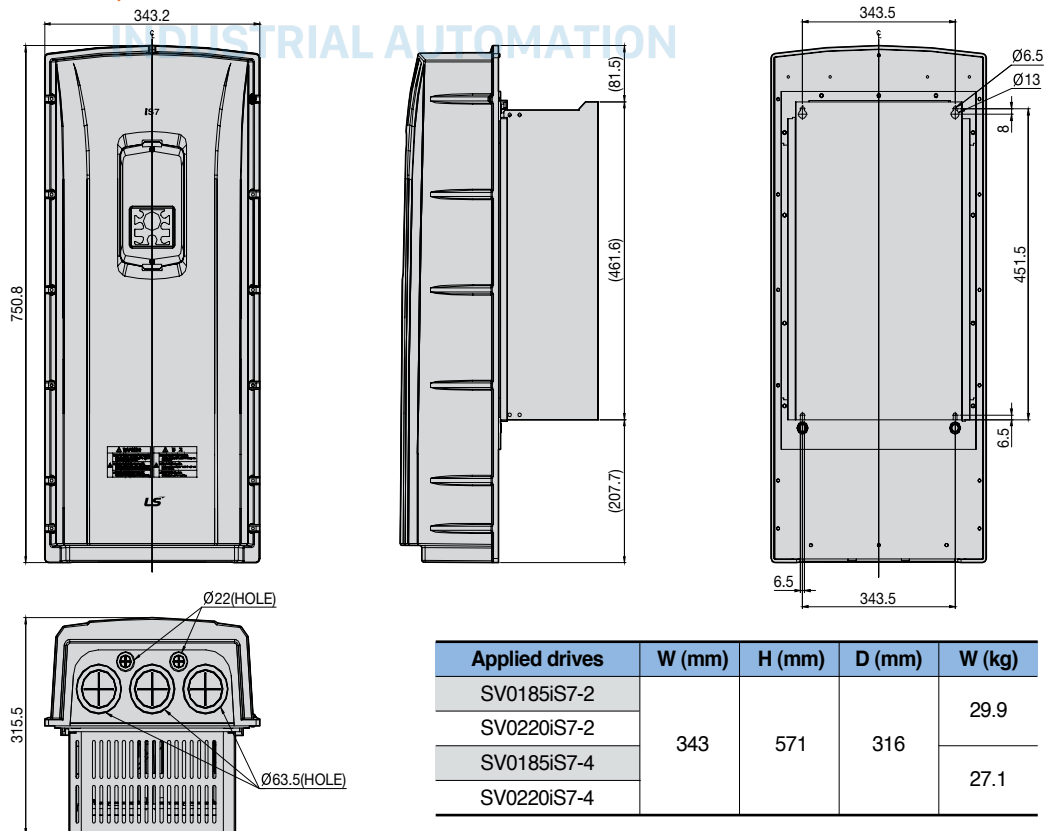


Dimensions (IP54)

SV0110 ~ 0150iS7 (200V/400V)



SV0185 ~ 0220iS7 (200V/400V)



Peripheral Device

■ MCCB (Molded Case Circuit Breaker) and MC (Magnetic Contactor)

Voltage	Motor [kW]	Drive Model	MCCB		MC
200V Class	0.8	0008iS7-2	UTE100N	EBS33c	MC-9a/9b
	1.5	0015iS7-2	UTE100N	EBS33c	MC-9a/9b
	2.2	0022iS7-2	UTE100N	EBS33c	MC-12a/12b
	3.7	0037iS7-2	UTE100N	EBS33c	MC-18b
	5.5	0055iS7-2	UTE150N	EBS33c	MC-22b/32a
	7.5	0075iS7-2	UTE150N	EBS53c	MC-40a
	11	0110iS7-2	UTE150N	EBS63c	MC-50a
	15	0150iS7-2	UTE150N	EBS63c	MC-50a
	18.5	0185iS7-2	UTE150N	EBS103c	MC-65a/75a
	22	0220iS7-2	UTE150N	EBS203c	MC-85a/100a
	30	0300iS7-2	UTE150N	EBS203c	MC-130a/150a
	37	0370iS7-2	UTE100N	EBS203c	MC-185a
	45	0450iS7-2	UTE100N	EBS403c	MC-225a
	55	0550iS7-2	UTE100N	EBS403c	MC-265a
75	0750iS7-2	UTE100N	EBS403c	MC-330a	
400V Class	0.8	0008iS7-4	UTE100N	EBS33c	MC-9a/9b
	1.5	0015iS7-4	UTE100N	EBS33c	MC-9a/9b
	2.2	0022iS7-4	UTE100N	EBS33c	MC-9a/9b
	3.7	0037iS7-4	UTE100N	EBS33c	MC-12a/12b
	5.5	0055iS7-4	UTE100N	EBS33c	MC-18b
	7.5	0075iS7-4	UTS150L	EBS33c	MC-22b
	11	0110iS7-4	UTS150L	EBS33c	MC-32a
	15	0150iS7-4	UTS150L	EBS53c	MC-40a
	18.5	0185iS7-4	UTS150L	EBS53c	MC-40a
	22	0220iS7-4	UTS150L	EBS63c	MC-50a
	30	0300iS7-4	UTS150L	EBS103c	MC-65a/75a
	37	0370iS7-4	UTS150L	EBS103c	MC-85a
	45	0450iS7-4	UTS150L	EBS203c	MC-100a/130a
	55	0550iS7-4	UTS150L	EBS203c	MC-130a/150a
	75	0750iS7-4	UTS400L	EBS203c	MC-185a
	90	0900iS7-4	UTS400L	EBS203c	MC-185a
	110	1100iS7-4	UTS400L	EBS403c	MC-225a
	132	1320iS7-4	UTS400L	EBS403c	MC-265a
	160	1600iS7-4	UTS400L	EBS403c	MC-330a
	185	1850iS7-4	UTS600L	EBS603c	MC-400a
220	2200iS7-4	UTS600L	EBS603c	MC-400a	
280	2800iS7-4	UTS800L	EBS803c	MC-500a	
315	3150iS7-4	UTS800L	EBS803c	MC-630a	
375	3750iS7-4	UTS800L	EBS803c	MC-800a	

Green Innovators of Innovation



Safety Instructions

- For your safety, please read user's manual thoroughly before operating.
- Contact the nearest authorized service facility for examination, repair, or adjustment.
- Please contact a qualified service technician when you need maintenance. Do not disassemble or repair by yourself!
- Any maintenance and inspection shall be performed by the personnel having expertise concerned.

LSIS Co., Ltd.

INDUSTRIAL AUTOMATION © 2008.2 LSIS Co., Ltd. All rights reserved.

www.lsis.com

■ HEAD OFFICE

LS Tower, 127, LS-ro, Dongan-gu, Anyang-si, Gyeonggi-do, Korea

- EMEA +82-2-2034-4901 / bonseongk@lsis.biz
- Asia Pacific +82-2-2034-4375 / bkkoo@lsis.biz

■ Global Network

- **LSIS (Middle East) FZE >> Dubai, U.A.E.**
Address: LOB 19 JAFZA VIEW TOWER Room 205, Jebel Ali Freezone P.O. Box 114216, Dubai, United Arab Emirates
Tel: 971-4-886 5360 Fax: 971-4-886-5361 e-mail: jungyongl@lsis.biz
- **Dalian LSIS Co., Ltd. >> Dalian, China**
Address: No.15, Liaohexi 3-Road, Economic and Technical Development zone, Dalian 116600, China
Tel: 86-411-8273-7777 Fax: 86-411-8730-7560 e-mail: lixk@lsis.com.cn
- **LSIS (Wuxi) Co., Ltd. >> Wuxi, China**
Address: 102-A, National High & New Tech Industrial Development Area, Wuxi, Jiangsu, 214028, P.R.China
Tel: 86-510-8534-6666 Fax: 86-510-522-4078 e-mail: xuhg@lsis.com.cn
- **LSIS-VINA Co., Ltd. >> Hanoi, Vietnam**
Address: Nguyen Khe - Dong Anh - Ha Noi - Viet Nam
Tel: 84-4-882-0222 Fax: 84-4-882-0220 e-mail: srjo@lsisvina.com
- **LSIS-VINA Co., Ltd. >> Hochiminh, Vietnam**
Address: 41 Nguyen Thi Minh Khai Str. Yoco Bldg 4th Floor, Hochiminh City, Vietnam
Tel: 84-8-3822-7941 Fax: 84-8-3822-7942 e-mail: sbpark@lsisvina.com
- **LSIS Tokyo Office >> Tokyo, Japan**
Address: 16th, Higashi-Kan, Akasaka Twin Tower, 2-17-22, Akasaka, Minato-ku, Tokyo, Japan
Tel: 81-3-3582-9128 Fax: 81-3-3582-2667 e-mail: jschuna@lsis.biz
- **LSIS Shanghai Office >> Shanghai, China**
Address: Room E-G, 12th Floor Huamin Empire Plaza, No.726, West Yan'an Road Shanghai 200050, P.R. China
Tel: 86-21-5237-9977 (609) Fax: 89-21-5237-7191 e-mail: jinhk@lsis.com.cn
- **LSIS Beijing Office >> Beijing, China**
Address: B-Tower 17FL, Beijing Global Trade Center B/D. No.36, BeiSanHuanDong-Lu, DongCheng-District, Beijing 100013, P.R. China
Tel: 86-10-5825-6025,7 Fax: 86-10-5825-6026 e-mail: cuixiaorong@lsis.com.cn
- **LSIS Guangzhou Office >> Guangzhou, China**
Address: Room 1403,14F, New Poly Tower, 2 Zhongshan Liu Road, Guangzhou, P.R. China
Tel: 86-20-8326-6764 Fax: 86-20-8326-6287 e-mail: linsz@lsis.biz
- **LSIS Chengdu Office >> Chengdu, China**
Address: Room 1701 17Floor, huanminhanjun international Building, No1 Fuxing Road Chengdu, 610041, P.R. China
Tel: 86-28-8670-3101 Fax: 86-28-8670-3203 e-mail: yangcf@lsis.com.cn
- **LSIS Qingdao Office >> Qingdao, China**
Address: 7B40, Haixin Guangchang Shenyue Building B, No.9, Shandong Road Qingdao 26600, P.R. China
Tel: 86-532-8501-6568 Fax: 86-532-583-3793 e-mail: lirj@lsis.com.cn

Specifications in this catalog are subject to change without notice due to continuous product development and improvement.