

■ III. Push Button & Signalling Device ■

Warning Light & Siren



● SWL Series

● SWD Series

● SWM Series

● SWS Series

Push
Button &
Signalling
Device

Ø8,10,12
Control
Switch

Ø16
Control
Switch

Ø22,25,30
Control
Switch

Cam
Switch

BOX
Switch

Main
Switch

Power Push
Button
Switch

Assembly
Square
Lamp

Signal
Tower

Warning
Light &
Siren

Warning Light & Siren

Performance and Specification

Lamp type specification

Type	Regular Voltage	Rotation Number	Normal Current	Lamp	Color
Ø60 Ø80 Ø100	110VAC	User Configuration	0.17A	12V 10W	R(Red) Y(Yellow) G(Green) B(Blue) W(White)
	220VAC		0.09A	12V 10W	
	12VDC		0.8A	12V 10W	
	24VDC		0.4A	24V 10W	
	48VDC		1A	48V 10W	
Ø125 Ø150	110VAC		0.17A	12V 15W	
	220VAC		0.09A	12V 15W	
	12VDC		1.4A	12V 15W	
	24VDC		0.7A	24V 15W	
	48VDC		1A	48V 15W	

LEDAlarm Lamp

Type	Regular Voltage	Rotation Number	Normal Current	No. of LED Lamps	Color
Ø60	110VAC	User Configuration	0.35A	Ø60, Ø80 16ea	R(Red)
Ø80	220VAC		0.35A		Y(Yellow)
Ø100	12VDC		0.8A	Ø100, Ø125, Ø150	G(Green)
Ø125	24VDC		0.5A		B(Blue)
Ø150	48VDC		0.5A	54ea	W(White)

48VDC can be applied to 100, 125, 150, except for 60, 80.
No rotation features for 60

Lamp specification for both sides

Type	Regular Voltage	Rotation Number	Normal Current	Lamp	Color
Ø150 Ø180 Ø230	110VAC	User Configuration	0.3A	12V 35W	R(Red)
	220VAC		0.18A		Y(Yellow)
	12VDC		3A	12V 35W	G(Green)
	24VDC		1.5A		B(Blue) W(White)

High Brightness LED Alarm lamp specification

Type	Regular Voltage	Rotation Number	Normal Current	LED	Color
Ø125 Ø150	110VAC	User Configuration	0.35A	90ea	R(Red)
	220VAC		0.35A	90ea	Y(Yellow)
	12VDC		0.8A	90ea	G(Green)
	24VDC		0.5A	90ea	B(Blue)
	48VDC		0.5A	90ea	W(White)

Flash Lamp Specification

Type	Regular Voltage	Number of flashes	Normal Current	Xenon	Color
Ø60 Ø80 Ø100 Ø125 Ø150	110VAC	50~60 times/min.	0.3A	20W	R(Red)
	220VAC		0.3A		Y(Yellow)
	12VDC		0.5A	20W	G(Green)
	24VDC		0.5A		B(Blue) W(White)

After shutting down the power of the flash lamp, please wait for at least one hour before any works begin for safety.

Adjustment of DIP Switch

Movement	Light ON		Rotation		Rotating / Blinking		Blinking	
DIP/SW	1	2	1	2	1	2	1	2
ON								
OFF								

In accordance with the product of LED specification

The specification of high brightness flash lamp

Type	Regular Voltage	Number of flashes	Normal Current	Xenon	Color
Ø100 Ø125 Ø150	110VAC	80~100 times/min.	0.5A	100W	R(Red)
	220VAC		0.3A		Y(Yellow)
	12VDC		1.25A	100W	G(Green)
	24VDC		1A		B(Blue) W(White)

The specification of the flash lamp with built-in sounds

Type	Max. Output	Sound Volume	Production Specification		Color
			Lamp	LED	
Ø80	1W	Max. 92dB	×	○	R(Red)
Ø100			○	○	Y(Yellow)
Ø125	5W	Max. 105dB	○	○	G(Green)
Ø150	15W	Max. 110dB	○	○	B(Blue) W(White)

Standard : 1sound

Specification of the Buzzer, Melody, and Siren

Max. Output	Sound Volume	Alarm Sound	Tone
25W	Max. 110dB	Siren	Emergency, Crisis, Fire
		Melody	Home Sweet Home ★
			For Ellizeh ★
Turkish March ★			
35W	Max. 115dB	Buzzer Sound	Piano Sonata
			Beep Beep Beep ★
			Ding Dong ★
50W	Max. 117dB	Buzzer Sound	Long Beeps
			Short Beeps ★

Default three sounds. 4 Sounds available upon order

SWM-H500

Type	Type	Regular Voltage	Normal Current
L1	SWL-1254R	110/220VAC	0.35A
		24VDC	0.5A
L2	SWL-1254A	110/220VAC	0.35A
		24VDC	0.5A
S1	SWS-301	110/220VAC	0.8A
		24VDC	0.5A

Push Button & Signalling Device

Sound Signaler / Medium Load Sound Signaler Specification

Type	Regular Voltage	Max. Output	Alarm Sound	Sound kind of	
SWS-301 SWS-302 SWS-303	110/220VAC	SWS-301 : 25W SWS-302 : 35W SWS-303 : 25W	Siren	Emergency, Crisis, Fire	
				Melody	Home Sweet Home ★
					For Ellizeh ★
Turkish March ★					
SWS-304 SWS-305 SWS-306	12/24VDC	SWS-304 : 35W SWS-305 : 15W SWS-306 : 15W	Buzzer Sound	Piano Sonata	
				Beep Beep Beep ★	
				Ding Dong ★	
SWS-307 SWS-308	48VDC	SWS-307 : 25W SWS-308 : 50W	Buzzer Sound	Long Beeps	
				Short Beeps ★	

Default three sounds. 4 Sounds available upon order

Ø8,10,12 Control Switch

Ø16 Control Switch

Ø22,25,30 Control Switch

Cam Switch

BOX Switch

Main Switch

Power Push Button Switch

Assembly Square Lamp

Signal Tower

Warning Light & Siren






Motor Siren Specification

Type	Regular Voltage	Hz	Rotation Number	Sound Volume Distance	Horse Power	Ampare	Weight
SWS-501	110VAC	50/60Hz	6000 Min	1500M	1/4	min 0,5A max 2,5A	2.8kg
	220VAC					min 5A max 2,5A	
	24VDC					min 12A max 3,94A	
SWS-502	110VAC	50/60Hz	5700 Min	2000M	1/2	min 2,5A max 1,1A	5.5kg
	220VAC					min 2,5A max 1,1A	
	24VDC					min 12A max 3A	

SWL Series

IP
54

Alarm Lamp

Ø60 Alarm Lamp	Ø80 Alarm Lamp
 <p>Lamp Lights On : SWL-12 [1] [2] Lamp blinking : SWL-13 [1] [2] LED : SWL-14 [1] [2] * Choose the 'Lights On' type or 'Blinking Type' when ordering Flash Lamp : SWL-16 [1] [2] POWER LED : SWL-18 [1] [2]</p>	 <p>Lamp Lights On : SWL-22 [1] [2] Lamp blinking : SWL-23 [1] [2] LED : SWL-24 [1] [2] * Light On, blinking, and rotating mode can be configured with the internal Dip Switch. Flash Lamp : SWL-26 [1] [2] POWER LED : SWL-28 [1] [2] * Recommended product as a replacement of the flash lamp (for longer life span)</p>
Ø100 Alarm Lamp	Ø125 Alarm Lamp
 <p>Lamp rotation : SWL-31 [1] [2] Lamp Lights On : SWL-32 [1] [2] Lamp blinking : SWL-33 [1] [2] LED : SWL-34 [1] [2] * Light On, blinking, and rotating mode can be configured with the internal Dip Switch. Flash Lamp : SWL-36 [1] [2] High Brightness Flash Lamp : SWL-37 [1] [2] POWER LED : SWL-38 [1] [2] * Recommended product as a replacement of the flash lamp (for longer life span)</p>	 <p>Lamp rotation : SWL-41 [1] [2] Lamp Lights On : SWL-42 [1] [2] Lamp blinking : SWL-43 [1] [2] LED : SWL-44 [1] [2] * Light On, blinking, and rotating mode can be configured with the internal Dip Switch. High Brightness LED : SWL-45 [1] [2] * Light On, blinking, and rotating mode can be configured with the internal Dip Switch. Flash Lamp : SWL-46 [1] [2] High Brightness Flash Lamp : SWL-47 [1] [2] POWER LED : SWL-48 [1] [2] * Recommended product as a replacement of the flash lamp (for longer life span)</p>
Ø125 European Alarm Lamp	Ø125 Rechargeable Alarm Lamp
 <p>Lamp rotation : SWL-417 [1] [2] Lamp Lights On : SWL-427 [1] [2] Lamp blinking : SWL-437 [1] [2] LED : SWL-447 [1] [2] * Light On, blinking, and rotating mode can be configured with the internal Dip Switch. High Brightness LED : SWL-457 [1] [2] * Light On, blinking, and rotating mode can be configured with the internal Dip Switch. Flash Lamp : SWL-467 [1] [2] High Brightness Flash Lamp : SWL-477 [1] [2] POWER LED : SWL-487 [1] [2] * Recommended product as a replacement of the flash lamp (for longer life span)</p>	 <p>LED : SWL-448 [1] [2] * Light On, blinking, and rotating mode can be configured with the internal Dip Switch. POWER LED : SWL-488 [1] [2] * Light On, blinking, and rotating mode can be configured with the internal Dip Switch. Once charged, the battery can hold for five hours. Also, the attached magnet allows freedom in locating the product.</p>

[1] Color : R, G, Y, B, W

[2] 12VDC, 24VDC, 48VDC, 110VAC, 220VAC

Push Button & Signalling Device

Ø8,10,12 Control Switch

Ø16 Control Switch

Ø22,25,30 Control Switch

Cam Switch

BOX Switch

Main Switch

Power Push Button Switch

Assembly Square Lamp

Signal Tower

Warning Light & Siren

Ø150 Alarm Lamp



Lamps rotating on both sides : SWL-50 1 2
 Lamp rotation : SWL-51 1 2
 Lamp Blinking: SWL-52 1 2
 Lamp blinking : SWL-53 1 2
 LED : SWL-54 1 2

※ Light On, blinking, and rotating mode can be configured with the internal Dip Switch.

High Brightness LED : SWL-55 1 2

※ Light On, blinking, and rotating mode can be configured with the internal Dip Switch.

Flash Lamp : SWL-56 1 2

High Brightness Flash Lamp : SWL-57 1 2

POWER LED : SWL-58 1 2

※ Recommended product as a replacement of the flash lamp (for longer life span)

1 Color R, G, Y, B, W

2 12VDC, 24VDC, 48VDC, 110VAC, 220VAC

Ø180 Alarm Lamp



Lamps rotating on both sides : SWL-60 1 2 High Brightness Flash Lamp : SWL-67 1 2

1 Color R, G, Y, B, W

2 12VDC, 24VDC, 48VDC, 110VAC, 220VAC

Ø230 Alarm Lamp



Lamps rotating on both sides : SWL-70 1 2 High Brightness Flash Lamp : SWL-77 1 2

1 Color R, G, Y, B, W

2 12VDC, 24VDC, 48VDC, 110VAC, 220VAC

Alarm Lamp with the built in Sound



Only LED Type 80, 100, 125, 150 and Lamp type 100, 125, 150 are available. Default number of the sound provided is one.

Ø80LED : SWL-24 1 2 3

Ø100Lamp rotation : SWL-31 1 2 3

Ø100Lamp light-on : SWL-32 1 2 3

Ø100Lamp blinking : SWL-33 1 2 3

Ø100LED : SWL-34 1 2 3

※ Light On, blinking, and rotating mode can be configured with the internal Dip Switch.

Ø125Lamp rotation : SWL-41 1 2 3

Ø125Lamp light-on : SWL-42 1 2 3

Ø125Lamp blinking : SWL-43 1 2 3

Ø125LED : SWL-44 1 2 3

※ Light On, blinking, and rotating mode can be configured with the internal Dip Switch.

Ø125High BrightnessLED : SWL-45 1 2 3

※ Light On, blinking, and rotating mode can be configured with the internal Dip Switch.

Ø125Lamp rotation : SWL-417 1 2 3

Ø125Lamp light-on : SWL-427 1 2 3

Ø125Lamp blinking : SWL-437 1 2 3

Ø125LED : SWL-447 1 2 3

※ Light On, blinking, and rotating mode can be configured with the internal Dip Switch.

Ø125High BrightnessLED : SWL-457 1 2 3

Ø125 European Alarm Lamp 타입입니다.

※ Light On, blinking, and rotating mode can be configured with the internal Dip Switch.

Ø150Lamp rotation : SWL-51 1 2 3

Ø150Lamp light-on : SWL-52 1 2 3

Ø150Lamp blinking : SWL-53 1 2 3

Ø150LED : SWL-54 1 2 3

※ Light On, blinking, and rotating mode can be configured with the internal Dip Switch.

Ø150High BrightnessLED : SWL-55 1 2 3

※ Light On, blinking, and rotating mode can be configured with the internal Dip Switch.

1 2 : Buzzer 3 : Melody 5 : Voice

2 Color : R, G, Y, B, W

3 12VDC, 24VDC, 48VDC, 110VAC, 220VAC

SWD Series

IP
56

Medium Load Alarm Lamp

Ø125 Medium Load Alarm Lamp



I/O shapes I/O shapes I/O shapes
1 2 3

Lamp rotation : SWD-41 [1] [2] [3]

LED : SWD-44 [1] [2] [3]

※ Light On, blinking, and rotating mode can be configured with the internal Dip Switch.

High Brightness LED : SWD-45 [1] [2] [3]

※ Light On, blinking, and rotating mode can be configured with the internal Dip Switch.

Flash Lamp : SWD-46 [1] [2] [3]

High Brightness Flash Lamp : SWDL-47 [1] [2] [3]

POWER LED : SWDL-48 [1] [2] [3]

※ Recommended product as a replacement of the flash lamp (for longer life span)

Ø150 Medium Load Alarm Lamp



I/O shapes I/O shapes I/O shapes
1 2 3

Lamps rotating on both sides : SWD-50 [1] [2] [3]

Lamp rotation : SWD-51 [1] [2] [3]

LED : SWD-54 [1] [2] [3]

※ Light On, blinking, and rotating mode can be configured with the internal Dip Switch.

High Brightness LED : SWD-55 [1] [2] [3]

※ Light On, blinking, and rotating mode can be configured with the internal Dip Switch.

Flash Lamp : SWD-56 [1] [2] [3]

High Brightness Flash Lamp : SWD-57 [1] [2] [3]

POWER LED : SWD-58 [1] [2] [3]

※ Recommended product as a replacement of the flash lamp (for longer life span)



I/O shapes I/O shapes
3 3

Lamps rotating on both sides : SWD-520 [1] [2] [3]

Lamp rotation : SWD-521 [1] [2] [3]

With the polyethylene groove with special dual-hexagonal stripes, the product is light but at the same time durable against the impacts.

The dual-hexagonal stripes can be identified from a longer distance, and the dispersing of the light is excellent.

[1] I/O shapes : 1, 2, 3

[2] Color : R, G, Y, B, W

[3] 12VDC, 24VDC, 48VDC, 110VAC, 220VAC

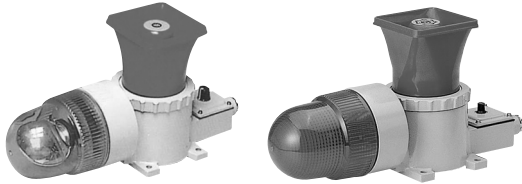
SWM Series

IP
56

Medium Load Alarm Lamp

Push
Button &
Signalling
Device

Ø125 Medium Load Alarm Lamp



Lamp rotation : SWM – 411 1 2 3 4

LED : SWM – 441 1 2 3 4

※ Light On, blinking, and rotating mode can be configured with the internal Dip Switch.

High Brightness LED : SWM – 451 1 2 3 4

※ Light On, blinking, and rotating mode can be configured with the internal Dip Switch.

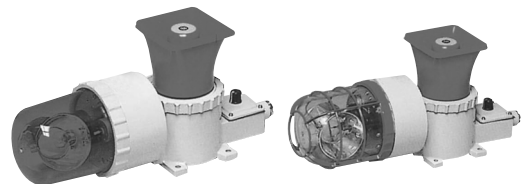
Flash Lamp : SWM – 461 1 2 3 4

High Brightness Flash Lamp : SWM – 471 1 2 3 4

POWER LED : SWM – 481 1 2 3 4

※ Recommended product as a replacement of the flash lamp (for longer life span)

Ø150 Medium Load Alarm Lamp



Lamp rotation : SWM – 501 1 2 3 4

Lamps rotating on both sides : SWM – 511 1 2 3 4

LED : SWM – 541 1 2 3 4

※ Light On, blinking, and rotating mode can be configured with the internal Dip Switch.

High Brightness LED : SWM – 551 1 2 3 4

※ Light On, blinking, and rotating mode can be configured with the internal Dip Switch.

Flash Lamp : SWM – 561 1 2 3 4

High Brightness Flash Lamp : SWM – 571 1 2 3 4

POWER LED : SWM – 581 1 2 3 4

※ Recommended product as a replacement of the flash lamp (for longer life span)



Single Side attachment type 25W Double Side Attachment type 50W

Lamp rotation : SWM – 412 1 2 3 4

LED : SWM – 442 1 2 3 4

※ Light On, blinking, and rotating mode can be configured with the internal Dip Switch.

High Brightness LED : SWM – 452 1 2 3 4

※ Light On, blinking, and rotating mode can be configured with the internal Dip Switch.

Flash Lamp : SWM – 462 1 2 3 4

High Brightness Flash Lamp : SWM – 472 1 2 3 4

POWER LED : SWM – 482 1 2 3 4

※ Recommended product as a replacement of the flash lamp (for longer life span)

Ø8,10,12
Control
Switch

Ø16
Control
Switch

Ø22,25,30
Control
Switch

Cam
Switch

BOX
Switch

Main
Switch

Power Push
Button
Switch

Assembly
Square
Lamp

Signal
Tower

Warning
Light &
Siren

1 1 : Single Side attachment type 25W Double Side Attachment type 50W

2 2 : Buzzer, 3 : Melody, 4 : Siren

3 3 Color : R, G, Y, B, W

4 4 12VDC, 24VDC, 48VDC, 110VAC, 220VAC

1 1 : Single Side attachment type 25W Double Side Attachment type 50W

2 2 : Buzzer, 3 : Melody, 4 : Siren

3 3 Color : R, G, Y, B, W

4 4 12VDC, 24VDC, 48VDC, 110VAC, 220VAC

Other medium load sound alarm lamps



Lamp rotation : SWM-313 1 2 3 4

LED : SWM-343 1 2 3 4

※ Light On, blinking, and rotating mode can be configured with the internal Dip Switch.

Flash Lamp : SWM-363 1 2 3 4

High Brightness Flash Lamp : SWM-373 1 2 3 4

POWER LED : SWM-383 1 2 3 4

※ Recommended product as a replacement of the flash lamp (for longer life span)



Lamp rotation : SWM-413 1 2 3 4

LED : SWM-443 1 2 3 4

※ Light On, blinking, and rotating mode can be configured with the internal Dip Switch.

High Brightness LED : SWM-453 1 2 3 4

※ Light On, blinking, and rotating mode can be configured with the internal Dip Switch.

Flash Lamp : SWM-463 1 2 3 4

High Brightness Flash Lamp : SWM-473 1 2 3 4

POWER LED : SWM-483 1 2 3 4

※ Recommended product as a replacement of the flash lamp (for longer life span)



Lamp rotation : SWM-414 1 2 3 4

LED : SWM-444 1 2 3 4

※ Light On, blinking, and rotating mode can be configured with the internal Dip Switch.

High Brightness LED : SWM-454 1 2 3 4

※ Light On, blinking, and rotating mode can be configured with the internal Dip Switch.

Flash Lamp : SWM-464 1 2 3 4

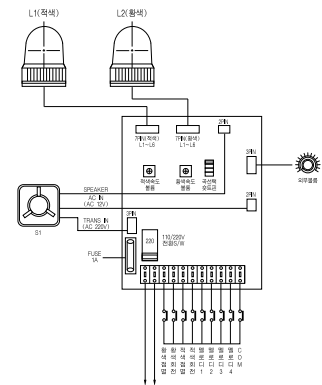
High Brightness Flash Lamp : SWM-474 1 2 3 4

POWER LED : SWM-484 1 2 3 4

※ Recommended product as a replacement of the flash lamp (for longer life span)



SWM-H500



The electric siren and the LED Alarm lamps are integrated into single structure, so it is possible to effectively use the sound and the light at the same time.

The recommended uses of the products include the operational errors of the device, the signal for the provision of the raw material and for stopping it, and delivering a multiple number of signals at the automobile assembly lines or the automated equipment.

The product is composed of 8 channels, and the users are free to choose the ones that suits his/her needs. (Melody two sounds / Buzzer two sounds / Yellow blinking / Yellow Rotating / Red blinking / Red rotating)

There is a volume control switch outside to control the volume.

1 1 : Single Side attachment type 25W Double Side Attachment type 50W

2 2 : Buzzer, 3 : Melody, 4 : Siren

3 3 Color : R, G, Y, B, W

4 4 12VDC, 24VDC, 48VDC, 110VAC, 220VAC

SWS Series

IP 54 301 302 **IP 56** 303 304 305 306 307 308 **IP 65** 501 502

The sound signaler / Medium Load Sound Signaler / Motor Siren



SWS-301 [1] [2]



SWS-302 [1] [2]



SWS-303 [1] [2]



SWS-304 [1] [2]



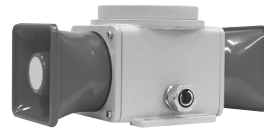
SWS-305 [1] [2]



SWS-306 [1] [2]



SWS-307 [1] [2]



SWS-308 [1] [2]

[1] 2 : Buzzer, 3 : Melody, 4 : Siren

[2] 12VDC, 24VDC, 48VDC, 110VAC, 220VAC

The high output allows the alarm sounds to be heard from a distance.

The body is of casting material, so the vibration due to the high output is reduced.

The body is water tight-so it is recommended for uses in vessels or outdoor installations.

There is a wide range of choice in terms of the capacity in accordance with your needs.



SWS-501 [1]



SWS-502 [1]

[1] 24VDC, 110VAC, 220VAC

Push
Button &
Signalling
Device

Ø8,10,12
Control
Switch

Ø16
Control
Switch

Ø22,25,30
Control
Switch

Cam
Switch

BOX
Switch

Main
Switch

Power Push
Button
Switch

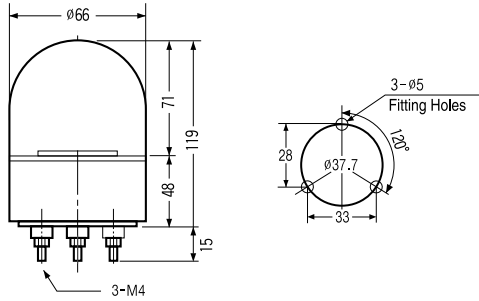
Assembly
Square
Lamp

Signal
Tower

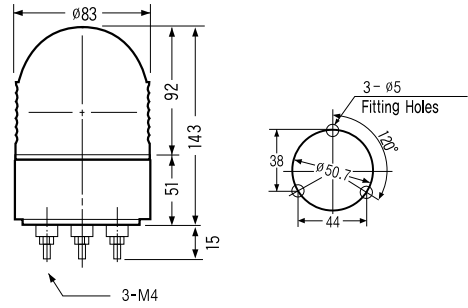
Warning
Light &
Siren

Dimension Unit: mm

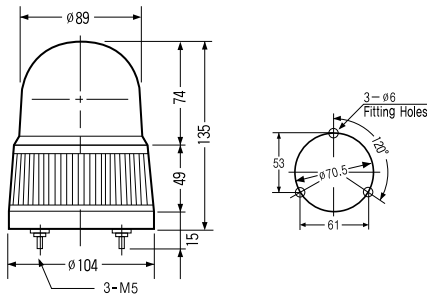
Ø60 Alarm Lamp



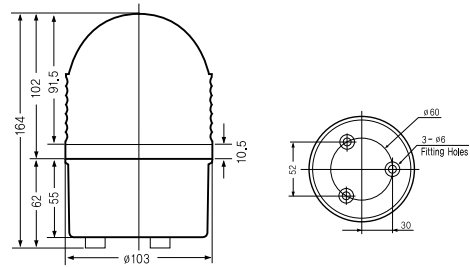
Ø80 Alarm Lamp



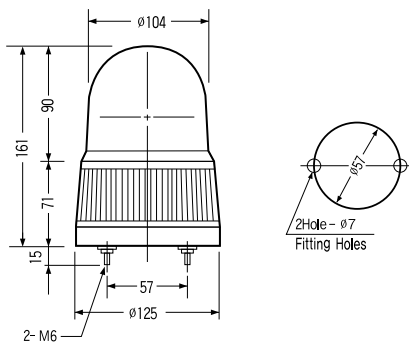
Ø100 Alarm Lamp



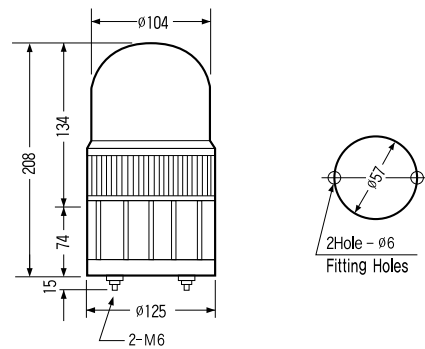
Ø100 LED, Flash Lamp



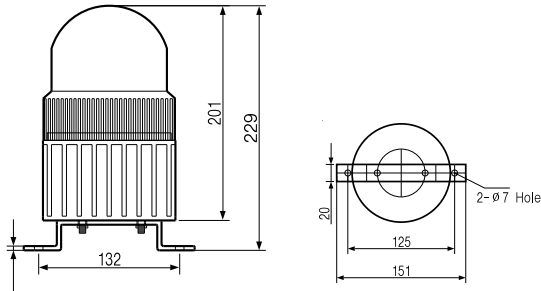
Ø125 Alarm Lamp



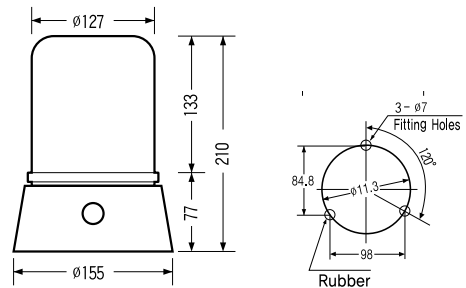
Ø125 European Alarm Lamp



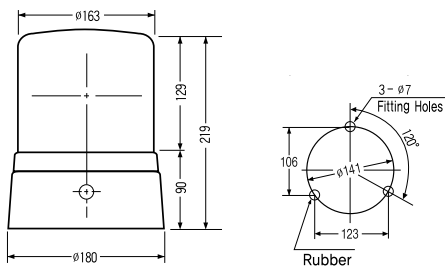
Ø125 Sound Signaler & Rechargeable Alarm Lamp



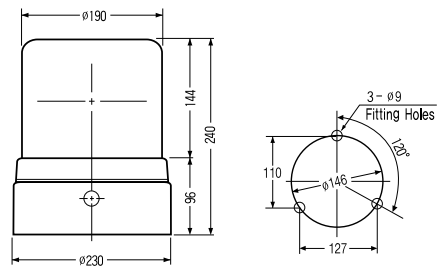
Ø150 Alarm Lamp



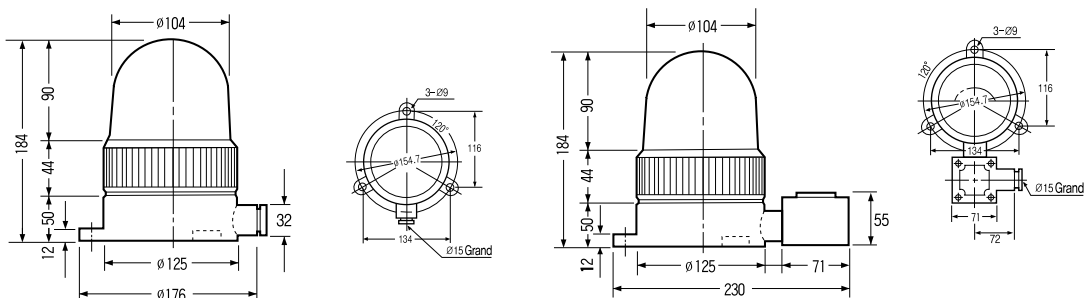
Ø180 Alarm Lamp



Ø230 Alarm Lamp



Ø125 Medium Load Alarm Lamp



Push Button & Signalling Device

Ø8,10,12 Control Switch

Ø16 Control Switch

Ø22,25,30 Control Switch

Cam Switch

BOX Switch

Main Switch

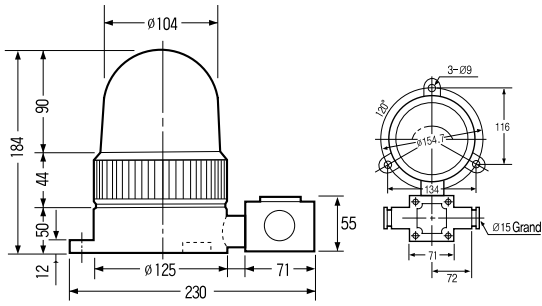
Power Push Button Switch

Assembly Square Lamp

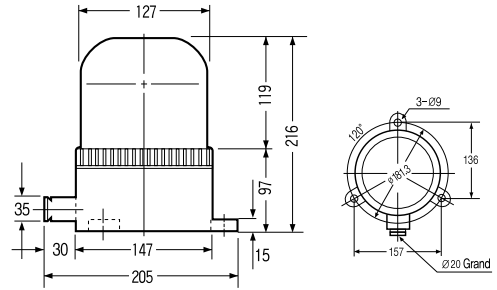
Signal Tower

Warning Light & Siren

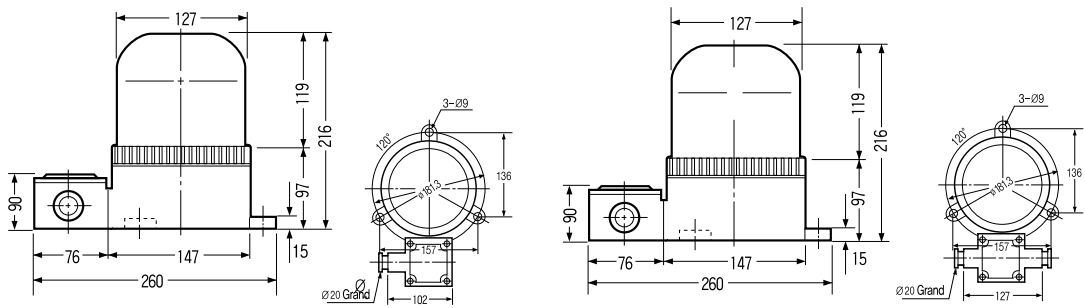
Ø125 Medium Load Alarm Lamp



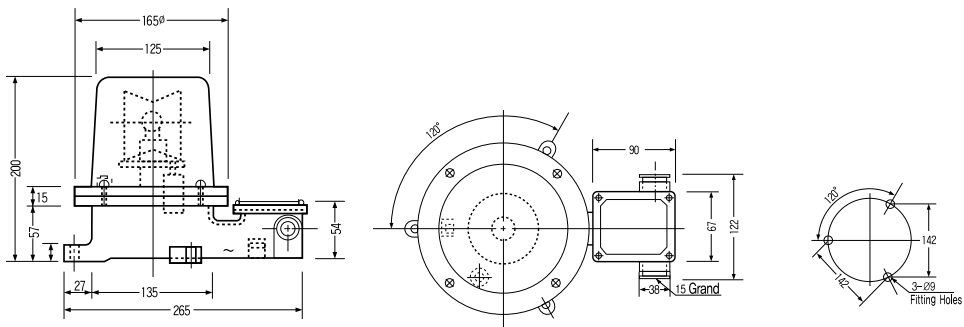
Ø150 Medium Load Alarm Lamp



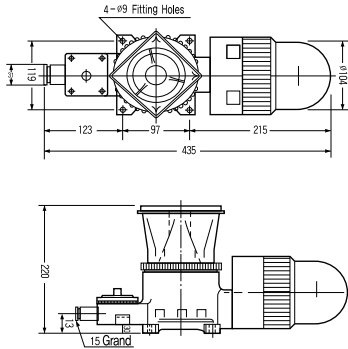
Ø150 Medium Load Alarm Lamp



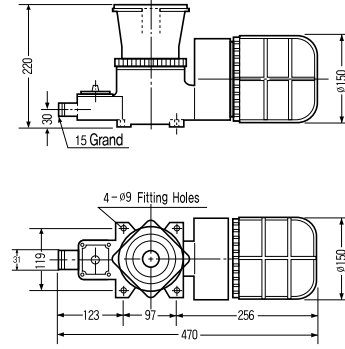
Ø150 special dual-hexagonal Medium Load Alarm Lamp



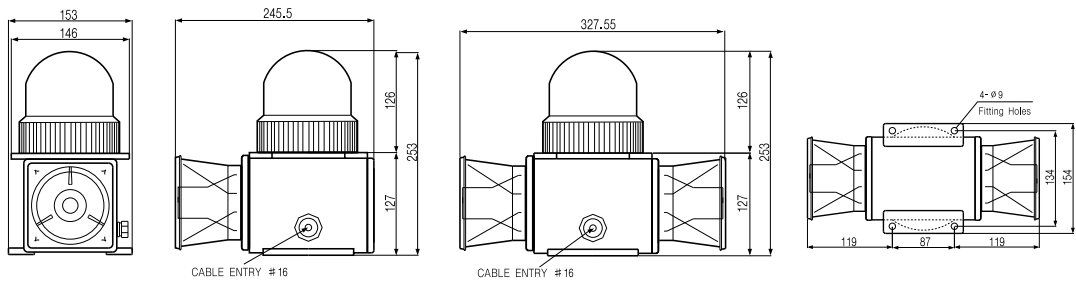
Ø125 Medium Load Alarm Lamp



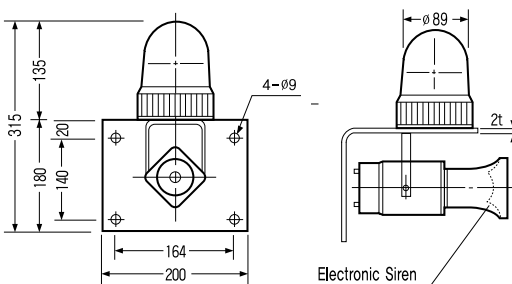
Ø150 Medium Load Alarm Lamp



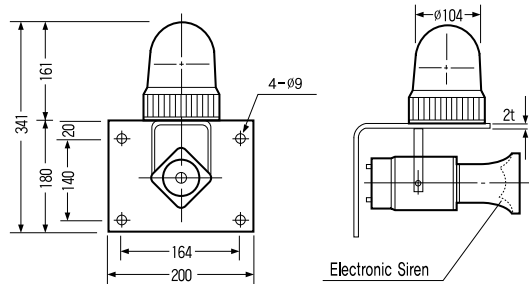
Ø125 Medium Load Alarm Lamp (Single Side Attachment, Double Side Attachment)



Ø100 Other Sound Alarm Lamp



Ø125 Other Sound Alarm Lamp



Push Button & Signalling Device

Ø8,10,12 Control Switch

Ø16 Control Switch

Ø22,25,30 Control Switch

Cam Switch

BOX Switch

Main Switch

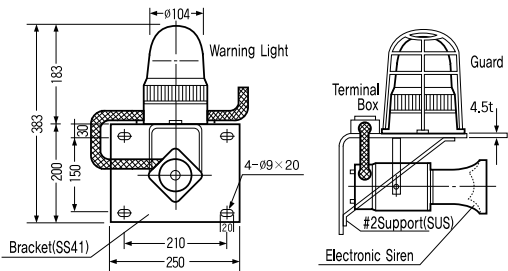
Power Push Button Switch

Assembly Square Lamp

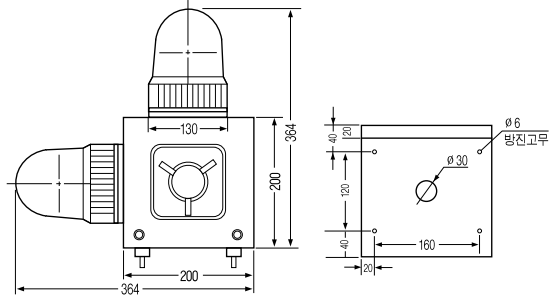
Signal Tower

Warning Light & Siren

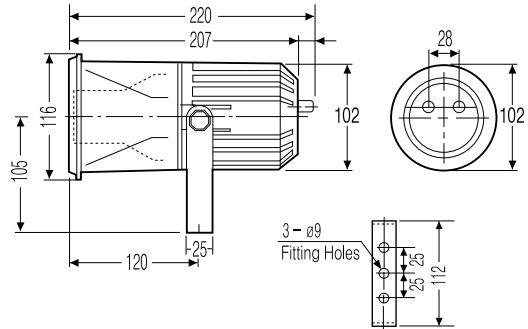
Ø125 Other Medium Load Alarm Lamp



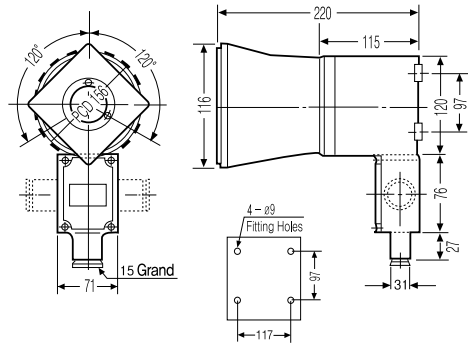
SWM-H500



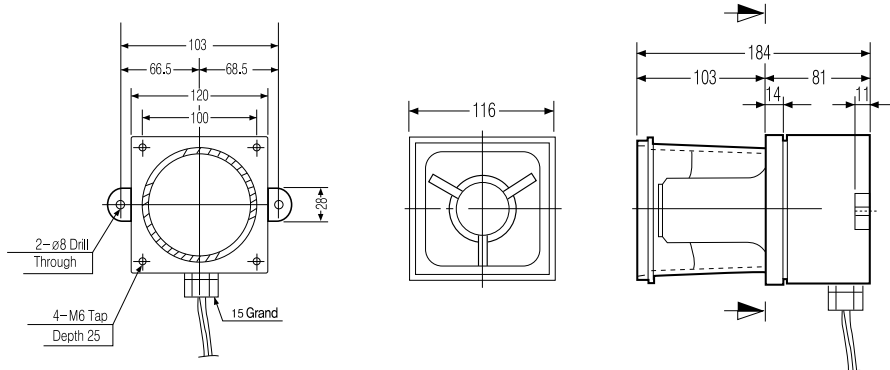
SWS-301



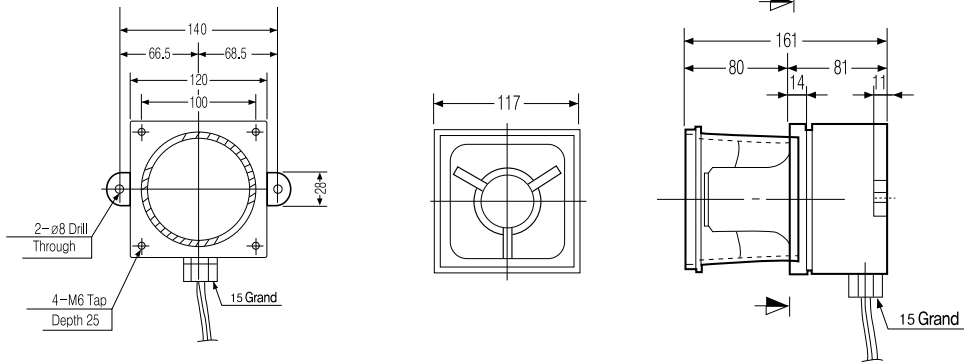
SWS-303



SWS-305



SWS-306



Push Button & Signalling Device

Ø8,10,12 Control Switch

Ø16 Control Switch

Ø22,25,30 Control Switch

Cam Switch

BOX Switch

Main Switch

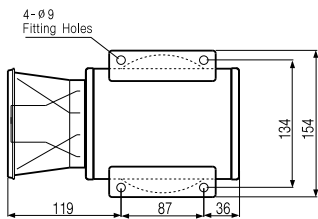
Power Push Button Switch

Assembly Square Lamp

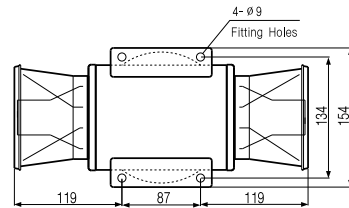
Signal Tower

Warning Light & Siren

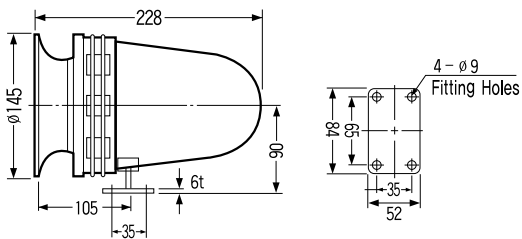
SWS-307



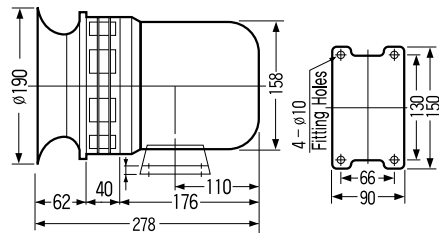
SWS-308



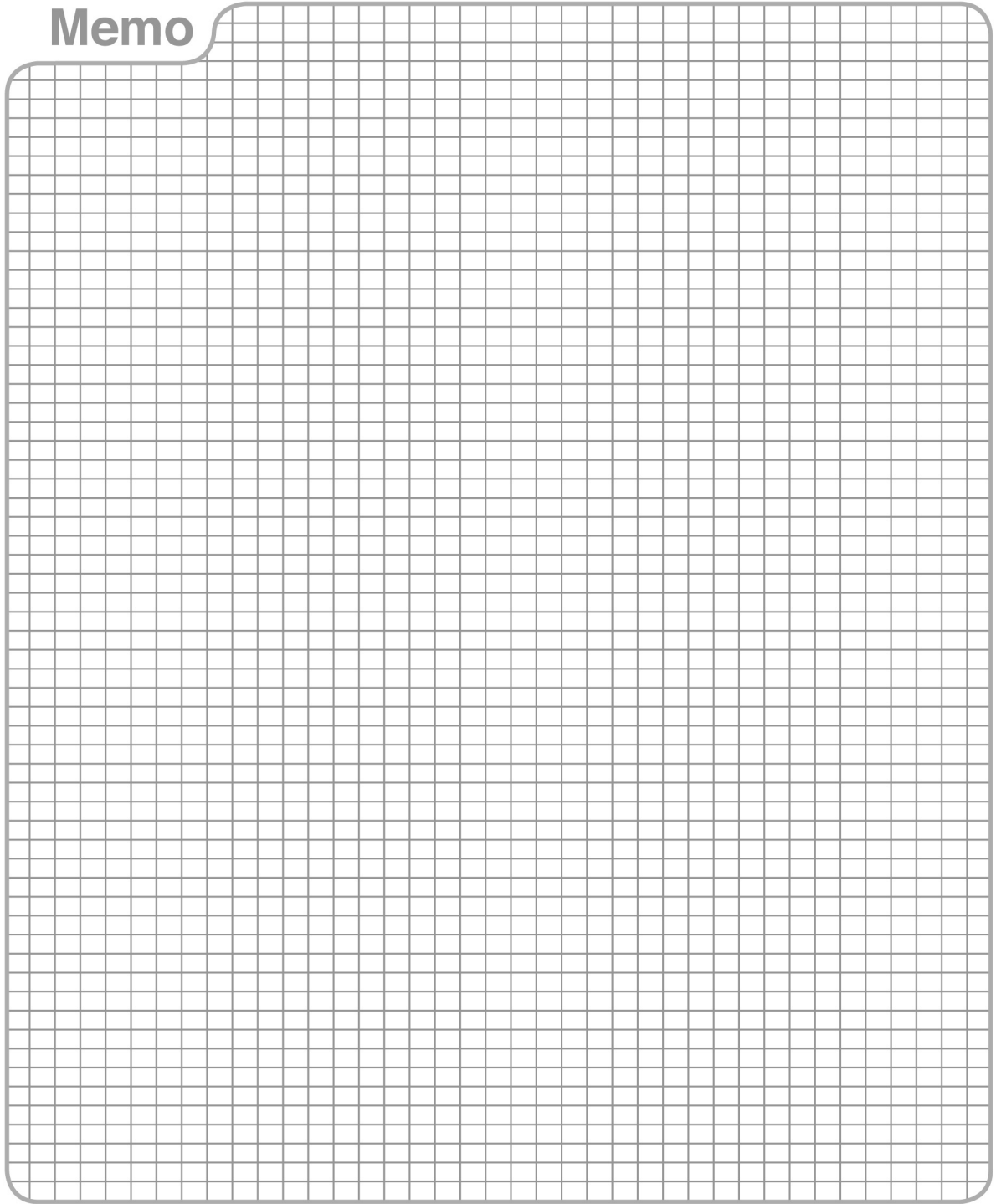
SWS-501



SWS-502



Memo



KACON